

# FM12E

## 12.1" Forklift Mounted Computers with Intel® Elkhart lake x6425E



### KEY FEATURES

- Intel® Elkhart lake x6425E Processor, Windows forklift mounted computers
- 12.1" 1024 x 768 Panel with PCAP Touch
- Field replaceable front panel to reduce service costs
- IP65 waterproof and dustproof
- Wide range operating temperature



### SPECIFICATIONS

| Display               |  |
|-----------------------|--|
| Type                  | Projected Capacitive Multi Touch   |
| Resolution            | 1024x768   |
| Contrast Ratio        | 1000:1   |
| View Angles           | 89,89,89,89  |
| Touch Mode            | Support Hand, Stylus, Glove Mode   |
| Size                  | 12.1 inches  |
| Panel Brightness      | 400 nits<br>800 nits(Optional)   |
| System Specification  |  |
| Processor             | Intel Atom x6425E 2GHz (up to 3GHz)  |
| Memory                | 1 x SO-DIMM, DDR4 3200 MHz, 4GB<br>8GB (Optional)  |
| Storage               | 1 x M.2 2242 SSD 128GB<br>256GB (Optional)   |
| Security              | TPM 2.0  |
| Operating System      | Windows 10 IoT Enterprise (64 bit)   |
| WLAN                  | Support  |
| BT                    | Support  |
| WWAN                  | 4G/LTE (Optional)  |
| GNSS                  | GPS/AGPS   |
| Sensors               | G-Sensor, Light Sensor ,Temp Sensor  |
| Camera                |  |
| Front Camera          | 2MP Camera   |
| Environment           |  |
| Operating Humidity    | 5% to 90% RH, Non-Condensing   |
| Operating Temperature | -30°C to 50°C  |
| Storage Temperature   | -30°C to 60°C  |
| Shock                 | MIL-STD-810H Method 516.8 Procedure I  |
| Vibration             | MIL-STD-810H Method 514.8 Procedure I  |
| IP rating             | IP65   |
| Impact                | Support EN62262 IK07 Rating  |
| ESD                   | Compliant with EN 61000-4-2, enhanced ESD to<br>±12kV direct & ±15kV air                     |
| Certification         |  |
| Certification         | CE, FCC<br>FCC (Electromagnetic Emissions), IC (ICES-003)<br>UL60950-1, EN60950-1, PTCRB     |
| Control               |  |
| Button                | 1 x Power Button, 5 x Function Button<br>(Programmable Function Key Configured by<br>Winset) |
| IO Ports              |  |

|                     |   |
|---------------------|---|
| <b>USB Port</b>     | 1 x USB Type-C(Tablet)<br>1 x DB9 Connector for 2 x USB 2.0 Port(Docking) |
| <b>SD Card Slot</b> | 1 x Micro SD Card Slot(Tablet)  |
| <b>Audio</b>        | 2 x Speaker(Docking)<br>1 x CANBus or 1 x Audio(Docking)                  |
| <b>Indicator</b>    | 4 x LED Indicator<br>(WLAN, UPS battery, HDD, Heater)                     |

|                      |                                     |
|----------------------|-------------------------------------|
| <b>Serial Port</b>   | 2 x COM Port(Docking)               |
| <b>SIM Card Slot</b> | 1 x Dual-Nano SIM Card Slot(Tablet) |
| <b>LAN</b>           | 1 x Gigabit LAN port(Docking)       |
| <b>CANBUS</b>        | 1 x CANBUS / Audio                  |

### Mechanical

|                        |   |                       |                                 |
|------------------------|---|-----------------------|---------------------------------|
| <b>Dimension</b>       | Tablet: 307 x 225 x 41 mm<br>Docking: 202 x 245 x 52 mm | <b>Weight</b>         | Tablet 1.7 kg<br>Docking 1.6 kg |
| <b>Mounting</b>        | RAM Mount/ VESA Mount                                   | <b>Cooling System</b> | Fanless Design                  |
| <b>Docking Housing</b> | Aluminum Alloy Housing                                  |                       |                                 |

### Security Function

|                         |                             |
|-------------------------|-----------------------------|
| <b>SOTI MobiControl</b> | SOTI MobiControl Compliance |
|-------------------------|-----------------------------|

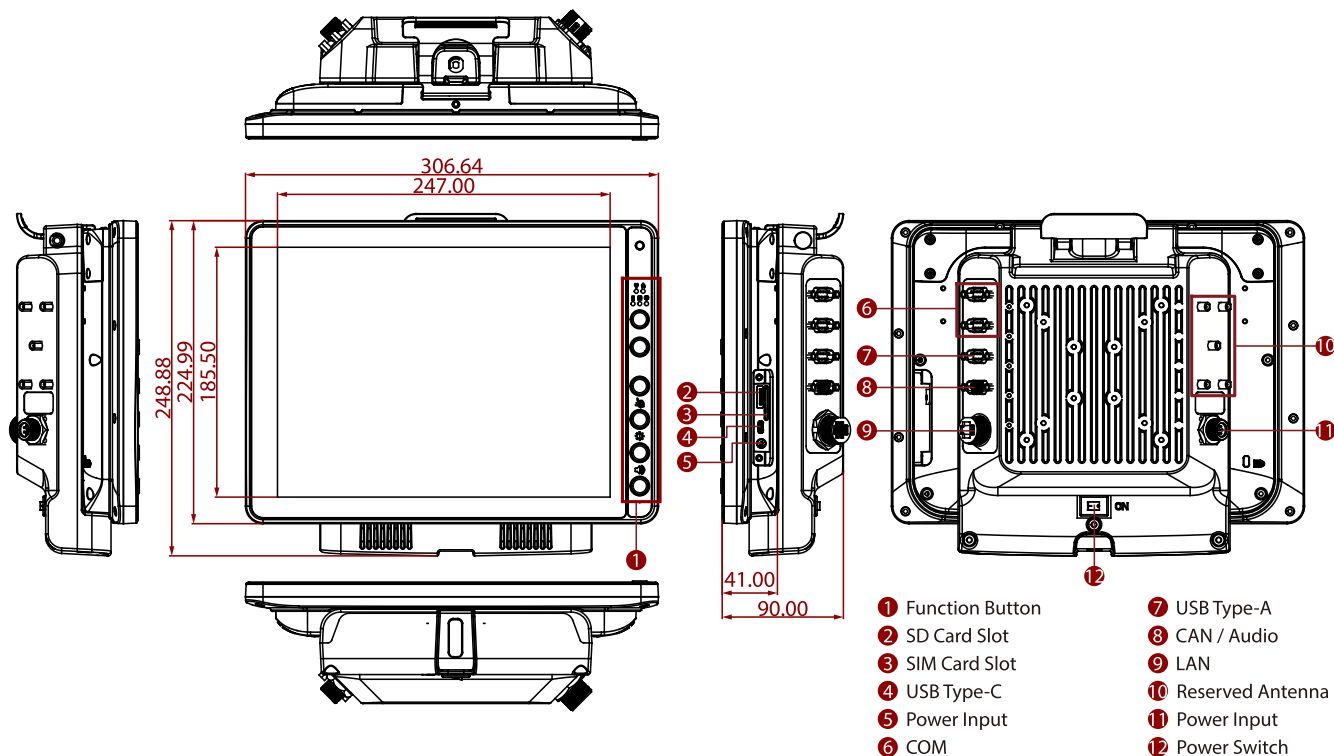
### Accessory

|                  |  |                           |   |
|------------------|--|---------------------------|---|
| <b>Accessory</b> | 5M Power Cable with Fuse Kit<br>0.3M USB Cable<br>0.15M Power Converter Cable<br>DC Jack Power Cable<br>84W Adapter with power cable<br>Cable Clamp Kit<br>Wi-Fi Antenna x 2<br>Quick Start Guide<br>External Antenna Fixing Bracket<br>Dock + Latch Locking Key<br>Stylus Kit + Screw | <b>Optional Accessory</b> | 1.8M RS232 Cable<br>0.3M Audio Cable<br>1.8M CAN BUS Cable<br>1.8M CAN BUS Open Wire Cable<br>2M IP65 LAN Cable<br>GPS & LTE 2M Combo Antenna(VM240)<br>GPS & LTE 5M Combo Antenna (VM9C)<br>Magnetic Combo Antenna (VM10S)<br>WWAN Antenna |
|------------------|--|---------------------------|---|

### Power

|                    |   |                     |   |
|--------------------|---|---------------------|---|
| <b>Battery</b>     | 7.6V UPS Battery (2S1P)<br>Minimum 30 minutes | <b>Power Rating</b> | Docking: 10V-60V with ignition control<br><br>Tablet: 12V DC In |
| <b>Consumption</b> | 45W (Typical)                                 |                     |   |

## DIMENSIONS UNIT:MM



## NOTE

1. Total usable memory will be less dependent upon actual system configuration.
2. SOTI is available upon request.
3. Length measurements do not include protrusions. Weight varies with options.
4. Measured at dimming LCD brightness. Varies depending on the usage conditions, or when an external device is attached.
5. Accessories may vary depending on your configuration.
6. This is a simplified drawing and some components are not marked in detail.
7. The product shown in this datasheet is a standard model. For diagrams that contain customized or optional I/O, please contact the Winmate Sales Team for more information.
8. COM port can supply 5V power via the 9th pin.

# Tento produkt můžete zakoupit u společnosti AutoCont IPC a.s.



## AutoCont IPC a.s.

Váš dodavatel průmyslových počítačů, komponent a speciálních průmyslových IT systémů.

 Uhlířská 1064/3, 710 00 Ostrava, Česká republika

 obchod@autocont-ipc.cz

 +420 552 301 002

 [www.autocont-ipc.cz](http://www.autocont-ipc.cz)



### PRŮMYSLOVÉ POČÍTAČE

*fanless embedded PC, do racku, ...*



### POČÍTAČE S DISPLEJEM

*panelové PC, terminály, do vozidel, ...*



### AUTOMATIZACE A SBĚR DAT

*převodníky, karty, moduly, switche, ...*



### PERIFERIE A KOMPONENTY

*monitory, klávesnice, desky, skříně, ...*



### NOTEBOOKY A TABLETY

*odolné, windows, android, IP65, ...*



### INFORMAČNÍ KIOSKY

*interiérové, venkovní, ...*



### MEDICÍNSKÁ TECHNIKA

*počítače, tablety, LCD, klávesnice, ...*



### SOFTWAREVÁ ŘEŠENÍ

*pro výrobu, zaměstnance, kiosky, ...*



### PŘEJÍT DO E-SHOPU

[eshop.autocont-ipc.cz](http://eshop.autocont-ipc.cz)



### DOPRAVA ZDARMA

Doprava zdarma v ČR a SR při objednávce nad 10 000 Kč bez DPH nebo nad 400 EUR.



### PRODLOUŽENÁ ZÁRUKA

Záruka 2 roky na vyráběné počítače s možností jejího prodloužení až na 5 let.



### ODMĚNA ZA VĚRNOST

Pravidelní zákazníci u nás nakupují za nižší ceny. Výše slevy se odvíjí od realizovaného obrátu.



### SERVIS ON-SITE A IN-TIME

K projektovým dodávkám nabízíme rozšířenou podporu a servis s garancí výměny zařízení do 48 hodin.