

# FM10E-V

## 10.4inch Windows Vehicle Mounted Terminal with Intel® Elkhart lake x6425E



### KEY FEATURES

- Intel® Elkhart lake x6425E Processor, Windows Vehicle Mounted Terminal
- 10.4" 1024 x 768 Panel with PCAP touch screen
- IP65 waterproof and dustproof
- Wide power input 10-60V DC with ignition
- Wide range operating temperature
- Support VESA Mount



### SPECIFICATIONS

| Display              |  |                       |  |
|----------------------|--|-----------------------|--|
| Resolution           | 1024x768   | Size                  | 10.4 inches  |
| Contrast Ratio       | 1200:1   | Panel Brightness      | 400 nits<br>800 nits(Optional)   |
| View Angles          | 88,88,88,88  | Type                  | Projected Capacitive Multi Touch   |
| Touch Mode           | Support Hand, Stylus, Glove Mode   |                       |  |
| System Specification |  |                       |  |
| Processor            | Intel Atom x6425E 2GHz (up to 3GHz)  | Memory                | 1 x SO-DIMM, DDR4 3200 MHz, 4GB<br>8GB (Optional)                        |
| Storage              | 1 x M.2 2242 SSD 128GB<br>256GB (Optional)   | Security              | TPM 2.0  |
| Operating System     | Windows 10 IoT Enterprise (64 bit)   | WLAN                  | Support  |
| BT                   | Support  | WWAN                  | 4G/LTE (Optional)  |
| GNSS                 | GPS/GLONASS (Optional)   | Sensors               | G-Sensor, Light Sensor ,Temp Sensor                                      |
| Camera               |  |                       |  |
| Front Camera         | 2MP Camera   |                       |  |
| Environment          |  |                       |  |
| Operating Humidity   | 5% to 90% RH, Non-Condensing   | Operating Temperature | -30°C to 50°C  |
| Storage Temperature  | -30°C to 60°C  | Shock                 | MIL-STD-810H Method 516.8 Procedure I                                    |
| Vibration            | MIL-STD-810H Method 514.8 Procedure I  | IP rating             | IP65   |
| Impact               | Support EN62262 IK07 Rating  | ESD                   | Compliant with EN 61000-4-2, enhanced ESD to<br>±12kV direct & ±15kV air |
| Certification        |  |                       |  |
| Certification        | CE, FCC<br>FCC (Electromagnetic Emissions), IC (ICES-003)<br>UL60950-1, EN60950-1, PTCRB     |                       |  |
| Control              |  |                       |  |
| Button               | 1 x Power Button, 6 x Function Button<br>(Programmable Function Key Configured by<br>Winset) |                       |  |
| IO Ports             |  |                       |  |

|                     |  |                      |   |
|---------------------|--|----------------------|---|
| <b>USB Port</b>     | 1 x USB Type-C<br>1 x USB 2.0 Type-A                                       | <b>Serial Port</b>   | 2 x RS232/422/485 (Default RS232)                         |
| <b>SD Card Slot</b> | 1 x Micro SD Card Slot   | <b>SIM Card Slot</b> | 1 x Dual-Nano SIM Card Slot                               |
| <b>Audio</b>        | 1 x Audio(Mic in & Line Out) either one with DIDO (Optional)               | <b>LAN</b>           | 1 x Gigabit LAN port<br>PSE (IEEE 802.3at 30W) (Optional) |
| <b>Indicator</b>    | 6 x LED Indicator<br>(WLAN, BT, UPS battery, HDD, Screen Blanking, Heater) | <b>DIDO</b>          | 1 x DIDO (2XDI ; 2XDO) either one with Audio (Optional)   |
| <b>CANBUS</b>       | 1 x CANBUS (Optional)  |                      |   |

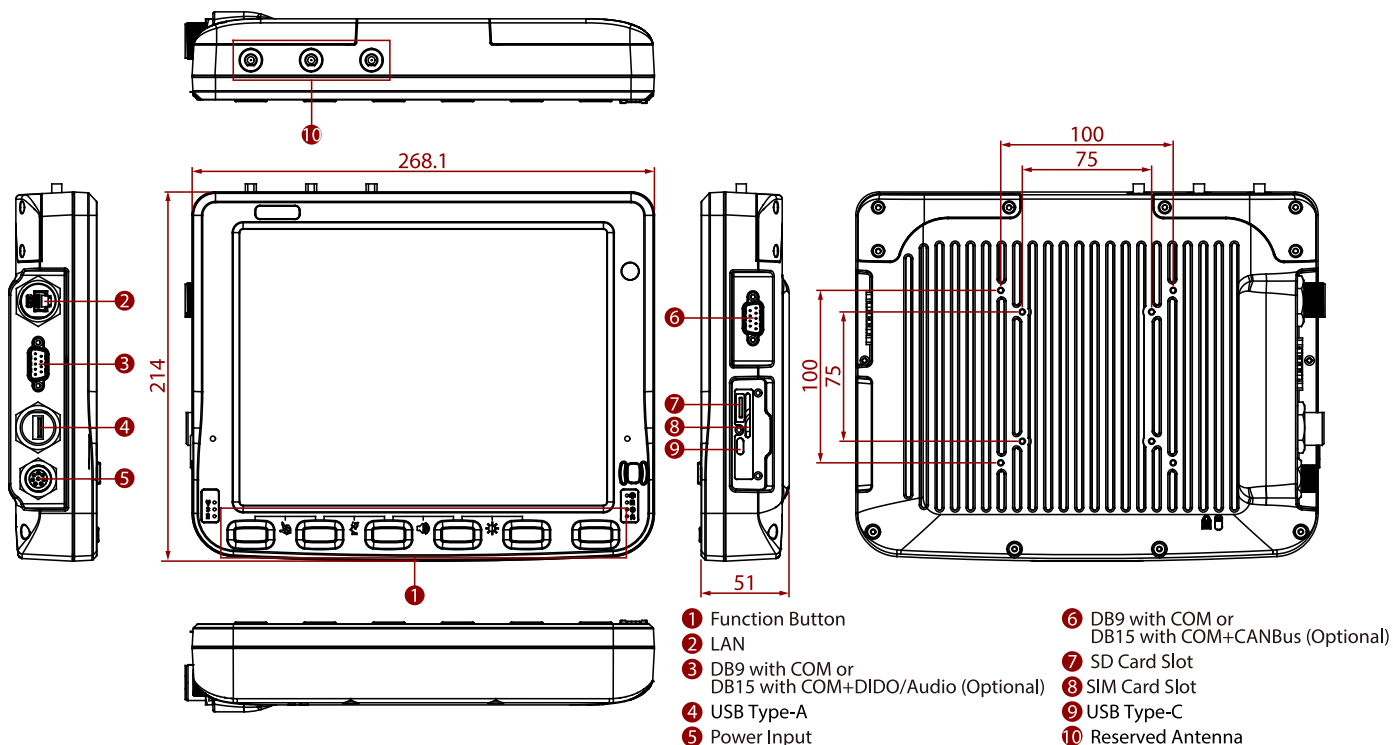
|                   |                     |                       |                |
|-------------------|---------------------|-----------------------|----------------|
| <b>Mechanical</b> |                     |                       |                |
| <b>Dimension</b>  | 268.1 x 214 x 51 mm | <b>Weight</b>         | 2.4kg          |
| <b>Mounting</b>   | VESA Mount          | <b>Cooling System</b> | Fanless Design |

|                          |                             |  |  |
|--------------------------|-----------------------------|--|--|
| <b>Security Function</b> |                             |  |  |
| <b>SOTI MobiControl</b>  | SOTI MobiControl Compliance |  |  |

|                  |   |                           |   |
|------------------|---|---------------------------|---|
| <b>Accessory</b> |   |                           |   |
| <b>Accessory</b> | 1.8M Power Cable with Fuse Kit<br>0.15M Power Converter Cable<br>DC Jack Power Cable<br>84W Adapter with power cable<br>Quick Start Guide | <b>Optional Accessory</b> | Stylus Kit + Screw<br>1.8M RS232 Cable<br>2M IP65 LAN Cable<br>GPS & LTE 5M Combo Antenna (VM9C)<br>GPS & LTE Magnetic Combo Antenna (VM10S)<br>GPS Antenna<br>WWAN Antenna<br>2M Waterproof USB Type-A to A Cable<br>Cable Clamp Kit<br>COM Port + CANBus Cable<br>COM Port + DIDO Cable |

|                    |   |                     |                               |
|--------------------|---|---------------------|-------------------------------|
| <b>Power</b>       |   |                     |                               |
| <b>Battery</b>     | 400mAh UPS Battery for 20 minutes backup (Optional) | <b>Power Rating</b> | 10V~60V with ignition control |
| <b>Consumption</b> | 45W (Typical)                                       |                     |                               |

## DIMENSIONS UNIT:MM



## NOTE

1. Total usable memory will be less dependent upon actual system configuration.
2. SOTI is available upon request.
3. Length measurements do not include protrusions. Weight varies with options.
4. Measured at dimming LCD brightness. Varies depending on the usage conditions, or when an external device is attached.
5. Accessories may vary depending on your configuration.
6. This is a simplified drawing and some components are not marked in detail.
7. The product shown in this datasheet is a standard model. For diagrams that contain customized or optional I/O, please contact the Winmate Sales Team for more information.
8. COM port can supply 5V power via the 9th pin.
9. The UPS battery is only expected to use for backup under low system loading and without I/O function.

# Tento produkt můžete zakoupit u společnosti AutoCont IPC a.s.



## AutoCont IPC a.s.

Váš dodavatel průmyslových počítačů, komponent a speciálních průmyslových IT systémů.

 Uhlířská 1064/3, 710 00 Ostrava, Česká republika

 [obchod@autocont-ipc.cz](mailto:obchod@autocont-ipc.cz)

 +420 552 301 002

 [www.autocont-ipc.cz](http://www.autocont-ipc.cz)



### PRŮMYSLOVÉ POČÍTAČE

*fanless embedded PC, do racku, ...*



### POČÍTAČE S DISPLEJEM

*panelové PC, terminály, do vozidel, ...*



### AUTOMATIZACE A SBĚR DAT

*převodníky, karty, moduly, switche, ...*



### PERIFERIE A KOMPONENTY

*monitory, klávesnice, desky, skříně, ...*



### NOTEBOOKY A TABLETY

*odolné, windows, android, IP65, ...*



### INFORMAČNÍ KIOSKY

*interiérové, venkovní, ...*



### MEDICÍNSKÁ TECHNIKA

*počítače, tablety, LCD, klávesnice, ...*



### SOFTWAREVÁ ŘEŠENÍ

*pro výrobu, zaměstnance, kiosky, ...*



### PŘEJÍT DO E-SHOPU

[eshop.autocont-ipc.cz](http://eshop.autocont-ipc.cz)



### DOPRAVA ZDARMA

Doprava zdarma v ČR a SR při objednávce nad 10 000 Kč bez DPH nebo nad 400 EUR.



### PRODLOUŽENÁ ZÁRUKA

Záruka 2 roky na vyráběné počítače s možností jejího prodloužení až na 5 let.



### ODMĚNA ZA VĚRNOST

Pravidelní zákazníci u nás nakupují za nižší ceny. Výše slevy se odvíjí od realizovaného obrátu.



### SERVIS ON-SITE A IN-TIME

K projektovým dodávkám nabízíme rozšířenou podporu a servis s garancí výměny zařízení do 48 hodin.