

# R15IE3S-67C3(HB)

## 15" Intel® Celeron® N6211 G-WIN Full IP67 Panel PC



### KEY FEATURES

- Intel® Celeron® N6211 Processor 1.5M Cache, up to 2.60 GHz, Fanless Design
- High Quality 15" Panel, 1024 x 768 resolution, 300 nits (Optional for 1000 nits)
- IP67 Dust/ Water proof design with VESA mount
- Aluminum Die-Casting Housing with Anti-Corrosion Treatments
- Build in ambient Light sensor
- 9~ 36V DC Isolation Wide Range Power Input. Optional Ignition on/off control function
- 5 Wire Resistive Touch / Anti-Reflective Protection Glass (Optional)
- Optional HB/Sunlight Readable up to 1000 nits
- Design to meet EN50155, 15inch Full IP67 Panel PC

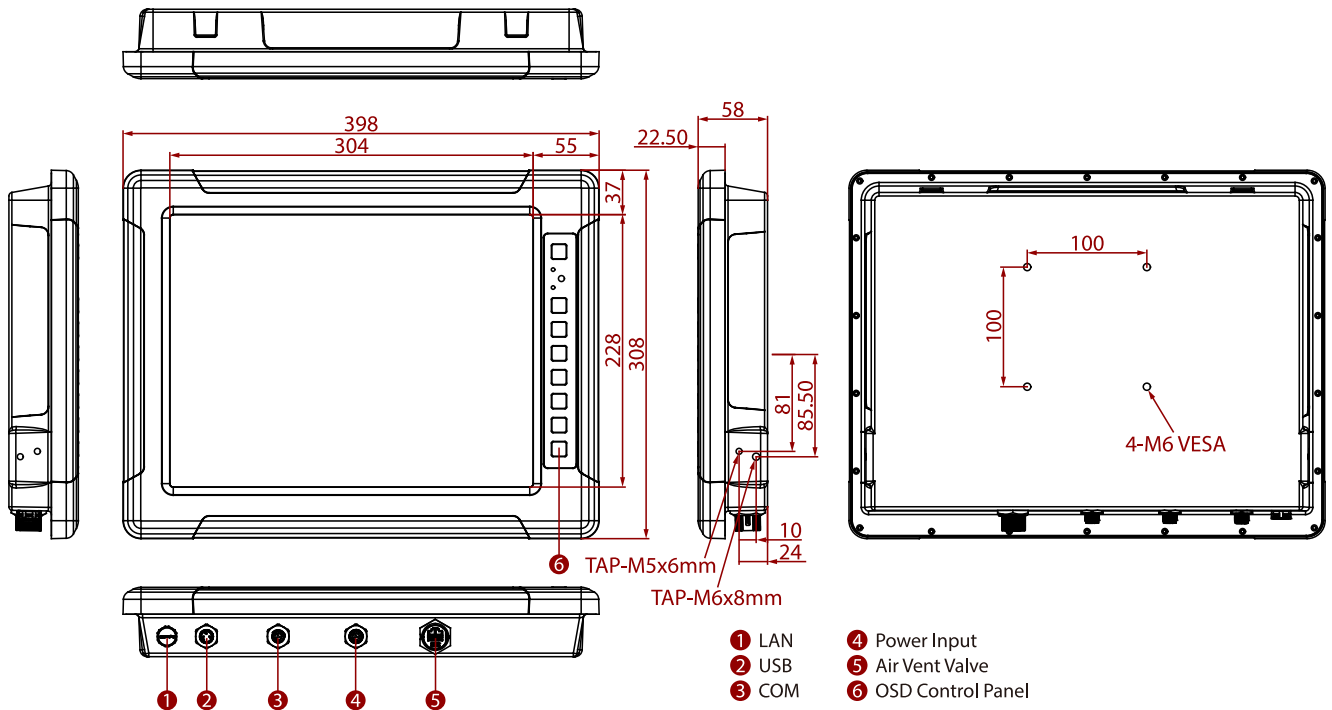


### SPECIFICATIONS

| System Specification       |   |                              |   |
|----------------------------|---|------------------------------|---|
| <b>WLAN</b>                | Support (Optional)  | <b>BT</b>                    | Support (Optional)  |
| <b>Processor</b>           | Intel® Celeron® N6211 (1.5M Cache, up to 3.0GHz)<br>Intel® Celeron® N6210 (1.5M Cache, up to 2.6GHz) (Optional) | <b>Memory</b>                | 1 x SO-DIMM, DDR4 3200 MHz, 4GB<br>8GB (Optional)<br>16GB (Optional)  |
| <b>Storage</b>             | 1 x M.2 2242 B-key SSD 128GB<br>M.2 2242 B-key SSD up to 512GB (Optional)                                       | <b>Ethernet controller</b>   | 2 x Intel® Ethernet Controller  |
| <b>Security</b>            | TPM 2.0   | <b>Operating System</b>      | Windows 11 IoT Enterprise SAC (64 bit) (Optional)<br>Windows 10 IoT Enterprise (64 bit) (Optional)<br>Linux Ubuntu 22.04 (Optional) |
| Display                    |   |                              |   |
| <b>Resolution</b>          | 1024x768  | <b>Size</b>                  | 15 inches   |
| <b>Contrast Ratio</b>      | 2000:1  | <b>Panel Brightness</b>      | 300 nits  |
| <b>View Angles</b>         | 88,88,88,88   | <b>Active Area</b>           | 304.1x228.1 mm  |
| <b>Touch / Glass</b>       | Resistive Touch Screen Bonding With Panel Protection Glass Without touch function (Optional)                    | <b>Optional function</b>     | High brightness Panel for sunlight readable (Optional)  |
| Mechanical                 |   |                              |   |
| <b>Dimension</b>           | 398 x 308 x 58 mm   | <b>Mounting</b>              | VESA Mount<br>Yoke Mount  |
| <b>Enclosure</b>           | Aluminum Housing  | <b>Cooling System</b>        | Fanless design  |
| Environment                |   |                              |   |
| <b>Operating Humidity</b>  | 10% to 90% RH, Non-Condensing   | <b>Operating Temperature</b> | -10°C to 55°C<br>-40°C to 70°C (with intelligent heater)  |
| <b>Storage Temperature</b> | -30°C to 70°C   | <b>Shock</b>                 | MIL-STD-810G Method 516.6 Procedure I (Optional)  |
| <b>Vibration</b>           | MIL-STD-810G Method 514.6 Procedure I   | <b>IP rating</b>             | IP67  |
| Certification              |   |                              |   |
| <b>Certification</b>       | CE, FCC   |                              |   |
| IO Ports                   |   |                              |   |

|                    |  |                           |   |
|--------------------|--|---------------------------|---|
| <b>Power Input</b> | 1 x M12 waterproof connector for 9~36V DC  | <b>USB Port</b>           | 1 x M12 waterproof connector for 2 x USB2.0   |
| <b>Serial Port</b> | 1 x M12 waterproof connector for RS232   | <b>LAN</b>                | 1 x waterproof Giga LAN RJ45 connector  |
| <b>Indicator</b>   | 1 x LED Indicator for power<br>1 x LED Indicator for storage   |                           |   |
| <b>Control</b>     |  |                           |   |
| <b>Button</b>      | 1 x Power Button<br>1 x Reset Button<br>1 x Lock / Unlock front key function button<br>1 x Auto Dimming / Manually button<br>1 x Day / Night Mode button<br>1 x Brightness Up button<br>1 x Brightness Down button<br>1 x LED indicator brightness adjustment button<br>1 x Light sensor |                           |   |
| <b>Accessory</b>   |  |                           |   |
| <b>Accessory</b>   | External open wire Power cable with waterproof connector<br>External USB cable with waterproof connector<br>External COM cable with waterproof connector<br>External LAN cable with waterproof connector<br>Waterproof caps<br>RJ45 female-female converter<br>VESA screws               | <b>Optional Accessory</b> | Yoke mount stand (Optional)<br>100~240V AC to DC Adapter with power cord (Optional) |

## DIMENSIONS UNIT:MM



## NOTE

1. This is a simplified drawing and some components are not marked in detail.
3. Weight of the device varies by configuration.
4. Please contact our sales representative if you need further product information.
5. All specifications are subject to change without prior notice.
6. The product shown in this datasheet is a standard model. For diagrams that contain customized or optional I/O, please contact the Winmate Sales Team for more information.

# Tento produkt můžete zakoupit u společnosti AutoCont IPC a.s.



## AutoCont IPC a.s.

Váš dodavatel průmyslových počítačů, komponent a speciálních průmyslových IT systémů.

 Uhlířská 1064/3, 710 00 Ostrava, Česká republika

 obchod@autocont-ipc.cz

 +420 552 301 002

 [www.autocont-ipc.cz](http://www.autocont-ipc.cz)



### PRŮMYSLOVÉ POČÍTAČE

fanless embedded PC, do racku, ...



### POČÍTAČE S DISPLEJEM

panelové PC, terminály, do vozidel, ...



### AUTOMATIZACE A SBĚR DAT

převodníky, karty, moduly, switche, ...



### PERIFERIE A KOMPONENTY

monitory, klávesnice, desky, skříně, ...



### NOTEBOOKY A TABLETY

odolné, windows, android, IP65, ...



### INFORMAČNÍ KIOSKY

interiérové, venkovní, ...



### MEDICÍNSKÁ TECHNIKA

počítače, tablety, LCD, klávesnice, ...



### SOFTWAREVÁ ŘEŠENÍ

pro výrobu, zaměstnance, kiosky, ...



### PŘEJÍT DO E-SHOPU

[eshop.autocont-ipc.cz](http://eshop.autocont-ipc.cz)



### DOPRAVA ZDARMA

Doprava zdarma v ČR a SR při objednávce nad 10 000 Kč bez DPH nebo nad 400 EUR.



### PRODLOUŽENÁ ZÁRUKA

Záruka 2 roky na vyráběné počítače s možností jejího prodloužení až na 5 let.



### ODMĚNA ZA VĚRNOST

Pravidelní zákazníci u nás nakupují za nižší ceny. Výše slevy se odvíjí od realizovaného obrátu.



### SERVIS ON-SITE A IN-TIME

K projektovým dodávkám nabízíme rozšířenou podporu a servis s garancí výměny zařízení do 48 hodin.