

# M101RKL 10.1-inch Rugged Tablet PC

A Rugged Tablet that Can Survive Any Environment and Get Real Work Done

M101RKL is a rugged tablet PC with a robust set of features designed to withstand industrial use while providing high tech solutions that increase productivity, improve safety, and reduce operational costs. The processing power comes from a Dual-core Cortex-A72 + Quad-core Cortex-A53 processor for high performance. The tablet features a brilliant direct optical bonded, projected capacitive touch screen, which is outdoor viewable and offers a 1280 x 800 pixel resolution. Weighing at just 2.18 pounds (990 grams), the M101RKL delivers lightweight mobility in a rugged tablet.



## Highlights

- High performance Dual-core Cortex-A72 up to 2.0GHz  
+ Quad-core Cortex-A53 up to 1.5GHz
- 10.1" 1280 x 800 LED Panel with P-Cap Touch
- Android 7.1
- IP65 water and dust proof
- Dual Camera Design: 8MP Main camera with LED flash / 2MP Webcam
- MIL-STD-810G Shock / Drop / Vibration Compliant
- Optional Barcode Reader

Order Information		
	LTE	1D/2D Barcode Reader
M101RKL	N/A	N/A
M101RKL-BM	N/A	Default
M101RKL-4E	Default	N/A
M101RKL-4EBM	Default	Default

# M101RKL 10.1-inch Rugged Tablet PC

A Rugged Tablet that Can Survive Any Environment and Get Real Work Done

## Display Specification

Size	10.1-inch LED backlight
Resolution	1280 x 800
Brightness	350 nit With Optical Bonding for Sunlight Readability
Touch	Multi-Touch Projected Capacitive
Contrast Ratio	800:1
Viewing Angle Technology	85/85/85/85 <ul style="list-style-type: none"><li>• Anti reflective and anti-glare technology (Optional)</li><li>• Automatic screen rotation</li></ul>
Sensors	Light Sensor / G-Sensor / Gyroscope / E-Compass

## System Specification

Processor	Dual-core Cortex-A72 up to 2.0GHz + Quad-core Cortex-A53 up to 1.5GHz
System Memory	2GB <sup>1</sup>
Storage	16GB eMMC
Operating System	Android 7.1

## Wireless Communication

WLAN	802.11 a/b/g/n/ac
Bluetooth	Bluetooth 4.2
GPS	Supports GPS
WWAN (Optional)	GSM/UMTS/LTE

## Interface

Docking Connector	1 x 19-pin docking connector
HDMI	1 x Micro HDMI
USB	1 x USB 3.0 Type C (OTG) 1 x USB 3.0 Type A
Power Input	1 x Power Jack
Micro SD	1 x Micro SD Slot
Audio Connector	1 x Audio Combo Conn. (Mic in / Line Out)

## Keyboard and Input

Touch	<ul style="list-style-type: none"><li>• 10-point multi-touch</li><li>• supports Rain, Stylus, Glove Mode</li></ul>
Button	1 x Power, 1 x Home, 1 x Back, 1 x Menu, 1 x Volume Up, 1 x Volume Down
LED Indicators	1 x Status Indicator

## Audio

Microphone	1 x Built-in Mic
Speaker	2 x Built-in 1W Speaker

## Cameras

Web Camera	2 MP Camera with built-in microphone
Rear Camera	8MP Auto-Focus Camera with LED Flash

## Data Capture

Barcode (Optional)	1D/2D Barcode Reader
RFID (Optional)	NFC Reader

## Security Function

Security Function	Kensington Lock
-------------------	-----------------

## Mechanical and Environment

Dimension (W x L x H)	271.67 x 198.2 x 21 mm (10.7 x 7.8 x 0.83 inches) <sup>2</sup>
Weight	990 grams (2.18 lbs)
Operating Temperature	AC Mode -20°C to 60°C (-4°F to 140°F) Battery mode -10°C to 50°C (14°F to 122°F) <sup>3</sup>
Storage Temperature	-20°C to 60°C (-4°F to 140°F)
Humidity	30% to 90% RH, non-condensing
IP Proof	IP65
Shock	MIL-STD-810G Method 516.6 Procedure I
Vibration	MIL-STD-810G Method 514.6 Procedure I
Drop	MIL-STD-810G Method 516.6 Procedure I, 4 ft to concrete <sup>3</sup>

## Power Management

Power Input	19V DC in
Battery	7.4V, typ. 5300 mAh, min. 5140 mAh Li-Polymer Battery (2S1P)
Battery Operating Time	Standard Battery: 8 hours <sup>4</sup>
Adapter	110-240 AC to 19V DC out Power Adapter

## Accessories

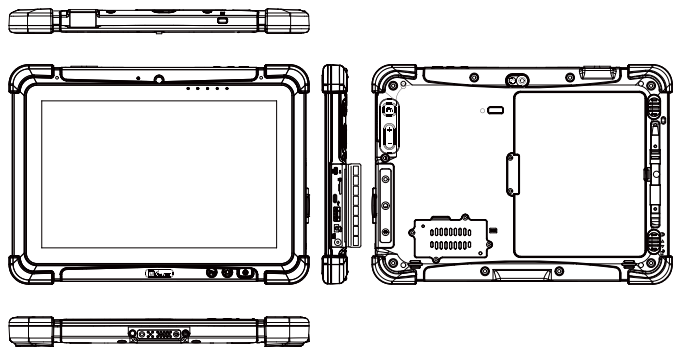
### Standard Accessories

Adapter and Power Cord	922D065W19V1
Standard Battery	98K000A0003R
Capacitive Stylus	9B000000001D

### Optional Accessories <sup>5</sup>

Desk Dock	98K000A00052
VESA Mount Kit.	98K000A00030
Vehicle Dock (without VGA output)	98K000A00051
Battery Charger	98KT00A0000F
Hand Strap	98K000A0003J
Shoulder Strap	98K000A0003Q
Carry Bag	9B000000003J
Mobile Printer MX20	9B000000007B
Mobile Printer MX30	9B000000007A

### Drawing <sup>6</sup>



#### Caution

Do Not Expose the Battery Pack to Excessive Heat, or Extreme Heat (Near Fire, in Direct Sunlight for example)  
Do not expose bare skin to this product when handling this unit in extreme hot or cold environments

1. Total usable memory will be less depending upon actual system configuration.
2. Length measurements do not include protrusions. Weight varies with options.
3. The drop test with high-capacity battery must come with hand strap.
4. Measured at dimming LCD brightness. Varies depending on the usage conditions, or when an external device is attached.
5. Accessories may vary depending on your configuration.
6. This is a simplified drawing and some components are not marked in detail.

# Tento produkt můžete zakoupit u společnosti AutoCont IPC a.s.



## AutoCont IPC a.s.

Váš dodavatel průmyslových počítačů, komponent a speciálních průmyslových IT systémů.

 Uhlířská 1064/3, 710 00 Ostrava, Česká republika

 obchod@autocont-ipc.cz

 +420 552 301 002

 [www.autocont-ipc.cz](http://www.autocont-ipc.cz)



### PRŮMYSLOVÉ POČÍTAČE

*fanless embedded PC, do racku, ...*



### POČÍTAČE S DISPLEJEM

*panelové PC, terminály, do vozidel, ...*



### AUTOMATIZACE A SBĚR DAT

*převodníky, karty, moduly, switche, ...*



### PERIFERIE A KOMPONENTY

*monitory, klávesnice, desky, skříně, ...*



### NOTEBOOKY A TABLETY

*odolné, windows, android, IP65, ...*



### INFORMAČNÍ KIOSKY

*interiérové, venkovní, ...*



### MEDICÍNSKÁ TECHNIKA

*počítače, tablety, LCD, klávesnice, ...*



### SOFTWAREVÁ ŘEŠENÍ

*pro výrobu, zaměstnance, kiosky, ...*



### PŘEJÍT DO E-SHOPU

[eshop.autocont-ipc.cz](http://eshop.autocont-ipc.cz)



### DOPRAVA ZDARMA

Doprava zdarma v ČR a SR při objednávce nad 10 000 Kč bez DPH nebo nad 400 EUR.



### PRODLOUŽENÁ ZÁRUKA

Záruka 2 roky na vyráběné počítače s možností jejího prodloužení až na 5 let.



### ODMĚNA ZA VĚRNOST

Pravidelní zákazníci u nás nakupují za nižší ceny. Výše slevy se odvíjí od realizovaného obrátu.



### SERVIS ON-SITE A IN-TIME

K projektovým dodávkám nabízíme rozšířenou podporu a servis s garancí výměny zařízení do 48 hodin.