

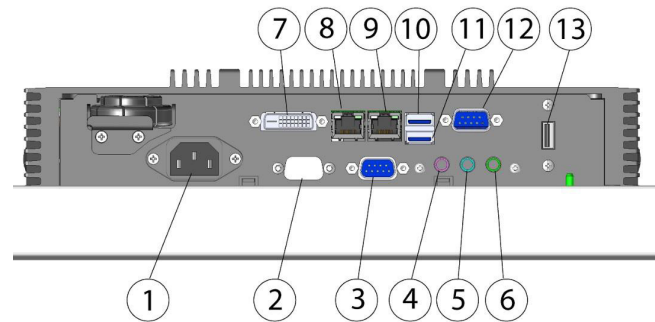
Features

- ▶ Rugged fanless panel PC
- ▶ LED display 21.5" 16:9 LED display
- ▶ Resolution Full HD 1920 x 1080
- ▶ Processor Intel® Core™ i5-5350U
- ▶ Projected capacitive multi-touch touch screen
- ▶ Cable cover
- ▶ IP65 on front
- ▶ Internal power supply
- ▶ VESA 100 compliant
- ▶ Five years of standard warranty

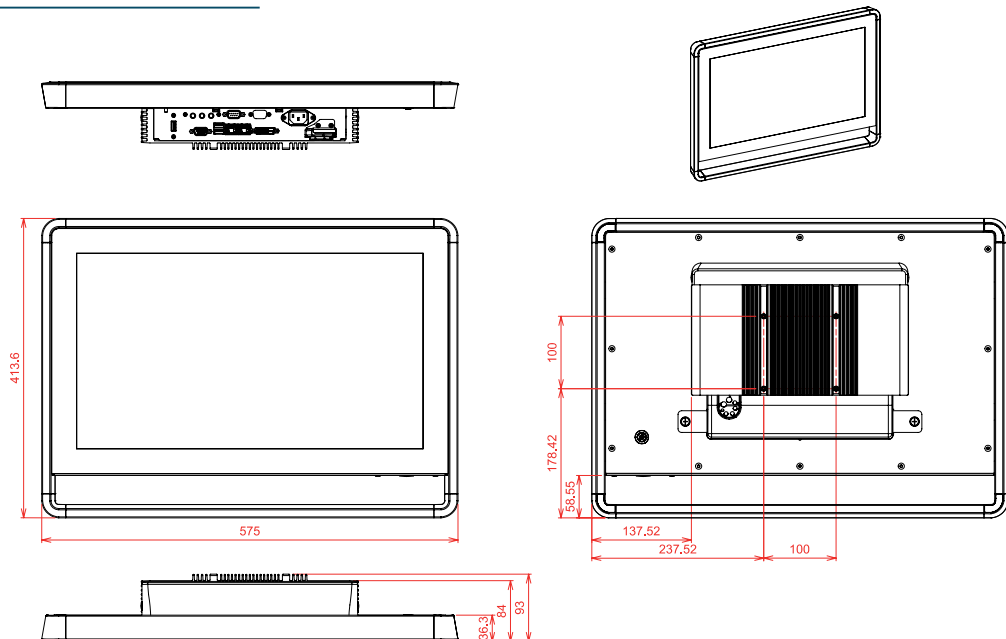


I/O ports

- | | |
|--------------------|----------------|
| 1 - Power | 9 - Ethernet 1 |
| 2 - COM 3 (option) | 10 - USB 3.0 |
| 3 - COM 2 | 11 - USB 3.0 |
| 4 - Micro | 12 - COM 1 |
| 5 - Line in | 13 - USB 2.0 |
| 6 - Line out | |
| 7 - DVI-I | |
| 8 - Ethernet 2 | |



Mechanical Drawing



| | | |
|-------------------------------|-----------------------|--|
| Chassis | Frame | Anodized aluminum profile 1.5mm thickness |
| | Corner | Polycarbonate - Black color in base - Customise your color |
| | Front panel | Trueflat |
| | Rear cover | Aluminium 2mm thickness |
| | Color | Black color RAL9005 |
| | Mouting | VESA 100 |
| | IP level | IP65 on front |
| Display | LCD Size | 21.5" 16:9 - Backlight LED |
| | Active area | 476 x 268 mm |
| | Resolution | 1920 x 1080 Full HD |
| | LCD color | 16.7millions |
| | Pixel pitch | 0.294 mm |
| | Brightness | 300 cd/m2 |
| | Contrast ratio | 5000 : 1 |
| | Viewing Angle (H-V) | 170° - 170° |
| Touch screen | Type | Projected capacitive (10 touches) |
| System | CPU | Intel® Core™ i5-5350U - 1.8GHz |
| | Chipset | Intel® 5th Generation Core™ i U-series |
| | RAM | 2 x DDR3L SO-DIMM (max. 16.0 Go) |
| Operating system | | Windows 7 / 8.1 / 10 - Linux on specification |
| Storage | HDD/ SSD | 1 x 2"1/2 SATA |
| | mSATA | 1 x slot |
| I/O ports | | 2 x USB 2.0 - 1 x USB 3.0 - 2 x RS-232 - 1 x Display port |
| | I/O | 2 x Gigabit Ethernet (RJ45) 1 x Audio (Micro/line In/Line Out) |
| | Cable cover | Seal passage - Cables fixation - Captive screws |
| Options | Option | 1 x RS-232 in more - Port RS-422/485 - RS-422/485 isolated Integrated in frame - Output on front or rear panel |
| | Option box | Housing sizes to allow for customized integration: USB, RS232, RFID reader, Emergency button, Functions Key,... |
| | Mounting option | Table stand, arm, ... |
| Audio | Amplifier | 1 x 3W |
| Button & Indicator | | ATX On/Off switch button with LED backlight |
| Cooling system | | Fanless |
| Dimensions | Dimension WxHxD (mm) | 575 x 413.6 x 93 |
| | Weight (kg) | 8.5 |
| Power supply | AC~ (DC=) | 115/230VAC - 1/0.5A - 50/60Hz - Power consumption: 35W max. 9~36 VDC - Power consumption: 35W max. |
| | Safety | EN60950-1 |
| Safety & EMC | | EN55022, EN61000-3-2, EN61000-3-3, EN55024, EN-61000-4-2, EN-61000-4-3, |
| | EMC | EN-61000-4-4, EN-61000-4-5, EN-61000-4-6, EN-61000-4-8, EN-61000-4-11 |
| Environment | Operating temperature | 0° ~ + 45°C |
| | Storage Temperature | - 20 + 60°C |
| | Relative Humidity | 5 95 % |
| Warranty | | 5 years Parts & Labour return to base as standard |
| OPT/WIFI+BTHFFUT | | Wifi a/b/g/n/ac + Bluetooth option |
| OPT/PIED/ | | Table stand support |
| Color | | Customization on request & subject to conditions |

Ordering Information

FUTURA 21WC1/* Rugged Panel PC - LCD TFT 21.5" LED - Intel® Core™ i5-5350U - PCAP touch screen- Choose power supply

* Choose your power supply type: AC / DC

Please ask for additional information about **Options & Accessories**.

Packing list

1 Power cord CE22 1.80 m (AC~ version)

1 Utility CD includes: User's manual

1 Utility CD includes: Drivers

1 Software Licence (label format)

1 Production&Traceability datasheet

Tento produkt můžete zakoupit u společnosti AutoCont IPC a.s.



AutoCont IPC a.s.

Váš dodavatel průmyslových počítačů, komponent a speciálních průmyslových IT systémů.

 Uhlířská 1064/3, 710 00 Ostrava, Česká republika

 obchod@autocont-ipc.cz

 +420 552 301 002

 www.autocont-ipc.cz



PRŮMYSLOVÉ POČÍTAČE

fanless embedded PC, do racku, ...



POČÍTAČE S DISPLEJEM

panelové PC, terminály, do vozidel, ...



AUTOMATIZACE A SBĚR DAT

převodníky, karty, moduly, switche, ...



PERIFERIE A KOMPONENTY

monitory, klávesnice, desky, skříně, ...



NOTEBOOKY A TABLETY

odolné, windows, android, IP65, ...



INFORMAČNÍ KIOSKY

interiérové, venkovní, ...



MEDICÍNSKÁ TECHNIKA

počítače, tablety, LCD, klávesnice, ...



SOFTWAREVÁ ŘEŠENÍ

pro výrobu, zaměstnance, kiosky, ...



PŘEJÍT DO E-SHOPU

eshop.autocont-ipc.cz



DOPRAVA ZDARMA

Doprava zdarma v ČR a SR při objednávce nad 10 000 Kč bez DPH nebo nad 400 EUR.



PRODLOUŽENÁ ZÁRUKA

Záruka 2 roky na vyráběné počítače s možností jejího prodloužení až na 5 let.



ODMĚNA ZA VĚRNOST

Pravidelní zákazníci u nás nakupují za nižší ceny. Výše slevy se odvíjí od realizovaného obrátu.



SERVIS ON-SITE A IN-TIME

K projektovým dodávkám nabízíme rozšířenou podporu a servis s garancí výměny zařízení do 48 hodin.