

WISE-4250

Wi-Fi 2.4/5 GHz 802.11 a/b/g/n/ac I/O and Sensor Module

NEW



Features

- Wi-Fi Dual band 2.4/5 GHz up to 802.11 a/b/g/n/ac
- Supports interchangeable I/O and Sensor module
- Supports smart roaming function
- MQTT, Modbus/TCP, SNMP, SNTP, TCP/IP, HTTP, HTTPS, UDP, and DHCP protocols supported
- Supports WPA3 /TLS1.3 encryption protocol
- UDP based AES-128 encrypted wireless P2P (Peer to Peer) function
- Easy configuration done with web UI with mobile devices and PC
- 10000+ data logger with SNTP/RTC time sync and WDT auto connection recovery
- Supports Dropbox, WebAccess, Azure, AWS, and other cloud services
- Supports RESTful API for IoT integration

Introduction

The WISE-4250 series is an Ethernet-based wireless IoT device, compatible with various I/O and sensors and integrated with IoT data acquisition, processing, and publishing functions and can communicate with different WISE devices via P2P function. Wireless watchdog timer, smart roaming, timestamps data logger and data recovery functions can enhance connection quality and solve risks from data loss. Data and connections can also be protected via WPA3 /TLS1.3 encryption protocol, it can be accessed via PC and mobile devices and be published to diverse type of cloud.

Features

IEEE 802.11 a/b/g/n/ac 2.4/5GHz Wi-Fi with AP Mode

The Wi-Fi interface is easily integrated with wired or wireless Ethernet devices, users only need to add a wireless router or AP to extend existing Ethernet network to wireless. The limited AP mode enables the WISE-4250 to be accessed via other Wi-Fi devices directly as an AP.



Data Logger and Recovery

The WISE-4250 can log 10000+ data with time stamp and system log normally or if there's any wireless dis-connection gap. Once the memory is full, users can choose to overwrite the old data to ring log or just stop the log function. This function helps no missing data and help tracking complete data.



HTML5 Web Configuration Interface

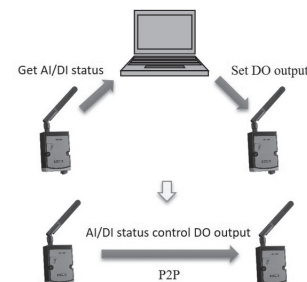
All the configuration interfaces are applied in web service, and the web pages are based on HTML5, so users can configure the WISE-4250 without the limitation of OS/devices. You can use your mobile phone or tablet to directly configure the WISE-4250.



Peer to peer

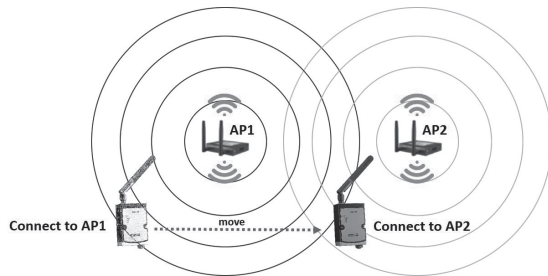
The function can help send signals from one module to another module remotely, periodically and change of status, AI/DI to DO. It support basic mode for one target module/channel and advanced mode for multiple target modules/channels.

The data support UDP protocol (ASCII command) and can be encrypted with AES-128.



Smart Roaming

This function help WISE-4250 series communicate and connect to surrounding AP much more flexibly and effectively to prevent long disconnection idle time and setup more stable network. 802.11 k/v/r are also supported to help on better signal strength management in advance and faster connection time.



Specifications

General

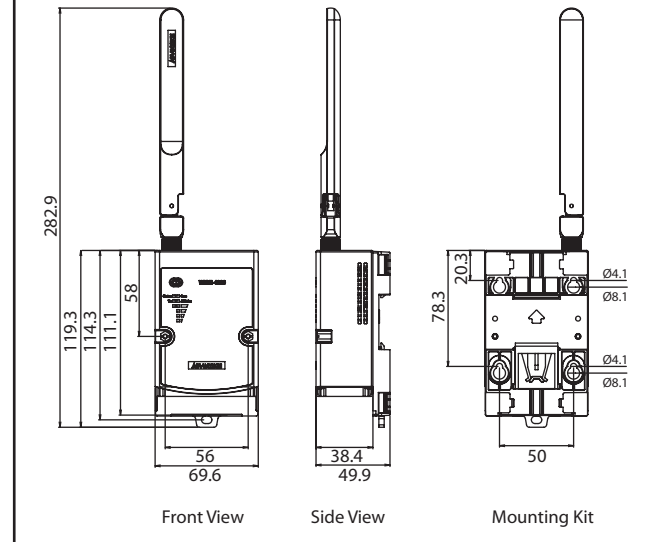
- **WLAN Standard** IEEE 802.11a/b/g/n/ac
- **Modulation** 802.11b : CCK(11, 5.5Mbps), DQPSK(2Mbps), BPSK(1Mbps)
802.11a/g/n/ac : OFDM
- **Transmit Power** 2.4 GHz
802.11b: 16.0 dBm ±2dBm
802.11g: 14.0 dBm ±2dBm
802.11n: 12.0 dBm ±2dBm
5 GHz
802.11a: 13.0 dBm ±2dBm
802.11n: 10.0 dBm ±2dBm
802.11ac: 8.0 dBm ±2dBm
- **Wireless Security** X.509(TLS1.2/1.3), WPA2/WPA3 Personal and Enterprise
- **Antenna** Connector: Reverse SMA
Gain (Peak): 2.4G 3.64 dBi / 5G 5.65 dBi
- **Connectors** Plug-in-and-play I/O and sensor modules
- **Watchdog Timer** System (1.6 second) and Communication (programmable)
- **Certification** CE, FCC, IC, TELEC
- **Dimensions (W x H x D)** 70 x 102 x 38 mm
- **Enclosure** PC
- **Mounting** DIN 35 rail, wall, stack, and pole
- **Power Input** 10 ~ 50 V_{DC}
- **Power Consumption** 1.6W @ 24 V_{DC}
- **RTC Accuracy** ±2 second/day
- **Cloud** Dropbox, WebAccess, Azure, AWS, EdgeSync 360, Aliyun, etc.
- **Support wireless P2P (Peer to Peer) with AES-128 encryption and UDP protocol**
- **Support MQTT data recovery function**
- **Support smart roaming function and 802.11k/v/r**
- **Supports User Defined Modbus Address**
- **Power Reversal Protection**
- **Supports Data Log Function** 10000+ samples with SNTP/RTC sync time stamp
- **Supported Protocols** Modbus/TCP, TCP/IP, SNMP, SNTP, UDP, DHCP, HTTP, HTTPS, and MQTT
- **Supports RESTful Web API in JSON format**
- **Supports Web Server in HTML5 with JavaScript & CSS3**
- **Supports System Configuration Backup and User Access Control**

Environment

- **Operating Temperature** -25 ~ 70°C (-13~158°F)
- **Storage Temperature** -40 ~ 85°C (-40~185°F)
- **Operating Humidity** 10 ~ 85% RH (non-condensing)
- **Storage Humidity** 0 ~ 60% RH (non-condensing)

Dimensions

Unit: mm



Supported I/O module

WISE-S214 (4AI/4DI)

Analog Input

- **Channels** 4
- **Resolution** 16bits Bipolar; 15bits Unipolar
- **Sampling Rate** 10Hz (Total) with 50/60Hz Rejection
- **Accuracy** ±0.1% for Voltage Input; ±0.2% for Current Input
- **Input Range** 0~150mV, 0~500mV, 0~1V, 0~5V, 0~10V, ±150mV, ±500mV, ±1V, ±5V, ±10V, 0~20mA, ±20mA, 4~20mA
- **Input Impedance** >1MΩ (Voltage)
120 Ω (External resistor for current)
- **Support Data** Max/min, Scaling and Averaging
- **Support burn out detection**

Digital Input

- **Channels** 4 Dry Contact (Wet Contact by request for customization)
- **Supports 200Hz Counter Input (32-bit + 1-bit overflow)**
- **Supports keep/discard counter value on power-off**
- **Support inverted digital input status**
- **Support configuration by each channel**
- **Support digital filter (min 0.1ms)**
- **Support high-to-low and low-to-high latch**

WISE-S250 (6DI, 2DO& 1RS-485)

Digital Input

- **Channels** 6 Dry Contact (Wet Contact by request for customization)
- **Supports 3kHz Frequency Input**
- **Supports 3kHz Counter Input (32-bit + 1-bit overflow)**
- **Supports keep/discard counter value on power-off**
- **Support inverted digital input status**
- **Support configuration by each channel**
- **Support digital filter (min 0.1ms)**
- **Support high-to-low and low-to-high latch**

Digital Output (Sink Type)

- **Channel** 2
- **Output Current** 100 mA
At 0 -> 1: 100 us
At 1 -> 0: 100 us
(for Resistive Load)
- **Supports Pules Output** 5 kHz
- **Max. Load Voltage** 30V
- **Support pulse high/low width and duty cycle adjustment**
- **Support high to low and low to high delay time setup**

Serial Port

- **Port Number** 1
- **Type** RS-485
- **Data Bits** 8
- **Stop Bits** 1, 2
- **Parity** None, Odd, Even
- **Baud Rate (bps)** 1200, 2400, 4800, 9600, 19200, 38400, 57600, 115200
- **Protocol** Modbus/RTU (Total 64 addresses by 30 max. instructions)
- **Support Server response timeout and Delay between Polls setting**

WISE-S251 (6DI/1RS-485)

Digital Input

- **Channels** 6 Dry Contact (Wet Contact by request for customization)
- **Supports 200Hz Counter Input (32-bit + 1-bit overflow)**
- **Supports keep/discard counter value on power-off**
- **Support inverted digital input status**
- **Support configuration by each channel**
- **Support digital filter (min 0.1ms)**
- **Support high-to-low and low-to-high latch**

Serial Port

- **Port Number** 1
- **Type** RS-485
- **Data Bits** 8
- **Stop Bits** 1, 2
- **Parity** None, Odd, Even
- **Baud Rate (bps)** 1200, 2400, 4800, 9600, 19200, 38400, 57600, 115200
- **Protocol** Modbus/RTU (Total 64 addresses by 30 max. instructions)
- **Support Server response timeout and Delay between Polls setting**

WISE-S472 (1DI/2COM) IP65

Serial Port

- **Port Number** 2
- **Type** Port 1: RS-485; Port 2: RS-485/232
- **Serial Signal** RS-485: DATA+, DATA; RS-232: Tx, Rx, GND
- **Data Bits** 8
- **Stop Bits** 1, 2
- **Parity** None, Odd, Even
- **Baud Rate (bps)** 1200, 2400, 4800, 9600, 19200, 38400, 57600, 115200
- **Protection** 15 kV ESD
- **Protocol** Modbus/RTU (Total 64 addresses by 30 max. instructions)
- **Support Server response timeout and Delay between Polls setting**

Digital Input

- **Channels** 1
- **Input Type** Dry Contact (Wet Contact by request for customization)
- **Logic Level** 0: Open; 1: Close to DCOM
- **Supports 200Hz Counter Input (32-bit + 1-bit overflow)**
- **Supports keep/discard counter value on power-off**
- **Support inverted digital input status**
- **Support configuration by each channel**
- **Support digital filter (min 0.1ms)**
- **Support high-to-low and low-to-high latch**

Ordering Information

Wi-Fi 2.4/5GHz Wireless I/O Module

- **WISE-4250-A** Wi-Fi 5 2.4/5GHz Wireless I/O Module

WISE-S200/400 I/O Module

- **WISE-S214-A** 4AI/4DI
- **WISE-S250-A** 6DI, 2DO & 1RS-485
- **WISE-S251-A** 6DI & 1RS-485
- **WISE-S472-A** 1DI & 2COM and IP65
- **WISE-S200/S400** can be customized based on requirement

Accessories

- **96PSD-A30W24-DS** DIN Rail Power Supply (1.25A Output Current)
- **BB-RPS-V2-WR2-US** Power Supply, 12V/1A, US plug
- **BB-RPS-V2-WR2-EU** Power Supply, 12V/1A, EU plug
- **1750008648-01** 2.4/5GHz External Dipole Antenna, Peak Gain : 2.4G 3.64 dBi / 5G 5.65 dBi
- **1750008867-01** Magnetic Antenna Extend Cable Base 150cm
- **1760000897-11** RTC Battery 3V/200 mAh with Cable Connector

Tento produkt můžete zakoupit u společnosti AutoCont IPC a.s.



AutoCont IPC a.s.

Váš dodavatel průmyslových počítačů, komponent a speciálních průmyslových IT systémů.

 Uhlířská 1064/3, 710 00 Ostrava, Česká republika

 obchod@autocont-ipc.cz

 +420 552 301 002

 www.autocont-ipc.cz



PRŮMYSLOVÉ POČÍTAČE

fanless embedded PC, do racku, ...



POČÍTAČE S DISPLEJEM

panelové PC, terminály, do vozidel, ...



AUTOMATIZACE A SBĚR DAT

převodníky, karty, moduly, switche, ...



PERIFERIE A KOMPONENTY

monitory, klávesnice, desky, skříně, ...



NOTEBOOKY A TABLETY

odolné, windows, android, IP65, ...



INFORMAČNÍ KIOSKY

interiérové, venkovní, ...



MEDICÍNSKÁ TECHNIKA

počítače, tablety, LCD, klávesnice, ...



SOFTWAREVÁ ŘEŠENÍ

pro výrobu, zaměstnance, kiosky, ...



PŘEJÍT DO E-SHOPU

eshop.autocont-ipc.cz



DOPRAVA ZDARMA

Doprava zdarma v ČR a SR při objednávce nad 10 000 Kč bez DPH nebo nad 400 EUR.



PRODLOUŽENÁ ZÁRUKA

Záruka 2 roky na vyráběné počítače s možností jejího prodloužení až na 5 let.



ODMĚNA ZA VĚRNOST

Pravidelní zákazníci u nás nakupují za nižší ceny. Výše slevy se odvíjí od realizovaného obrátu.



SERVIS ON-SITE A IN-TIME

K projektovým dodávkám nabízíme rozšířenou podporu a servis s garancí výměny zařízení do 48 hodin.