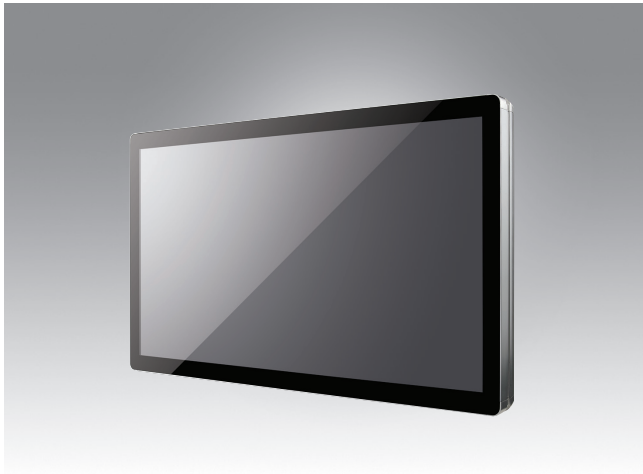


UTC-532

31.5" Ubiquitous Touch Computer UTC-532I with 11th Gen Intel Core i7/i5/i3 Processor



Features

- High performance and fanless system design
- Built-in Intel® Core™ i5-1145G7E (UTC-532I)
- 31.5" monitor with 16:9 widescreen display
- IP65-rated front panel for water and dust resistance
- Aluminum frame with side groove design for flexible peripheral installation
- Supports both landscape and portrait screen orientations
- VESA 200 mm standard mounting holes for varied mounting demands



Introduction

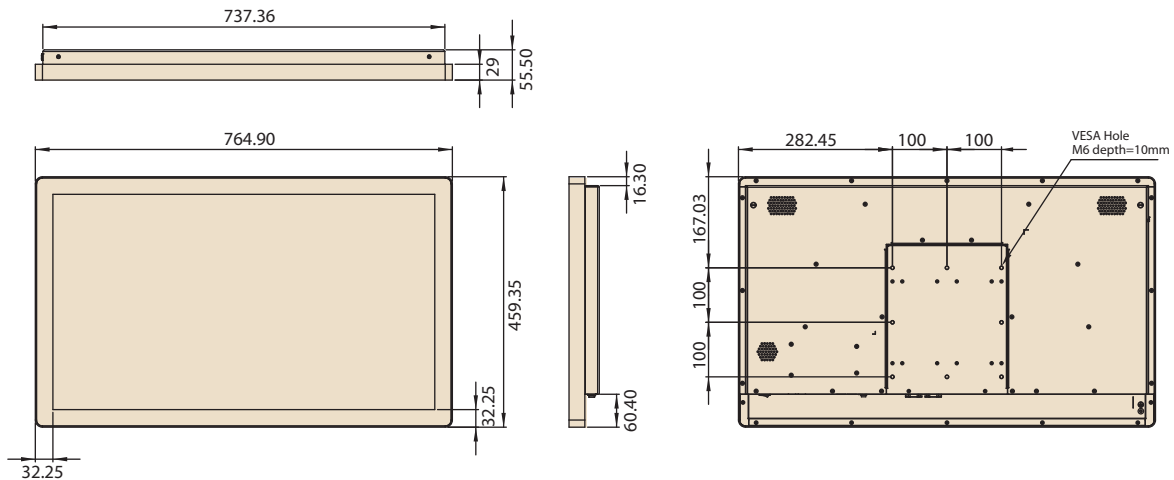
UTC-532 features an all-in-one computing system equipped with wide format, touch based LCD panel. It is easy to integrate key peripherals and display systems for diversified self-service and interactive signage deploy in different application areas. The systems deliver updated information with well-designed interactive interfaces, fully ensure relevant content and targeted promotions are delivered. UTC series touch panel computers are the best investments to enhance user satisfaction, further brand equity, and maximize business profits.

Specifications

Processor System	CPU	i5-1145G7E (Default) Intel® Core™ i3-1115G4E Intel® Core™ i7-1185GRE
	Base Frequency	1.50/ 2.6 GHz/ Quad Core
	Cache	L3 Cache 8MB
	Memory	DDR4-3200 up to 64GB
	HDD	1 x 2.5 internal SATA HDD bay
	Network (LAN)	2 x GbE, LAN1: Intel i219LM, LAN2: Intel i210AT/IT (supports Wake on LAN)
	I/O ports	2 x GbE, LAN1: Intel i219LM, LAN2: Intel i210AT/IT 1 x HDMI / 1 x DP 1 x Audio Line-out 1 x Mic-in
	Stereo Speaker	4 x USB3.2 Gen. 2x1 10Gbps 1 x USB type-C, USB3.2 Gen. 2x2 20Gbps, support DP1.4a via Alt. Mode (5V/3A) 10W x 2
	Bus expansion	1 x M.2 E-Key 2230 (PCIe x 1, USB2.0, I2C) 1 x M.2 B-Key 3042 (USB2.0) w/ Nano-SIM 1 x M.2 M-Key 2280 (PCIe x4 Gen.4 for PCIe SSD), optional SATA
	Dimensions (W x H x D)	764.50 x 459 x 55.5 mm
Weight	18 kg (39.6 lb)	
OS Support	Windows 10 IoT Enterprise	
Environmental Specifications	Operating Temperature	0 ~ 40° C (32 ~ 104° F)
	Relative Humidity	10 ~ 95% @ 40° C non-condensing
	Vibration	0.5G
	Shock	5 G peak acceleration (11 msec. duration)
	Certification	CE, FCC, UL, CB, CCC, BSMI
	Front Panel Protection	IP65/ NEMA4 Compliant
Power Supply	Input Voltage	100-240V
	Adapter	24V, 9.58A
	Power consumption	Typical 95W Max. 105W
LCD Display	Size/Type	31.5" TFT LCD with LED backlight
	Max. Resolution	1920 x 1080
	Max. Color	16.7 M
	Pixel Pitch (mm)	0.36375 (H) x 0.36375 (W)
	Brightness (cd/m ²)	300
Touch Screen (PE/GE)	View Angle	178°/178°
	Type	Projected Capacitive Touch Panel (Pcap. Flat Glass) / Glass Panel (No touch function)
	Light Transmission	90% ± 2% / 90%
Controller	USB Interface / -	

Dimensions

Unit: mm



Notes: Please use portrait mode, I/O side down

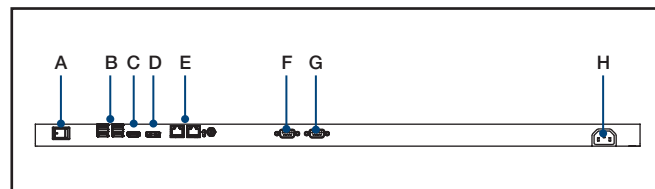
Ordering Information

Part No.	Description
UTC-532IP-ATB0E	31.5 Intel® Core™ i5-1145G7E fanless UTC with PCT.T/S. 8GB RAM
1702002605	Power cord 2P FRANCE 10A/16A 220V 1.83M 90D
1702002600	Power Cord 3P UL/CSA(USA) 125V 10A 1.83M 180D
170000596	Power Cord (China) CCC, 10A 250V, 3P 1830mm
1700018704	Power Cord UK BSI 2P 10A 250V 180cm 18AWG
1960060677N001	IO Cover for UTC-532 series

Installation Accessory for UTC-532

Part No.	Description
ARES-12290-L202000	Wall Mount kit for UTC-532
UTC-H01-STANDE	H-shaped floor stand

Fully- Integrated I/O



- A. Power Switch
- B. USB3.2 x 4
- C. USB Type C
- D. HDMI
- E. LAN x2

- F. COM1
- G. COM2
- H. Power Inlet

Specifications

DeviceOn/iService Remote Device Management	Operating System	Windows 10
	Common Controls (Reboot, Shutdown)	✓
	Remote desktop	✓ (VNC)
	Audio Controls	✓*
	Connection Status	✓
	Hardware Status	✓*
	Hard Disk Status	✓*
	Batch Operation Support	✓
	OTA Storage Management	FTP
	OTA Software Updates	✓
	Software Watchlist	✓
	Software Start/Stop	✓*

Note: DeviceOn/iService software must be downloaded from the Advantech website at <https://www.advantech.com/search/?q=DeviceOn%2FiService&st=support&sst=Utility>

DeviceOn/iService

Unified Remote Device Management Software



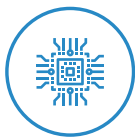
Features

- Supports Advantech devices equipped with Windows, Android, and Linux OS
- Flexible device, location, user, and permissions management
- Enables remote monitoring and control of hardware, software, and peripherals
- Supports over-the-air (OTA) firmware and software updates
- Ensures quick, easy, and secure device onboarding
- RESTful APIs for third-party system integration

Introduction

Advantech's DeviceOn/iService is a next-generation unified device management solution based on the WISE-DeviceOn platform. Designed to enable centralized monitoring and remote management, DeviceOn/iService supports Advantech devices equipped with Windows, Linux, or Android operating systems. The software also supports the management of applications and integrated peripherals, such as a barcode scanner, card reader, camera, and printer. Users can remotely access and control connected devices, take screenshots, rollout OTA upgrades, and use remote desktop capabilities for troubleshooting from any location at any time. Moreover, DeviceOn/iService supports batch operations to facilitate the management of multiple devices simultaneously for easy and convenient device configuration and deployment.

Total Management



Devices & Hardware

- Windows, Linux, Android
- Hardware, storage, battery



Software & Peripherals

- Software monitoring & access
- Screens, USB devices, printers



Open for Expansion

- Peripheral integration
- Open APIs for integration

Remote Access



Real-Time Monitoring

- Connection/hardware status
- Software/peripheral status
- Failure notifications



Remote Controls

- Power controls
- Audio, backlight controls
- Software controls



Troubleshooting

- Screenshots
- Remote desktop support

Operational Efficiency



OTA updates

- System/software updates
- File repository management
- App store



Batch Controls

- 1-to-many batch reboot, etc.
- Time-saving tasks

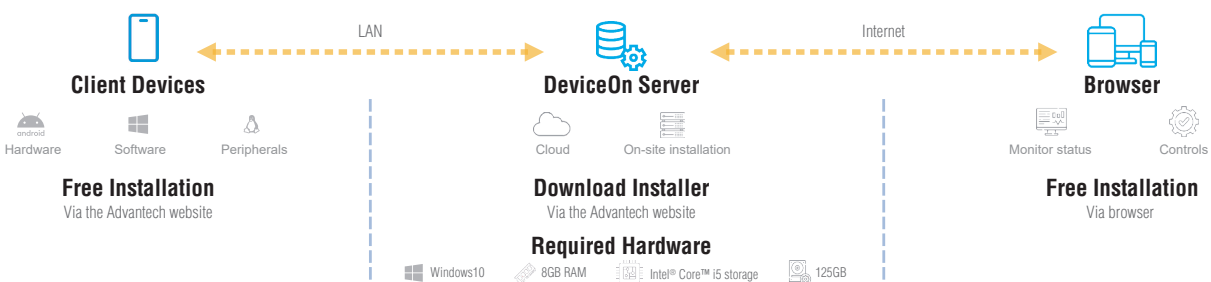


Setup Booster

- Software/peripheral watchlist
- Roles, rule templates

Note: Some functions may vary according to the product

System Architecture



Tento produkt můžete zakoupit u společnosti AutoCont IPC a.s.



AutoCont IPC a.s.

Váš dodavatel průmyslových počítačů, komponent a speciálních průmyslových IT systémů.

 Uhlířská 1064/3, 710 00 Ostrava, Česká republika

 obchod@autocont-ipc.cz

 +420 552 301 002

 www.autocont-ipc.cz



PRŮMYSLOVÉ POČÍTAČE

fanless embedded PC, do racku, ...



POČÍTAČE S DISPLEJEM

panelové PC, terminály, do vozidel, ...



AUTOMATIZACE A SBĚR DAT

převodníky, karty, moduly, switche, ...



PERIFERIE A KOMPONENTY

monitory, klávesnice, desky, skříně, ...



NOTEBOOKY A TABLETY

odolné, windows, android, IP65, ...



INFORMAČNÍ KIOSKY

interiérové, venkovní, ...



MEDICÍNSKÁ TECHNIKA

počítače, tablety, LCD, klávesnice, ...



SOFTWAREVÁ ŘEŠENÍ

pro výrobu, zaměstnance, kiosky, ...



PŘEJÍT DO E-SHOPU

eshop.autocont-ipc.cz



DOPRAVA ZDARMA

Doprava zdarma v ČR a SR při objednávce nad 10 000 Kč bez DPH nebo nad 400 EUR.



PRODLOUŽENÁ ZÁRUKA

Záruka 2 roky na vyráběné počítače s možností jejího prodloužení až na 5 let.



ODMĚNA ZA VĚRNOST

Pravidelní zákazníci u nás nakupují za nižší ceny. Výše slevy se odvíjí od realizovaného obrátu.



SERVIS ON-SITE A IN-TIME

K projektovým dodávkám nabízíme rozšířenou podporu a servis s garancí výměny zařízení do 48 hodin.