

# UTC-520

## 21.5" Ubiquitous Touch Computer UTC-520I with 11th Gen Intel Core i7/i5/i3 Processor



DeviceOn/iService



### Features

- Low-power, fanless system design
- Built-in Intel® Core™ i5-1145G7E (UTC-520I)
- 21.5" monitor with 16:9 widescreen display
- IP65-rated front panel for water and dust resistance
- All-in-one aluminum extrusion design
- Supports both landscape and portrait screen orientations
- VESA 100 mm standard mounting holes for varied mounting demands
- Side groove design for integrating peripherals
- Optional 400-nit LCD panel
- Support DeviceOn/iService software for remote device management
- i3 and i7 sku are available for I platform
- I platform supports TPM 2.0

### Introduction

UTC-520 is an all-in-one computer with an Intel® Core™ i5-1145G7E processor, widescreen LCD touch panel, and side groove design for integrating optional peripherals. Designed for diverse self-service, content broadcasting, and interactive signage applications, UTC-520 systems can be deployed in a wide range of usage scenarios for enhancing customer satisfaction, furthering brand equity, and maximizing business profits. Advantech's DeviceOn/iService is a next-generation unified device management solution based on the WISE-DeviceOn platform. Moreover, Advantech DeviceOn/iService Software is a next-generation unified device management solution based on the WISE-DeviceOn platform. With support for batch operations and multi-device control, DeviceOn/iService enables easy device configuration and deployment for convenient remote device management.

### Specifications

Model	UTC-520I	
System	CPU	i5-1145G7E (Default) Intel® Core™ i3-1115G4E Intel® Core™ i7-1185GRE
	Base Frequency	1.50/ 2.6 GHz/ Quad Core
	Cache	L3 Cache 8MB
	Memory	DDR4-3200 up to 64GB
	HDD	1 x 2.5 internal SATA HDD bay
	Network (LAN)	2 x GbE, LAN1: Intel i219LM, LAN2: Intel i210AT/IT (supports Wake on LAN)
	I/O	2 x GbE, LAN1: Intel i219LM, LAN2: Intel i210AT/IT 1 x HDMI / 1 x DP 1 x Audio Line-out 1 x Mic-in 4 x USB3.2 Gen. 2x1 10Gbps 1 x USB type-C, USB3.2 Gen. 2x2 20Gbps, support DP1.4a via Alt. Mode 2 x RS-232 COM (RS-422/485)*
	Stereo Speaker	2 x 3W
	Expansion	1 x M.2 E-Key 2230 (PCIe x 1, USB2.0, I2C) 1 x M.2 B-Key 3042 (USB2.0) w/ Nano-SIM 1 x M.2 M-Key 2280 (PCIe x4 Gen.4 for PCIe SSD), optional SATA
	Mechanical	Mount Options
Dimensions (W x H x D)		517.6 x 313.51 x 43.5 mm
Weight		8 kg (17.6 lb)
Board Features	Watchdog Timer	65536 intervals, 0 ~ 65535 sec
	TPM	TPM2.0 (SLB9670XQ2.0)
Operating System	Windows 10 IoT Enterprise	
Environmental	Operating Temperature	0 ~ 40 °C/32 ~ 104 °F
	Relative Humidity	10 ~ 95% @ 40 °C/104 °F, non-condensing
	Shock	Operating 10G peak acceleration (11ms duration), follow IEC 60068-2-27
	Vibration	Operating Random Vibration Test 5 ~ 500Hz, 1Grms @with HDD; 2Grms @with SSD, follow IEC 60069-2-64
	EMC/Safety	CE (RED Compliance), EN 61000-6-2: 2005 /AC: 2005, FCC, UL, CB, CCC, BSMI
	Front Panel Protection	IP65 rated/NEMA4 compliant

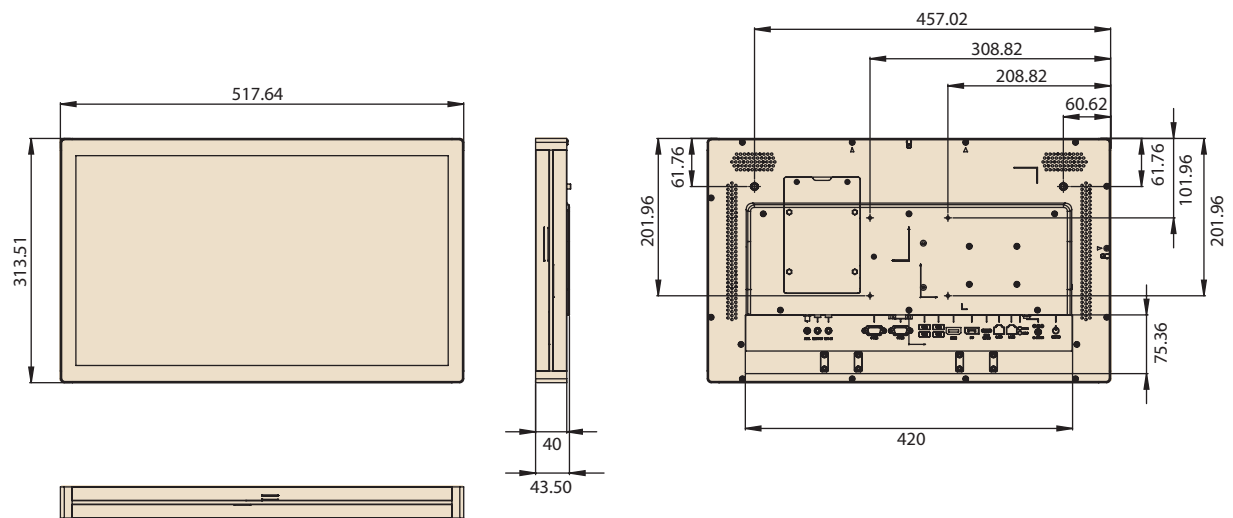
## Specifications (Cont.)

Power Supply	Input Voltage	12-24V <sub>DC</sub>
	Adapter	12-24V, 7 A (84W ITE adapter)
	Power Consumption	Typical 40W Max 50W
LCD Display	Size/Type	21.5" TFT LCD with LED backlight
	Max.Resolution	1920 x 1080
	Max. Color	16.7M
	Pixel Pitch (H x V)	248.25 x 248.25
	Brightness	250 nits (400 nits optional)
Touchscreen (PE/RE)	Viewing Angle	178°/178°
	Type	Projected capacitive, Single point Analog Resistive 5-wires touch
	Light Transmission	88% ± 2%, 80% ± 3%
DeviceOn/iService Remote Device Management	Controller	USB interface
	Operating System	Windows 10
	Common Controls (Reboot, Shutdown)	✓
	Remote desktop	✓ (VNC)
	Audio Controls	✓*
	Connection Status	✓
	Hardware Status	✓*
	Hard Disk Status	✓*
	Batch Operation Support	✓
	OTA Storage Management	FTP
	OTA Software Updates	✓
	Software Watchlist	✓
Software Start/Stop	✓*	
*Dependant on device model	Peripherals Watchlist	✓*

Note: DeviceOn/iService software must be downloaded from the Advantech website at <https://www.advantech.com/search/?q=DeviceOn%2FiService&st=support&sst=Utility>

## Dimensions

Unit: mm



## Ordering Information

Part Number	Description
UTC-520I-PE	21.5" 9H PCT.T/S with Intel® Core™ i5-1145G7E, IT Adapter
UTC-520IP-ATB0E	21.5" 7H PCT.T/S with Intel® Core™ i5-1145G7E, 8GB RAM, IT Adapter
UTC-520IR-ATB0E	21.5" Resi. T/S with Intel® Core™ i5-1145G7E, 8GB RAM, IT Adapter
1702002600	Power Cord 3P UL/CSA(USA) 125V 10A 1.83M 180D
1702002605	Power Cord 2P FRANCE 10A/16A 220V 1.83M 90D
1700000596	Power cable, CCC, 3P, 10A, 250V, 183 cm (China)
1700018704	Power cable, BSI, 2P, 10A, 250V, 180 cm (UK)
1960069544N001	I/O cover for UTC-520 series

### Peripherals for UTC-500 Series

Part Number	Description
UTC-P01-A1E	5MP camera module (via USB)
UTC-P02-A0E	Magnet strip reader (via USB)
UTC-P03-A1E	RFID/NFC reader (via USB)
UTC-P06-A2E	Smart card reader (via USB)
UTC-P07-A4E	2D barcode module (Honeywell) (via USB)
UTC-P09-A0E	Fingerprint reader (via USB)
UTC-P21-A3E	2D Barcode reader + RFID + SCR

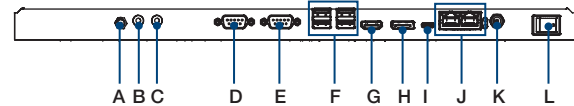
### Optional Accessories

Part No.	Description
96PD-00824	UTK-700 Desktop Stand (w/o Printer)
96PD-00825	UTK-700 Extension Tower (For 96PD-00824 only)
UTC-520-STAND1E	Desktop stand for UTC-515/520
UTC-T01-STANDE	Triangle shape floor stand
UTC-H01-STANDE	H-shaped floor stand
ARES-2424X-S170201	Table Stand, 100x100/75x75
ARES-12250-L101000	Wall Mount, 75/100mm

### UTC-520 WiFi Ordering Information

Part No.	Description
UTC-WIFI-A4E	EWM-W163M201E 802.11ac/a/b/g/n 2T2R WIFI with BT 4.1 QCA6174A, M.2 2230
UTC-WIFI-A5E	AIW-163BR 802.11ax with BT5.2, PCIe-USB, Realtek 8852BE, M.2 2230

## Fully Integrated I/O



- A. Antenna Port
- B. Line-out
- C. Mic-in
- D. COM2
- E. COM1
- F. USB 3.2 x 4
- G. HDMI
- H. DP
- I. USB type c
- J. LAN Ports x 2
- K. DC input
- L. Power Switch

# DeviceOn/iService

## Unified Remote Device Management Software



### Features

- Supports Advantech devices equipped with Windows, Android, and Linux OS
- Flexible device, location, user, and permissions management
- Enables remote monitoring and control of hardware, software, and peripherals
- Supports over-the-air (OTA) firmware and software updates
- Ensures quick, easy, and secure device onboarding
- RESTful APIs for third-party system integration

### Introduction

Advantech's DeviceOn/iService is a next-generation unified device management solution based on the WISE-DeviceOn platform. Designed to enable centralized monitoring and remote management, DeviceOn/iService supports Advantech devices equipped with Windows, Linux, or Android operating systems. The software also supports the management of applications and integrated peripherals, such as a barcode scanner, card reader, camera, and printer. Users can remotely access and control connected devices, take screenshots, rollout OTA upgrades, and use remote desktop capabilities for troubleshooting from any location at any time. Moreover, DeviceOn/iService supports batch operations to facilitate the management of multiple devices simultaneously for easy and convenient device configuration and deployment.

### Total Management



#### Devices & Hardware

- Windows, Linux, Android
- Hardware, storage, battery



#### Software & Peripherals

- Software monitoring & access
- Screens, USB devices, printers



#### Open for Expansion

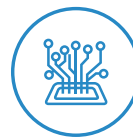
- Peripheral integration
- Open APIs for integration

### Remote Access



#### Real-Time Monitoring

- Connection/hardware status
- Software/peripheral status
- Failure notifications



#### Remote Controls

- Power controls
- Audio, backlight controls
- Software controls



#### Troubleshooting

- Screenshots
- Remote desktop support

### Operational Efficiency



#### OTA updates

- System/software updates
- File repository management
- App store



#### Batch Controls

- 1-to-many batch reboot, etc.
- Time-saving tasks

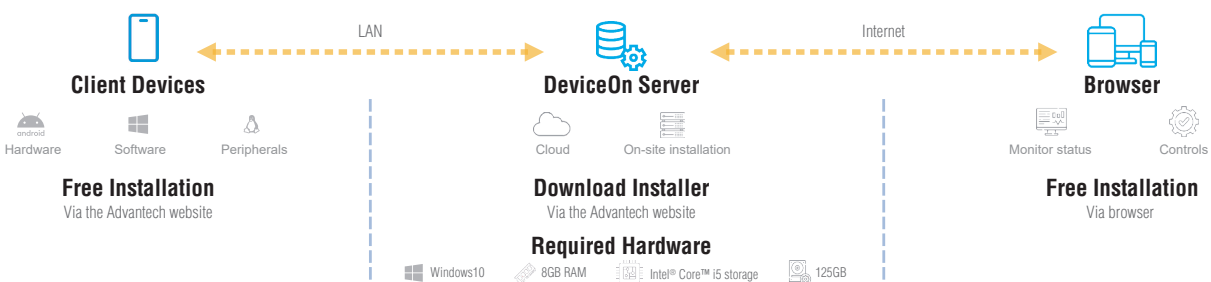


#### Setup Booster

- Software/peripheral watchlist
- Roles, rule templates

Note: Some functions may vary according to the product

### System Architecture



# Tento produkt můžete zakoupit u společnosti AutoCont IPC a.s.



## AutoCont IPC a.s.

Váš dodavatel průmyslových počítačů, komponent a speciálních průmyslových IT systémů.

 Uhlířská 1064/3, 710 00 Ostrava, Česká republika

 obchod@autocont-ipc.cz

 +420 552 301 002

 [www.autocont-ipc.cz](http://www.autocont-ipc.cz)



### PRŮMYSLOVÉ POČÍTAČE

fanless embedded PC, do racku, ...



### POČÍTAČE S DISPLEJEM

panelové PC, terminály, do vozidel, ...



### AUTOMATIZACE A SBĚR DAT

převodníky, karty, moduly, switche, ...



### PERIFERIE A KOMPONENTY

monitory, klávesnice, desky, skříně, ...



### NOTEBOOKY A TABLETY

odolné, windows, android, IP65, ...



### INFORMAČNÍ KIOSKY

interiérové, venkovní, ...



### MEDICÍNSKÁ TECHNIKA

počítače, tablety, LCD, klávesnice, ...



### SOFTWAREVÁ ŘEŠENÍ

pro výrobu, zaměstnance, kiosky, ...



### PŘEJÍT DO E-SHOPU

[eshop.autocont-ipc.cz](http://eshop.autocont-ipc.cz)



### DOPRAVA ZDARMA

Doprava zdarma v ČR a SR při objednávce nad 10 000 Kč bez DPH nebo nad 400 EUR.



### PRODLOUŽENÁ ZÁRUKA

Záruka 2 roky na vyráběné počítače s možností jejího prodloužení až na 5 let.



### ODMĚNA ZA VĚRNOST

Pravidelní zákazníci u nás nakupují za nižší ceny. Výše slevy se odvíjí od realizovaného obrátu.



### SERVIS ON-SITE A IN-TIME

K projektovým dodávkám nabízíme rozšířenou podporu a servis s garancí výměny zařízení do 48 hodin.