

UTC-515

15.6" Ubiquitous Touch Computer UTC-515G with Intel® Pentium N4200 UTC-515H with Intel® Core™ i3-8145UE



DeviceOn/iService

Features

- Low power and fanless system design
- Built-in Intel® Pentium N4200 (UTC-515G)
- Built-in Intel® Core™ i3-8145UE (UTC-515H)
- 15.6" monitor with 16:9 widescreen display
- IP65-rated front panel for water and dust resistance
- All in one aluminum extrusion design
- Supports both landscape and portrait screen orientations
- VESA 100 mm standard mounting holes for varied mounting demands
- Side groove design for flexible peripheral installation
- Optional Full HD (1920 x 1080) LCD panel
- Support DeviceOn/iService software for remote device management
- i7 sku is available for H platform
- H platform supports TPM 2.0



Introduction

UTC-515 features an all-in-one computing system equipped with wide format, touch based LCD panel. It is easy to integrate key peripherals and display systems for diversified self-service and interactive signage deploy in different application areas. The systems deliver updated information with well-designed interactive interfaces, fully ensure relevant content and targeted promotions are delivered. UTC series touch panel computers are the best investments to enhance user satisfaction, further brand equity, and maximize business profits. Moreover, Advantech DeviceOn/iService Software is a next-generation unified device management unified device management solution based on the WISE-DeviceOn platform. With support for batch operations and multi-device control, DeviceOn/iService enables easy device configuration and deployment for convenient remote device management.

Specifications

| Model | UTC-515G | UTC-515H | |
|------------------------------|---------------------------------|--|---|
| Processor System | CPU | Intel® Pentium® N4200 (UTC-515G) | Intel® Core™ i3-8145UE (UTC-515H) Intel® Core™ i5-8365UE (Available)* Intel® Core™ i7-8665UE (Available)* |
| | Base Frequency | 1.1 GHz (Quad-Core) | 2.20 GHz (i3-8145UE/Dual-Core) |
| | Cache | L2 Cache 2MB | L3 Cache 4MB |
| | Memory | 1 x 204 pin SO-DIMM DDR3L 1867 MHz up to 8GB | 1 x 260 pin SO-DIMM DDR4 2400 MHz up to 32GB |
| | HDD | 1 x 2.5 internal SATA HDD bay | |
| | Network (LAN) | 2 x Gigabit Ethernet Ports, Intel I210AT (supports Wake on LAN) | 2 x Gigabit Ethernet Ports, Intel I210IT; Intel I219LM (supports Wake on LAN) |
| | I/O ports | 2 x RS-232 COM (RS-422/485)* 2 x USB 2.0 / 2 x USB 3.0 2 x Gigabit Ethernet (RJ-45) 1 x VGA 1 x HDMI 1 x Audio Line-out 1 x Mic-in | 2 x RS-232 COM (RS-422/485)* 4 x USB 3.1 2 x Gigabit Ethernet (RJ-45) 1 x HDMI 1 x Audio Line-out 1 x Mic-in |
| | Stereo Speaker | 2 x 1W | |
| | Bus expansion | 1 x Full-size MiniPCIe / mSATA 1 x M.2 E-key 2230 | 1 x M.2 E-key 2230 1 x M.2 B-key 2280 (NVMe PCIe x 4) / M.2 B-Key 3042 LTE module supports USB 2.0 only (optional) |
| | Mounting | VESA 100 x 100 mm | |
| Dimensions (W x H x D) | 390 x 240 x 45 mm | | |
| Weight | 4.85 kg (10.67 lb) | | |
| Board Feature | Watchdog Timer | 65536 level, 0-65535 sec | |
| | TPM | N/A | TPM2.0 (SLB9670XQ2.0) |
| OS Support | | Win 10 IoT Enterprise Android 10 Linux Ubuntu 20.04 | Win 10 IoT Enterprise Linux Ubuntu 20.04 |
| | Operating Temperature | 0 ~ 40° C (32 ~ 104° F) | |
| Environmental Specifications | Relative Humidity | 10 ~ 95% @ 40° C non-condensing | |
| | Shock | Operating 10G peak acceleration (11ms duration), follow IEC 60068-2-27 | |
| | Vibration | Operating Random Vibration Test 5 ~ 500Hz, 1Grms @with HDD; 2Grms @with SSD, follow IEC 60069-2-64 | |
| | EMC/ Safety | CE (RED Compliance), EN 61000-6-2: 2005 / AC: 2005, FCC, UL, CB, CCC, BSMI | |
| | Front Panel Protection | IP65/ NEMA4 Compliant | |
| Power Supply | Input Voltage | 12V _{oc} | 12-24V _{oc} |
| | Power consumption | Typical 35W Max. 40W | Typical 40W Max. 50W |
| | Adapter | 12-24V/7A (84W ITE Adapter) | |
| LCD Display | Size/Type | 15.6" TFT LCD with LED backlight | |
| | Max.Resolution | 1366 x 768 (FHD 1920 x 1080 Optional) | |
| | Max. Color | 16.7M | |
| | Pixel Pitch (um) | 252 x 252 | |
| | Brightness (cd/m ²) | 400 nits | |
| View Angle | 170°/160° | | |
| Touch Screen Option (PE/RE) | Type | Projected Capacitive, Single point Analog Resistive 5-wires touch | |
| | Light Transmission | 88% ± 2% / 80% ± 3% | |
| | Controller | USB Interface | |

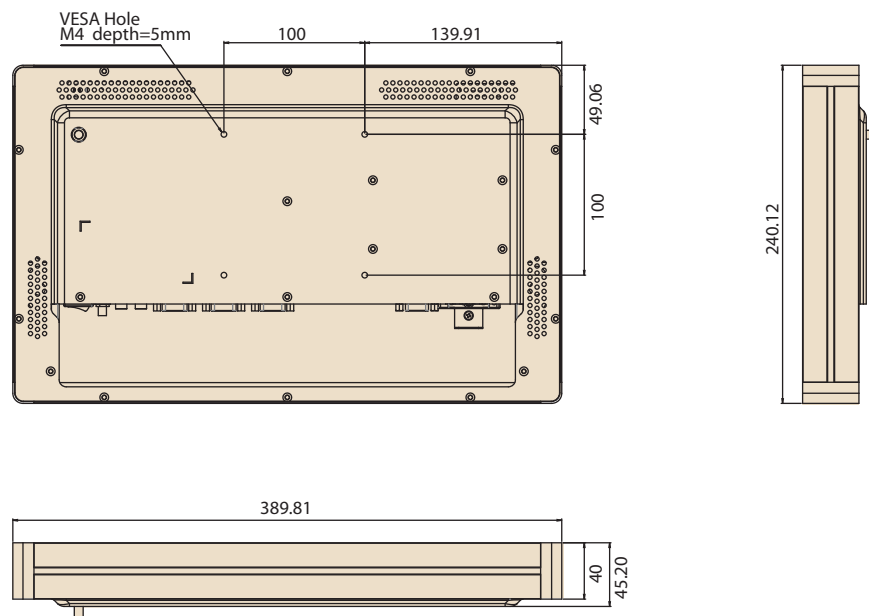
Specifications (Cont.)

| | | |
|---|------------------------------------|------------|
| DeviceOn/iService Remote Device Management | Operating System | Windows 10 |
| | Common Controls (Reboot, Shutdown) | ✓ |
| | Remote desktop | ✓ (VNC) |
| | Audio Controls | ✓* |
| | Connection Status | ✓ |
| | Hardware Status | ✓* |
| | Hard Disk Status | ✓* |
| | Batch Operation Support | ✓ |
| | OTA Storage Management | FTP |
| | OTA Software Updates | ✓ |
| Software Watchlist | ✓ | |
| *Dependant on device model | Software Start/Stop | ✓* |

Note: DeviceOn/iService software must be downloaded from the Advantech website at <https://www.advantech.com/search?q=DeviceOn%2FiService&st=support&sst=Utility>

Dimensions

Unit: mm



Ordering Information

| Part No. | Description |
|-----------------|---|
| UTC-515G-PE | 15.6" 9H PCT.T/S with Intel Pentium N4200, 4GB RAM, IT Adapter |
| UTC-515GP-ATB0E | 15.6" 7H PCT.T/S with Intel Pentium N4200, 4GB RAM, IT Adapter |
| UTC-515GR-ATB0E | 15.6" Resi.T/S with Intel Pentium N4200, 4GB RAM, IT Adapter |
| UTC-515H-PE | 15.6" 9H PCT.T/S with Intel Core i3-8145UE, 8GB RAM, IT Adapter |
| UTC-515HP-ATB0E | 15.6" 7H PCT.T/S with Intel Core i3-8145UE, 8GB RAM, IT Adapter |
| UTC-515HR-ATB0E | 15.6" Resi.T/S with Intel Core i3-8145UE, 8GB RAM, IT Adapter |
| 1702002600 | Power Cord 3P UL/CSA(USA) 125V 10A 1.83M 180D |
| 1702002605 | Power Cord 2P FRANCE 10A/16A 220V 1.83M 90D |
| 1700000596 | Power Cord (China) CCC,10A 250V, 3P 1830mm |
| 1700018704 | Power Cord UK BSI 2P 10A 250V 180cm 18AWG |
| 1960060674N001 | IO Cover for UTC-515 series |

Peripherals for UTC-500 series

| Part No. | Description |
|-------------|---|
| UTC-P01-A1E | 5M Camera Module For UTC-5XX (USB connection) |
| UTC-P02-A0E | Magnet Strip Reader For UTC-5XX (USB connection) |
| UTC-P03-A1E | RFID / NFC Reader For UTC-5XX (USB connection) |
| UTC-P06-A2E | Smart Card Reader For UTC-5XX (USB connection) |
| UTC-P07-A4E | 2D Barcode Module (Honeywell) for UTC-500 Series (USB connection) |
| UTC-P09-A0E | Fingerprint reader for UTC-5xx (USB connection) |
| UTC-P21-A3E | 2D Barcode reader + RFID + SCR |

Installation Accessory

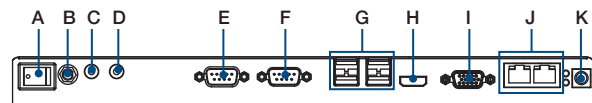
| Part No. | Description |
|--------------------|---|
| 96PD-00824 | UTK-700 Desktop Stand (w/o Printer) |
| 96PD-00825 | UTK-700 Extension Tower (For 96PD-00824 only) |
| UTC-520-STAND1E | Desktop stand for UTC-515/520 |
| UTC-T01-STAND | Triangle shape floor stand |
| UTC-H01-STANDE | H-shaped floor stand |
| ARES-2424X-S170201 | Table Stand, 100x100/75x75 |
| ARES-12250-L101000 | Wall Mount, 75/100mm |

UTC-515 WiFi Ordering Information

| Part No. | Description |
|--------------|---|
| UTC-WIFI-A4E | EWM-W163M201E 802.11ac/a/b/g/n 2T2R WIFI with BT 4.1 QCA6174A, M.2 2230 |
| UTC-WIFI-A5E | AIW-163BR 802.11ax with BT5.2, PCIe-USB, Realtek 8852BE, M.2 2230 |

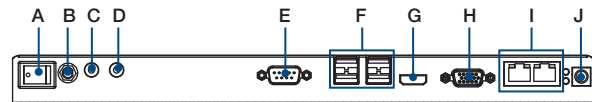
Fully- Integrated I/O

UTC-515G



- A. Power switch
- B. Antenna Port
- C. Line-out
- D. Mic-in
- E. COM2
- F. COM1
- G. USB 3.0 x 2, USB 2.0 x 2
- H. HDMI
- I. VGA
- J. LAN Ports x 2
- K. DC Input

UTC-515H



- A. Power switch
- B. Antenna Port
- C. Line-out
- D. Mic-in
- E. COM2
- F. USB 3.1 x 4
- G. HDMI
- H. COM1
- I. LAN Ports x 2
- J. DC Input

DeviceOn/iService

Unified Remote Device Management Software



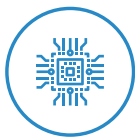
Features

- Supports Advantech devices equipped with Windows, Android, and Linux OS
- Flexible device, location, user, and permissions management
- Enables remote monitoring and control of hardware, software, and peripherals
- Supports over-the-air (OTA) firmware and software updates
- Ensures quick, easy, and secure device onboarding
- RESTful APIs for third-party system integration

Introduction

Advantech's DeviceOn/iService is a next-generation unified device management solution based on the WISE-DeviceOn platform. Designed to enable centralized monitoring and remote management, DeviceOn/iService supports Advantech devices equipped with Windows, Linux, or Android operating systems. The software also supports the management of applications and integrated peripherals, such as a barcode scanner, card reader, camera, and printer. Users can remotely access and control connected devices, take screenshots, rollout OTA upgrades, and use remote desktop capabilities for troubleshooting from any location at any time. Moreover, DeviceOn/iService supports batch operations to facilitate the management of multiple devices simultaneously for easy and convenient device configuration and deployment.

Total Management



Devices & Hardware

- Windows, Linux, Android
- Hardware, storage, battery



Software & Peripherals

- Software monitoring & access
- Screens, USB devices, printers



Open for Expansion

- Peripheral integration
- Open APIs for integration

Remote Access



Real-Time Monitoring

- Connection/hardware status
- Software/peripheral status
- Failure notifications



Remote Controls

- Power controls
- Audio, backlight controls
- Software controls



Troubleshooting

- Screenshots
- Remote desktop support

Operational Efficiency



OTA updates

- System/software updates
- File repository management
- App store



Batch Controls

- 1-to-many batch reboot, etc.
- Time-saving tasks

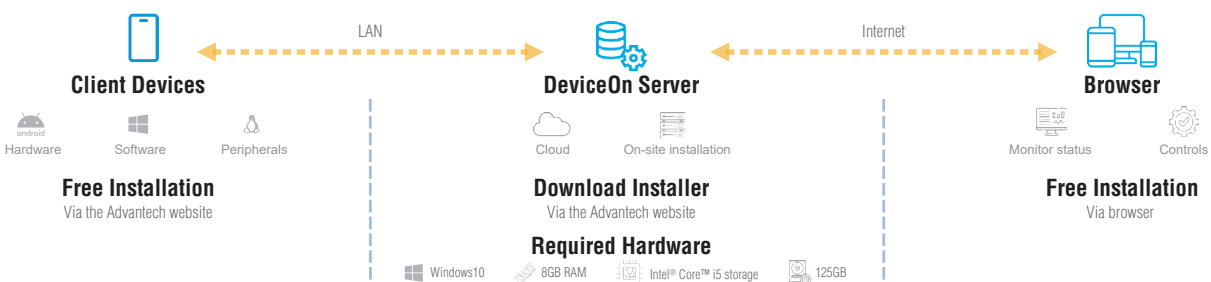


Setup Booster

- Software/peripheral watchlist
- Roles, rule templates

Note: Some functions may vary according to the product

System Architecture



Tento produkt můžete zakoupit u společnosti AutoCont IPC a.s.



AutoCont IPC a.s.

Váš dodavatel průmyslových počítačů, komponent a speciálních průmyslových IT systémů.

 Uhlířská 1064/3, 710 00 Ostrava, Česká republika

 obchod@autocont-ipc.cz

 +420 552 301 002

 www.autocont-ipc.cz



PRŮMYSLOVÉ POČÍTAČE

fanless embedded PC, do racku, ...



POČÍTAČE S DISPLEJEM

panelové PC, terminály, do vozidel, ...



AUTOMATIZACE A SBĚR DAT

převodníky, karty, moduly, switche, ...



PERIFERIE A KOMPONENTY

monitory, klávesnice, desky, skříně, ...



NOTEBOOKY A TABLETY

odolné, windows, android, IP65, ...



INFORMAČNÍ KIOSKY

interiérové, venkovní, ...



MEDICÍNSKÁ TECHNIKA

počítače, tablety, LCD, klávesnice, ...



SOFTWAREVÁ ŘEŠENÍ

pro výrobu, zaměstnance, kiosky, ...



PŘEJÍT DO E-SHOPU

eshop.autocont-ipc.cz



DOPRAVA ZDARMA

Doprava zdarma v ČR a SR při objednávce nad 10 000 Kč bez DPH nebo nad 400 EUR.



PRODLOUŽENÁ ZÁRUKA

Záruka 2 roky na vyráběné počítače s možností jejího prodloužení až na 5 let.



ODMĚNA ZA VĚRNOST

Pravidelní zákazníci u nás nakupují za nižší ceny. Výše slevy se odvíjí od realizovaného obrátu.



SERVIS ON-SITE A IN-TIME

K projektovým dodávkám nabízíme rozšířenou podporu a servis s garancí výměny zařízení do 48 hodin.