

USC-250 Series

15" Ubiquitous Service Computer with Intel® Celeron 3955U or 3965U / Core i3-6100U or i3-7100U / i5-6300U or i5-7300U



DeviceOn/iService

Features

- Equipped with DeviceOn / iService software for remote device management
- 15" TFT LCD (LED backlight) with PCAP Touch
- Built in Intel® Celeron 3955U or 3965U / Core i3-6100U or i3-7100U / i5-6300U or i5-7300U
- Innovation "LEGO" stand design enable adaptable configurations
- Stylish design with Avalo stand
- IP65-rated front panel for water and dust resistance
- Clear Cable Management
- Low power & fanless operation without heat ventilation holes
- Easy replacement and maintenance design
- Easy peripheral mount design integrated
- Rich I/O and peripherals for diverse applications



Introduction

The USC-250, a new addition to the Avalo family, is featuring extremely fast and powerful performance powered by the 6th generation Intel® processor. The USC-250 radiates in its new design – featuring an ultra-slim and sleek look that exhibits elegance. It is uncompromising to the space requirements and provides better cable management and easy maintenance. The USC-250 is taking service computer design into the next level, setting your brand image apart from the others.

Moreover, USC-250 is equipped with Advantech's DeviceOn/iService software, which is a next-generation unified device management solution based on the WISE-DeviceOn platform. With support for batch operations and multi-device control, DeviceOn/iService enables easy device configuration and deployment for convenient remote device management

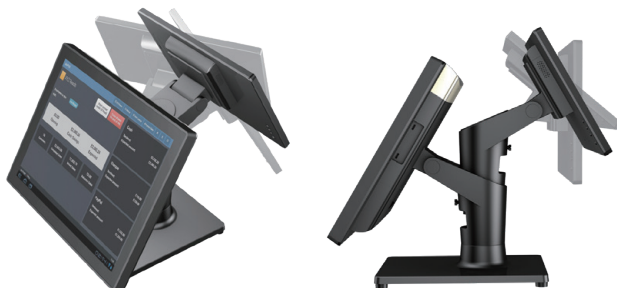
Features Highlight



Innovative expendable design for flexible installment



Easy replacement and maintenance design



Adjustable 2nd display



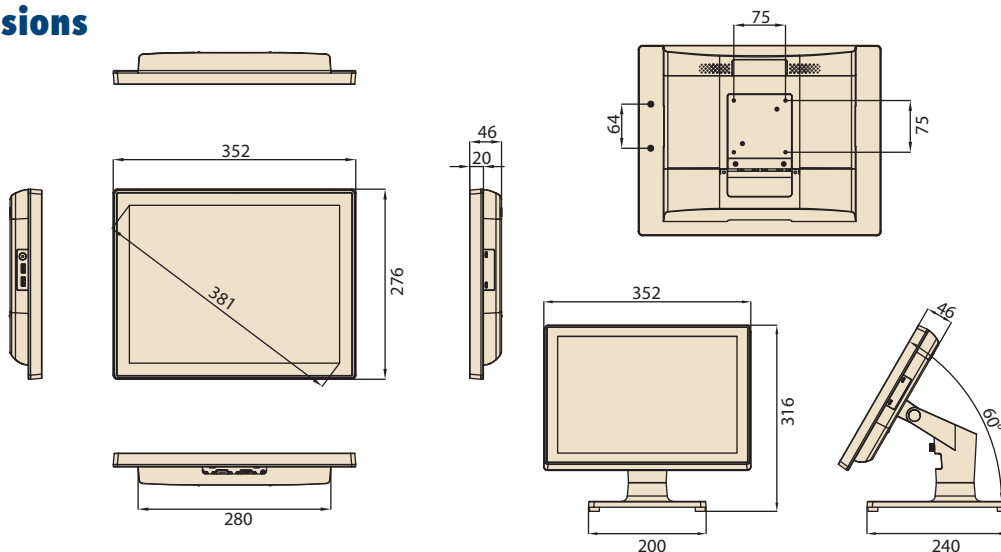
Support Wall Mount&VESA mount

Specifications

Model	USC-250	
Processor	Skylake-U, i5-6300U/ i3-6100U/Celeron 3955U, Kabylake-U i5-7300U/ i3-7100U/ Celeron 3965U	
Memory	Technology	DDR4-2133
	Max. Capacity	16G
	Socket	1 x 260 pin SO-DIMM
Storage	2 x M.2 SSD support RAID 0,1	
Panel	15" TFT LCD Display (1024 x 768), 300 cd/m2	
Touch Screen	Projected Capacitive Touch Panel (PCAP, Flat Glass)	
Bus Expansion	1 x M.2 Slot (for Wifi & BT)	
Audio	2 x 2W speaker installed, 1 x Line out	
Power Supply	84W power adapter	
Serial Port	2 x COM RS232 ports on I/O board via RJ-48 connector, no power 2 x COM RS232 ports on I/O board via DB9 connector, support 5V & 12V by order COM1 support RS232/422/485	
USB Port	External: 4 x USB 3.0, 2 x USB 2.0, 2 x Micro-USB (2 on right side); Internal: 2 x USB2.0 1 x 12V power USB, 1 x 24V power USB (optional)	
Ethernet	2 x RJ-45 INTEL Gigabit Ethernet(10/100/1000)--I211AT,I219LM	
Display Output	1 x VGA	
Cash Drawer	1 x , control 2 CR via optional Y-cable, 24V default, 12V by order	
DC-In	12V	
DC- output	12V	
IPXX	IP65 front panel protection	
Dimension (W x H x D)	352(W) x 316(H) x 240(D)mm	
Weight	5.1KG (Net weight) / 7.4 KG (Gross weight)	
Operating Temp.	0 - 40° C	
Relative Humidity	10 - 90% @ 40° C	
Shock	10G peak acceleration (11ms duration)	
Vibration	5-500Hz 0.5Grms, random	
EMC / Safety	CE, CCC, UL, FCC, CB/LVD, VCCI, BSMI	
OS Support	POSReady 7, Windows 7 Pro, Windows 8.1 Pro (64-bit), Windows 10 IoT Enterprise, Linux Kernel 3.13 or above	
DeviceOn/Service Remote Device Management	Operating System	Windows 10
	Common Controls (Reboot, Shutdown)	✓
	Remote desktop	✓(VNC)
	Audio controls	✓
	Connection Status	✓
	Hardware Status	✓
	Hard Disk Status	✓
	Batch Operation Support	✓
	OTA Storage Management	FTP
	OTA Software Updates	✓
	Software Watchlist	✓
	Software Start/Stop	✓
	Peripherals Watchlist	✓

Dimensions

Unit: mm



Ordering Information

Part No.	Description
USC-250FP-BCL00	15", PCAP, 3955U, Barebone, W/O stand
USC-250FP-BI300	15", PCAP, i3-6100U, Barebone, W/O stand
USC-250FP-BI500	15", PCAP, i5-6300U, Barebone, W/O stand
USC-250FP-BCL20	15", PCAP, 3955U, Barebone, W/ A stand
USC-250FP-BI320	15", PCAP, i3-6100U, Barebone, W/ A stand
USC-250FP-BCL30	15", PCAP, 3955U, 4G RAM, 64G SSD, W/ A stand
USC-250FP-BI330	15", PCAP, i3-6100U, 4G RAM, 64G SSD, W/ A stand
USC-250GP-BCL00	15", PCAP, KBL 3965U, Barebone, W/O stand
USC-250GP-BI300	15", PCAP, KBL i3-7100U, Barebone, W/O stand
USC-250GP-BI500	15", PCAP, KBL i5-7300U, Barebone, W/O stand

POS Peripherals

Part No.	Description
USC-P01-B110	VFD, Rear mount, black
UPOS-M10G-BST10	10.1" 2nd display, rear mount, black
USC-M3G-BST00	11.6" 2nd display, VESA mount, black
USC-M3P-BST00	11.6" 2nd display, PACP touch, VESA mount, blk
UPOS-M15G-AST00	15" 4:3 monitor Glass HDMI VGA BK
UPOS-M15P-AST02	15" 4:3 monitor P-touch BK w/USB VGA cable
USC-P03-B110	MSR, USB for USC Series, black
USC-P03-B112	ibutton, USB for USC Series, black
USC-P03-B114	RFID, USB for USC Series, black
USC-P05-B110	2D barcode scanner
USC-A-STAND-1	Avalo stand base for 1st display, black
USC-A-STAND-2	Tube stand for 2nd display, black
USC-A-STAND-3	Avalo stand extension pole for 3rd layer, black
UPOS-P07-A100	Double hinge stand, VESA75x75, Black

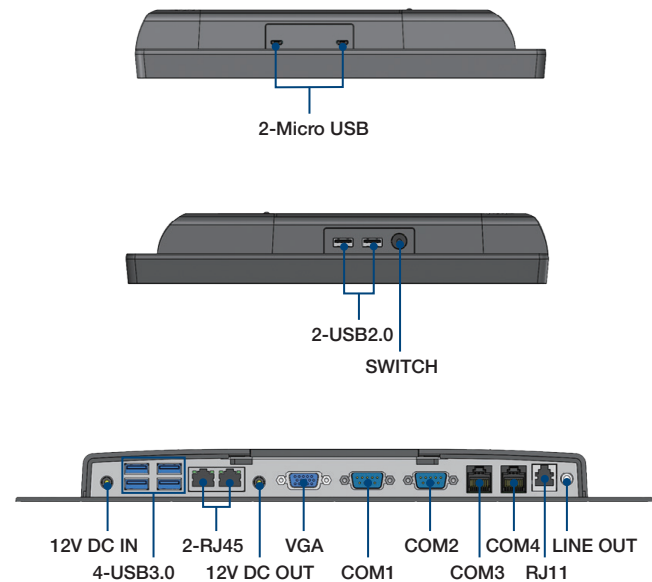
Installation Accessory

Part No.	Description
96CB-POWER-B-1.8MA	Power Cord (China) , 3P 1.8M, BK(CCC)
17AP164900518011	Power Cord CEE 7/16+C13 L1.8M (CE)
1700013977	Power Cord 10A 250V 3P 180/90 CCC 200cm (CCC)
1702002600	Power Cord 3P UL/CSA(USA) 125V 10A 1.83M 180D
1700020098	Power Cord 3P 10A 250V 183CM (Australian)
1702002605	Power Cord 2P FRANCE 10A/16A 220V 1.83M 90D (EU)
1700001714	Power Cord BSMI 3P 7A 125V 18AWG 180CM (BSMI)
1700000237	Power Cord 3P PSE 12A 125V 1.83M (Japan)
1700018704	Power Cord BSI 2P 10A 250V 180cm (UK)
1700025855-01	Power Cord ISI 3P 10A 250V 183cm (INDIA)
EWM-W163M201E	Advantech Brand, 802.11 a/b/g/n/ac, Atheros QCA6174A, 2T2R, with BT4.1 (Low energy operation) (A-E key), M.2 2230
1750008603-01 *2	PCB Ant.D.B 2.4+5G WIFI 250 BLK IPEX IV 1.13Main

Operating System

Part No.	Description
20706WSR7S0001	img PR7 USC-250 64b V1.0 ENU
20706WX9VS0005	img W10 19VL USC-250 64b 1809 ENU
20706WX9ES0008	img W10 19EL USC-250 64b 1809 ENU

I/O Interface



DeviceOn/iService

Unified Remote Device Management Software



Features

- Supports Advantech devices equipped with Windows, Android, and Linux OS
- Flexible device, location, user, and permissions management
- Enables remote monitoring and control of hardware, software, and peripherals
- Supports over-the-air (OTA) firmware and software updates
- Ensures quick, easy, and secure device onboarding
- RESTful APIs for third-party system integration

Introduction

Advantech's DeviceOn/iService is a next-generation unified device management solution based on the WISE-DeviceOn platform. Designed to enable centralized monitoring and remote management, DeviceOn/iService supports Advantech devices equipped with Windows, Linux, or Android operating systems. The software also supports the management of applications and integrated peripherals, such as a barcode scanner, card reader, camera, and printer. Users can remotely access and control connected devices, take screenshots, rollout OTA upgrades, and use remote desktop capabilities for troubleshooting from any location at any time. Moreover, DeviceOn/iService supports batch operations to facilitate the management of multiple devices simultaneously for easy and convenient device configuration and deployment.

Total Management



Devices & Hardware

- Windows, Linux, Android
- Hardware, storage, battery



Software & Peripherals

- Software monitoring & access
- Screens, USB devices, printers



Open for Expansion

- Peripheral integration
- Open APIs for integration

Remote Access



Real-Time Monitoring

- Connection/hardware status
- Software/peripheral status
- Failure notifications



Remote Controls

- Power controls
- Audio, backlight controls
- Software controls



Troubleshooting

- Screenshots
- Remote desktop support

Operational Efficiency



OTA updates

- System/software updates
- File repository management
- App store



Batch Controls

- 1-to-many batch reboot, etc.
- Time-saving tasks

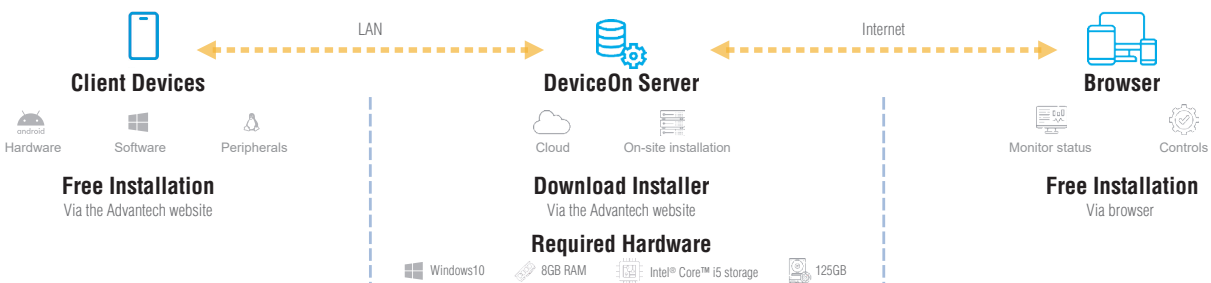


Setup Booster

- Software/peripheral watchlist
- Roles, rule templates

Note: Some functions may vary according to the product

System Architecture



Tento produkt můžete zakoupit u společnosti AutoCont IPC a.s.



AutoCont IPC a.s.

Váš dodavatel průmyslových počítačů, komponent a speciálních průmyslových IT systémů.

 Uhlířská 1064/3, 710 00 Ostrava, Česká republika

 obchod@autocont-ipc.cz

 +420 552 301 002

 www.autocont-ipc.cz



PRŮMYSLOVÉ POČÍTAČE

fanless embedded PC, do racku, ...



POČÍTAČE S DISPLEJEM

panelové PC, terminály, do vozidel, ...



AUTOMATIZACE A SBĚR DAT

převodníky, karty, moduly, switche, ...



PERIFERIE A KOMPONENTY

monitory, klávesnice, desky, skříně, ...



NOTEBOOKY A TABLETY

odolné, windows, android, IP65, ...



INFORMAČNÍ KIOSKY

interiérové, venkovní, ...



MEDICÍNSKÁ TECHNIKA

počítače, tablety, LCD, klávesnice, ...



SOFTWAREVÁ ŘEŠENÍ

pro výrobu, zaměstnance, kiosky, ...



PŘEJÍT DO E-SHOPU

eshop.autocont-ipc.cz



DOPRAVA ZDARMA

Doprava zdarma v ČR a SR při objednávce nad 10 000 Kč bez DPH nebo nad 400 EUR.



PRODLOUŽENÁ ZÁRUKA

Záruka 2 roky na vyráběné počítače s možností jejího prodloužení až na 5 let.



ODMĚNA ZA VĚRNOST

Pravidelní zákazníci u nás nakupují za nižší ceny. Výše slevy se odvíjí od realizovaného obrátu.



SERVIS ON-SITE A IN-TIME

K projektovým dodávkám nabízíme rozšířenou podporu a servis s garancí výměny zařízení do 48 hodin.