

PPC-421W

21.5" Fanless Widescreen Panel PC with Intel® 13th Gen Core™ i7/i5/i3 Processor



Features

- 21.5" true-flat Full HD LCD panel with projected capacitive touchscreen, anti-glare coating
- Intel® Core™ i7-1365URE/i5-1345URE/i3-1315URE processor with fanless system design
- Supports PCIe x4 or PCI expansion
- 1 x isolated RS-422/485 with auto flow
- Wide input power range (9 ~ 32 V_{DC})
- Dual 2500BASE-T Ethernet Supports Time-Sensitive Network(TSN) technology
- 3 x Independent displays
- 1 x M.2 bay (2242/2280) for storage only
- Support TPM2.0 hardware security
- Supports VESA 75/100 mounting interface



Introduction

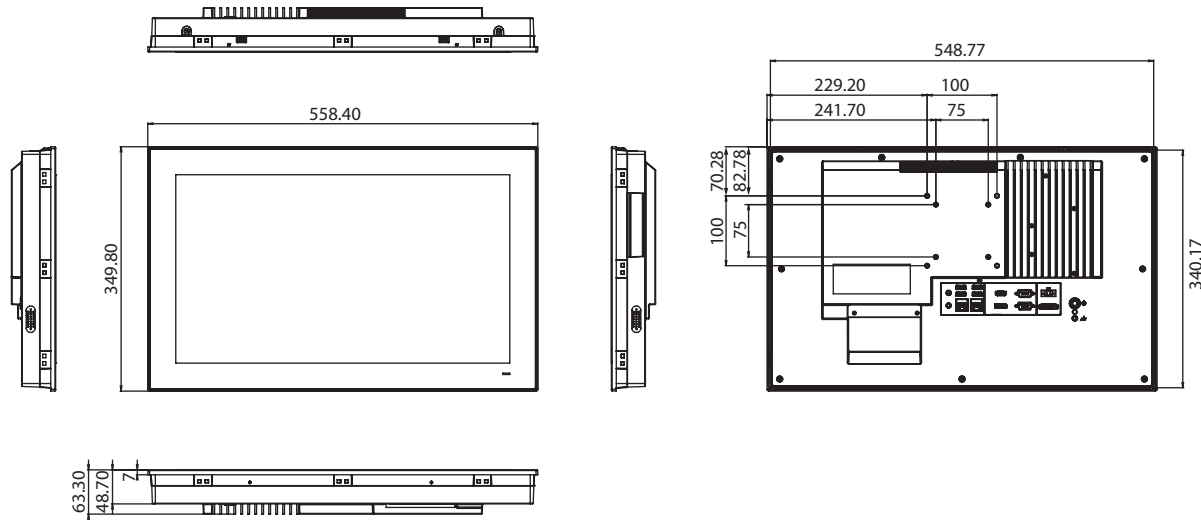
Designed for high-performance computing 13th gen applications, PPC-421W with a 21.5" FHD provides a superior human-machine interface and reliability, with multi-touch screen, rich I/O and aluminum alloy front bezel. The inclusion of PCIe/PCI slot for fieldbus or proprietary card expansion increases the system's compatibility for diverse applications. In addition, Time Sensitive Network(TSN)configuration integrated allows more possibilities for optimized industrial applications.

Specifications

| | | | | |
|---------------------------------|--------------------------------|--|----------------------------------|----------------------------------|
| System | CPU | i7-1365URE | i5-1345URE | i3-1315URE |
| | Core | 10 | 10 | 6 |
| | Frequency | 1.70 GHz upto 4.9 GHz with Turbo | 1.40 GHz upto 4.6 GHz with Turbo | 1.20 GHz upto 4.5 GHz with Turbo |
| | Cache | 12 MB Intel® Smart Cache | 12 MB Intel® Smart Cache | 10 MB Intel® Smart Cache |
| | Memory | 2 x SODIMM, DDR5 4800, max. 32GB x 2 | | |
| | Storage | 2 x 2.5" SATA bay (Max. 7mm) 1 x M.2 2242/2280 M Key slot for Storage (SATA or NVME PCIe x 4 , support SATA RAID) | | |
| | Network (LAN) | 2 x Intel I226LM controller; Speed: 10M / 100M / 1000M / 2.5G | | |
| | I/O | 5 x Serial ports: 2 x RS-232, 1 x RS-422/485 with 1K VDC isolation, 2 x RS-232 (on right side optional) 3 x USB 3.2, 1 x USB2.0 1 x Line-Out, 1 x Mic-In 1 x HDMI 1.4 1 x DisplayPort (1.4a) 1 x 8bit GPIO (optional) | | |
| | Expansion | 1 x M.2 2230 E Key slot for wireless card 1 x PCIe x 4; 1 x PCI (optional) | | |
| | Watchdog Timer | 255 timer levels, set up by software | | |
| Security | 1 x TPM2.0 | | | |
| Speaker | 2 x 1W | | | |
| Physical Characteristics | Dimensions | 558.4 x 349.8 x 63.8 (22.0 x 13.7 x 2.5 in) | | |
| | Enclosure | Front bezel: Die cast aluminum alloy Rear: PC+ABS | | |
| | Mounting | Panel / VESA (75/100) | | |
| | Weight | 7.7 kg (17.1 lb) | | |
| OS Support | OS Support | Microsoft® Windows 11 (64-bit), Win 10 IOT LTSC, Linux | | |
| Power Consumption | Input Voltage | 9 ~ 32 V _{DC} | | |
| | Power Consumption | i5-1345URE Typ.75W Max.110W (Burn-in test 8.1 in Windows 10 64bit) | | |
| LCD | Display Type | 21.5" TFT LCD (LED backlight) | | |
| | Max. Resolution | 1920 x 1080 | | |
| | Viewing Angle | 89 (Left), 89 (Right), 89 (Up), 89 (Down) | | |
| | Luminance (cd/m ²) | 350 | | |
| | Contrast Ratio | 1000 | | |
| | Backlight Lifetime | 30,000 hr (min.) | | |
| Touchscreen | Touch Type | Multi-touch projected capacitive | | |
| | Light Transmission | 88 % ± 2 % | | |
| | Controller | USB interface | | |
| Environment | Operating Temperature | -20 ~ 60 °C (-4 ~ 140 °F) | | |
| | Storage Temperature | -30 ~ 60 °C (-22~140 °F) | | |
| | Relative Humidity | 95% @ 40 °C (Non-Condensing) | | |
| | Shock | Operating 10 G Peak Acceleration (11 ms Duration), Follows IEC 60068-2-27 | | |
| | Vibration | Operating Random Vibration Test 5 ~ 500Hz, 2Grms @with SSD, Follows IEC 60068-2-64 | | |
| | EMC | CE, FCC Class B, EN 61000-6-2, BSMI, UKCA | | |
| | Safety | CB, UL, CCC, UKCA | | |
| | Front Panel Protection | IP66 compliant | | |

Dimensions

Unit: mm

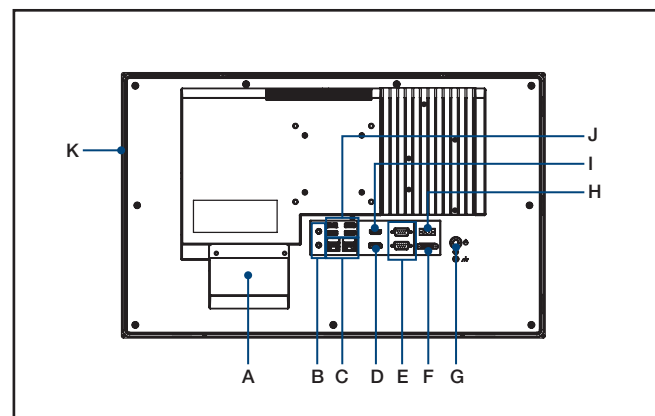


Panel Cutout Dimensions: 550.3 x 341.8 mm (21.66 x 13.45 in)

Ordering Information

| Part Number | Description |
|--------------------|---|
| PPC-421W-PD3A | 21.5" PPC w/Intel i3-1315URE, P-CAP |
| PPC-421W-PD5A | 21.5" PPC w/Intel i5-1345URE, P-CAP |
| PPC-421W-PD7A | 21.5" PPC w/Intel i7-1365URE, P-CAP |
| 96PSA-A150W19P2-4 | Power adapter 100-240V 150W 19V |
| 1702002600 | Power Cable UL/CSA (USA) 180D 125V10A 1.83M |
| 1702002605 | Power Cable 90D 220V EUROPEAN 250V/6A 1.8M |
| 1700000237 | Power Cord PSE 3P 12A 125V 183cm |
| 96CB-POWER-B-1.8MA | Power code 3P CCC(China) 1.8M |
| PPC-174T-WL-MTE | Wall mount kit for PPC series |
| PPC-STAND-A1E | Stand for PPC series |
| PPC-ARM-A03 | ARM VESA Standard for PPC series |
| PPC-WLAN-D2 | M.2, WiFi6 +BT5.2, 2T2R, w/Antenna |
| 98R3P321100 | Additional ports module (either two RS-232 or one RS-232 and one GPIO port) |
| 989KB01001E | PClex1 to PCI riser card |

I/O View



- A. 1 x Expansion slot (PCI or PCIe x1)
- B. 1 x Mic-In/Line-Out
- C. 2 x Intel Gigabit Ethernet
- D. 1 x DisplayPort
- E. 2 x RS-232
- F. 1 x Isolated RS-422/485
- G. 1 x Power button
- H. 1 x DC inlet and AT/ATX switch
- I. 1 x HDMI
- J. 3 x USB3.2, 1 x USB2.0
- K. 2 x RS-232 (on right side optional)

Please note: If some optional modules are offered with the system, additional system certificates may be required in certain regions/countries. Please contact Advantech for certificate compliance.

Tento produkt můžete zakoupit u společnosti AutoCont IPC a.s.



AutoCont IPC a.s.

Váš dodavatel průmyslových počítačů, komponent a speciálních průmyslových IT systémů.

 Uhlířská 1064/3, 710 00 Ostrava, Česká republika

 obchod@autocont-ipc.cz

 +420 552 301 002

 www.autocont-ipc.cz



PRŮMYSLOVÉ POČÍTAČE

fanless embedded PC, do racku, ...



POČÍTAČE S DISPLEJEM

panelové PC, terminály, do vozidel, ...



AUTOMATIZACE A SBĚR DAT

převodníky, karty, moduly, switche, ...



PERIFERIE A KOMPONENTY

monitory, klávesnice, desky, skříně, ...



NOTEBOOKY A TABLETY

odolné, windows, android, IP65, ...



INFORMAČNÍ KIOSKY

interiérové, venkovní, ...



MEDICÍNSKÁ TECHNIKA

počítače, tablety, LCD, klávesnice, ...



SOFTWAREVÁ ŘEŠENÍ

pro výrobu, zaměstnance, kiosky, ...



PŘEJÍT DO E-SHOPU

eshop.autocont-ipc.cz



DOPRAVA ZDARMA

Doprava zdarma v ČR a SR při objednávce nad 10 000 Kč bez DPH nebo nad 400 EUR.



PRODLOUŽENÁ ZÁRUKA

Záruka 2 roky na vyráběné počítače s možností jejího prodloužení až na 5 let.



ODMĚNA ZA VĚRNOST

Pravidelní zákazníci u nás nakupují za nižší ceny. Výše slevy se odvíjí od realizovaného obrátu.



SERVIS ON-SITE A IN-TIME

K projektovým dodávkám nabízíme rozšířenou podporu a servis s garancí výměny zařízení do 48 hodin.