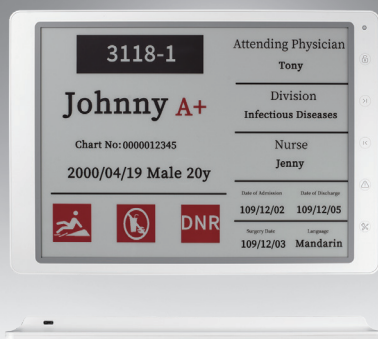


EPD-660, EPD-662

13.3" ePaper Wi-Fi Display Solution

NEW



Features

- ARM Cortex-M4 Core Processor
- Supports IEEE 802.11b/g/n
- 13.3" ePaper panel display: EPD-662 for red/black/white, EPD-660 for black/white (16 gray level)
- Multiple Control I/O: 5 buttons and 2 color LED
- Supports wide operating temperatures 0 ~ 40 °C; 32 ~ 105 °F (red/black/white), 0 ~ 50 °C; 32 ~ 122 °F (black/white without battery)
- High performance integrated system
- Supports upgrade over-the-air (OTA)
- Solution with WISE-3220 Wi-Fi AP and ARK DeviceOn/ePaper

Introduction

Advantech EPD-660 and EPD-662 ePaper solutions support 2.4GHz RF wireless protocols integrated within a 13.3" display solution with ARM Cortex-M4 processor. EPD-660 and EPD-662 support optimized power consumption and device management, delivering long battery lifetimes and a 2.4GHz Wi-Fi solution adaptable to diverse applications. These solutions offer multiple buttons and indicators for application control, and are integrated with RESTful APIs for DeviceOn/ePaper. They also support system integrator, yielding an effective, powerful solution.

Specifications

| | | | |
|----------------------------------|--|---|--------------------|
| ePaper Display | Screen Size | 285 x 213 mm; 13.3 in | |
| | Resolution | 1600x1200 pixels | |
| | Color | Black/white (16 gray level) or red/black/white | |
| Wireless Network | Standard | IEEE 802.11b/g/n | |
| | Frequency Band | 2.4000~2.4840 GHz for Wi-Fi and BLE | |
| Antenna | WLAN | IEEE 802.11b/g/n PCB Ant 2.4GHz WiFi with MHF Gain 4.2 dBi. WALSIN: RFPCA400817IMAB301 | |
| | Bluetooth | BT4.1 PCB Ant 2.4GHz BLE with MHF Gain 4.2 dBi. WALSIN: RFPCA400817IMAB301 | |
| System I/O | Function Button | SW reset/wake-up/HW reset button in reset hole | |
| | Page Button (Without button version doesn't contain this item) | P1 next page P2 previous page P3 13th page for alarm P4 14th page for system information | |
| Power | LED | Red: System alarm and abnormal battery status Green: Data transmit, battery starts charging, and button wake up | |
| | | Power Package Specification: | 8233mAh/5V DC-in |
| Environment | Operational Temperature | 0 ~ 40 °C; 32 ~ 104 °F (w/ battery, w/ button) | |
| | | 0 ~ 40 °C; 32 ~ 104 °F (w/o battery, Black,White,Red, w/ button) 0 ~ 50 °C; 32 ~ 122 °F (w/o battery, 16 grey, w/ button) | |
| | Non-Operational Temp. | 0 ~ 40 °C; 32 ~ 104 °F (w/ battery, w/o button) | |
| | | 0 ~ 40 °C; 32 ~ 104 °F (w/o battery, Black,White,Red, w/o button) -10 ~ 50 °C; 14 ~ 122 °F (w/ battery, w/ button) -10 ~ 60 °C; 14 ~ 144 °F (w/o battery, Black,White,Red, w/ button) -10 ~ 60 °C; 14 ~ 144 °F (w/o battery, 16 grey, w/ button) -10 ~ 50 °C; 14 ~ 122 °F (w/ battery, w/o button) -10 ~ 50 °C; 14 ~ 122 °F (w/o battery, Black,White,Red, w/o button) | |
| Operating Humidity | 5 ~ 80% relative humidity, non-condensing | | |
| Housing Mechanical (preliminary) | Material Type | Button version with IP65 plastic housing Non-button version with IP54 plastic housing | |
| | Dimension | 235 x 328 x 23 mm; 9.25 x 12.9 x .9 in | |
| | Weight | 1.2kg (2.64lb) with battery/button 0.9kg (1.98lb) w/o battery and w/ button 1.17kg (2.57lb) with battery and w/o button 0.865kg (1.90lb) w/o battery and w/ button | |
| EMC | CE/FCC/NCC/Telec | | |

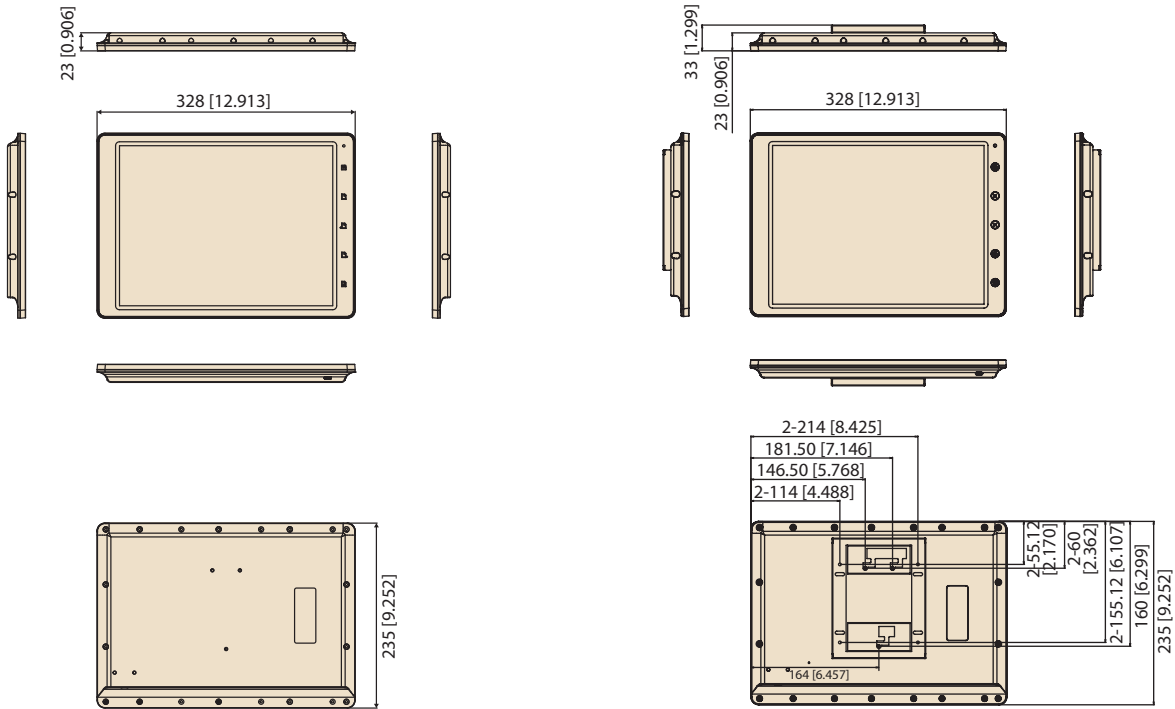
Note:

- The channel frequency selection can be supported by further plan.
- EPD Data Report and Wakeup behavior duration can be adjusted by different scenario from RESTful API
- System bundles wireless modules; which need RED compliance

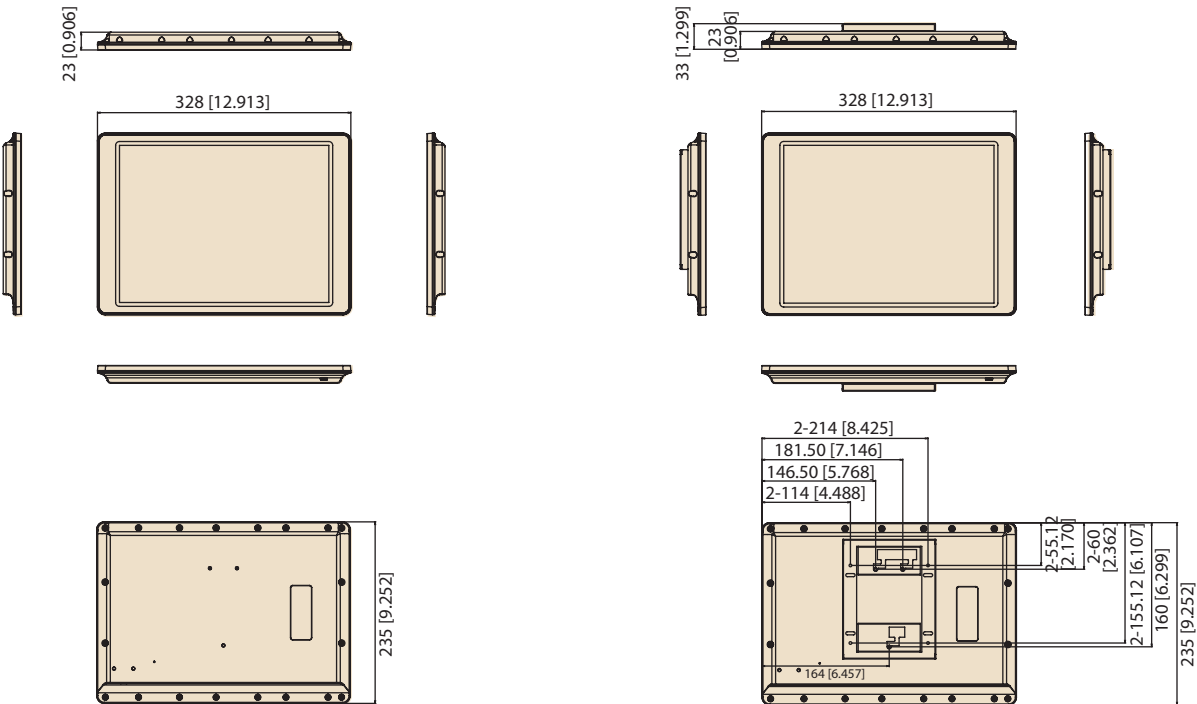
Dimensions

Unit: mm [inch]

Button version



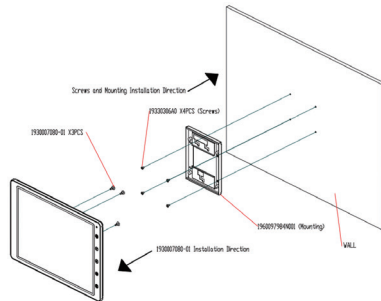
Non-button version



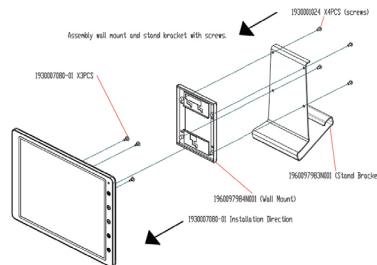
Dimensions

Bracket

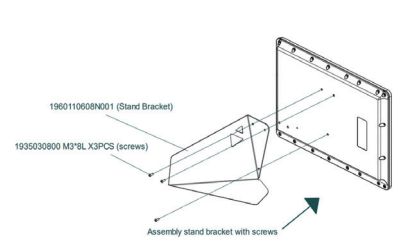
EPD-660-BK1



EPD-660-BK2



EPD-660-BK3



Ordering Information

| Model Name | Part Number | Description |
|------------|-------------|--|
| EPD-660 | EPD-660-002 | 13.3" B,W WiFi IP65 w/ battery |
| EPD-660 | EPD-660-102 | 13.3" B,W WiFi IP65 w/o battery |
| EPD-662 | EPD-662-002 | 13.3" R,B,W IP65 WiFi w/Battery |
| EPD-662 | EPD-662-102 | 13.3" R,B,W WiFi IP65 w/o battery |
| EPD-662 | EPD-662-003 | 13.3" RBW WiFi w/ battery w/o button and IP54 |
| EPD-662 | EPD-662-103 | 13.3" RBW WiFi w/o battery w/o button and IP54 |
| EPD-662 | EPD-662-004 | 13.3" RBW WiFi w/ battery w/ button and IP54 |
| EPD-662 | EPD-662-104 | 13.3" RBW WiFi w/o battery w/ button and IP54 |

Development Kit Ordering Information

| | Part No. | Description |
|-----------------------|-------------------------------------|---|
| EPD device | EPD-662-102 | 13.3" red/black/white ePaper Wi-Fi display system device in 2.4G |
| | EPD-660-102 | 13.3" black/white ePaper Wi-Fi display system device in 2.4G |
| | EPD-662-103 | 13.3" red/black/white ePaper Wi-Fi display system device in 2.4G |
| Router | WISE-3220IOS-21A1E | Wi-Fi AP and configuration router for EU |
| | WISE-3220IOS-21A1J | Wi-Fi AP and configuration router for JP |
| | WISE-3220IOS-21A1N | Wi-Fi AP and configuration router for NA |
| | WISE-3220IOS-21A1T | Wi-Fi AP and configuration router for TW |
| | WISE-3220IOS-21A1C | Wi-Fi AP and configuration router for China |
| ePaper Manager Server | ARK-1123H-EP2A2 for entry-level use | Ubuntu 18.4/128G SSD/8G RAM and build in ePaper Manager Software with 500 device licenses |
| | ARK-2250L-EP1A2 for enterprises | Ubuntu 18.4/1T HD/16G RAM and build in ePaper Manager Software with 500 device licenses |

* Ordering EPD device, WISE-3220, and ARK ePaper Manager Server one each to try Advantech wireless EPD display solution

Packing List

Before installing ePaper device system, please check the items that listed as below are in good condition. If there are any items which are not consistent with your goods, please contact with your dealer immediately.

EPD-660, EPD-662 EPD device

| Model Name | Part Number | Description |
|------------|-------------|--|
| EPD-660 | EPD-660-002 | 1. 13.3" B,W WiFi IP65 w/ battery 2. Type-C connector cable 100 cm (3.2 ft) |
| EPD-660 | EPD-660-102 | 1. 13.3" B,W WiFi IP65 w/o battery 2. Type-C connector cable 100 cm (3.2 ft) |
| EPD-662 | EPD-662-002 | 1. 13.3" R,B,W IP65 WiFi w/Battery 2. Type-C connector cable 100 cm (3.2 ft) |
| EPD-662 | EPD-662-102 | 1. 13.3" R,B,W WiFi IP65 w/o battery 2. Type-C connector cable 100 cm (3.2 ft) |
| EPD-662 | EPD-662-003 | 1. 13.3" RBW WiFi w/ battery w/o button and IP54 2. Type-C connector cable 100 cm (3.2 ft) |
| EPD-662 | EPD-662-103 | 1. 13.3" RBW WiFi w/o battery w/o button and IP54 2. Type-C connector cable 100 cm (3.2 ft) |
| EPD-662 | EPD-662-004 | 1. 13.3" RBW WiFi w/ battery w/ button and IP54 2. Type-C connector cable 100 cm (3.2 ft) |
| EPD-662 | EPD-662-104 | 1. 13.3" RBW WiFi w/o battery w/ button and IP54 2. Type-C connector cable 100 cm (3.2 ft) |

* All E Ink Panel inspection criteria refer to E Ink CAS & Inspection standard document.

Optional Accessories

| Model Name | Description |
|----------------|--|
| PSA-A45WM-U | ADP A/D 100-240V 45W 5/9/12/15/20V US Plug |
| EPD-660-BK1 | EPD-660.662 wall mount kit |
| EPD-660-BK2 | EPD-660.662 stand bracket kit |
| EPD-660-BK3 | EPD-660.662 wall mount kit_ID |
| 1960099319N001 | Type C plug bracket |
| 1930005541 | Screw for type-C bracket |

Tento produkt můžete zakoupit u společnosti AutoCont IPC a.s.



AutoCont IPC a.s.

Váš dodavatel průmyslových počítačů, komponent a speciálních průmyslových IT systémů.

 Uhlířská 1064/3, 710 00 Ostrava, Česká republika

 obchod@autocont-ipc.cz

 +420 552 301 002

 www.autocont-ipc.cz



PRŮMYSLOVÉ POČÍTAČE

fanless embedded PC, do racku, ...



POČÍTAČE S DISPLEJEM

panelové PC, terminály, do vozidel, ...



AUTOMATIZACE A SBĚR DAT

převodníky, karty, moduly, switche, ...



PERIFERIE A KOMPONENTY

monitory, klávesnice, desky, skříně, ...



NOTEBOOKY A TABLETY

odolné, windows, android, IP65, ...



INFORMAČNÍ KIOSKY

interiérové, venkovní, ...



MEDICÍNSKÁ TECHNIKA

počítače, tablety, LCD, klávesnice, ...



SOFTWAREVÁ ŘEŠENÍ

pro výrobu, zaměstnance, kiosky, ...



PŘEJÍT DO E-SHOPU

eshop.autocont-ipc.cz



DOPRAVA ZDARMA

Doprava zdarma v ČR a SR při objednávce nad 10 000 Kč bez DPH nebo nad 400 EUR.



PRODLOUŽENÁ ZÁRUKA

Záruka 2 roky na vyráběné počítače s možností jejího prodloužení až na 5 let.



ODMĚNA ZA VĚRNOST

Pravidelní zákazníci u nás nakupují za nižší ceny. Výše slevy se odvíjí od realizovaného obrátu.



SERVIS ON-SITE A IN-TIME

K projektovým dodávkám nabízíme rozšířenou podporu a servis s garancí výměny zařízení do 48 hodin.