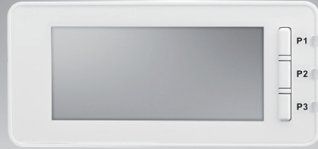


EPD-230, EPD-232

2.9" ePaper Solution Suite

NEW



Features

- ARM Cortex-M3 Core Processor
- Supported IEEE 802.15.4 / 2.4 G Networks
- 2.9" ePaper Panel Display
- Great for Low Power Consumption
- Multiple I/O Control with Three Buttons & Three LED
- Supported Temperature Range: 0 ~ 50 °C
- High Performance Integrated System with RTOS
- Supports Over-the-Air Upgrades upgrade (OTA)
- Solution with WISE-3240 Network Coordinator & ARK ePaper Manager Server

Introduction

EPD-230 , EPD-232 supports the ultra-low power 2.4GHz RF wireless protocol integrated with 2.9" EPD in an ARM Cortex-M3 processor. The module can support hospital, pharmacy, factory, warehouse and retail applications with optimal power consumption and device management. Your applications with low data rate requirements can achieve years long battery lifetimes and thousands of device connections.

The Advantech EPD-230 , EPD-232 provides multiple interfaces for application control which are highly integrated with the EPD driver and low power consumption system. EPD-230 , EPD-232 can auto-join network groups with the WISE-3240 IoT Router. Data can be easily acquired and transformed into a different format to communicate with ePaper Manager Server. System integrators can focus on application development and system management.

Specifications

| | | |
|--------------------------|-------------------------|--|
| Computing System | MCU | T1 32-bit ARM Cortex-M3 Processor |
| | Memory | RAM 28KB |
| Display | Screen Size | 79 x 36.7 mm |
| | Rresolution | 296 x 128 pixels |
| | Color | EPD-230 for Black & White, EPD-232 for Red/Black/White |
| Storage | Internal | Flash: 128 KB |
| | External | SPI Flash: 256 KB |
| Network | Standard | IEEE 802.15.4 |
| | Frequency Band | 2.4-GHz |
| | Channels | 11-26 |
| | Channel Separation | 5MHz |
| | Topology | Star network |
| | Transmit Power | -21dBm~ +5dBm |
| | Receiver Sensitivity | -100dBm |
| | RF Data Rate | 250 Kbps |
| | Function | End node |
| | Antenna | On-board Antenna |
| Reference Signal Range | | 15~20m |
| Interface | | LED x3 |
| | | Function Key x3 |
| Power | Battery | CR2450 x4 (2480mAh) |
| Environment | Operational Temperature | B/W color: 0 ~ 50 °C ,R/B/W color: 0 ~ 40 °C |
| | Non-Operational Temp. | -25 ~ 60 °C |
| | Operating Humidity | 5 ~ 80% Relative Humidity, non-condensing |
| Physical Characteristics | Dimensions (W x H) | 79.0 x 36.7 mm |
| | Weight | 80g with housing and battery |
| Operating System | | RTOS |
| Certification | EMC | CE/FCC/NCC |

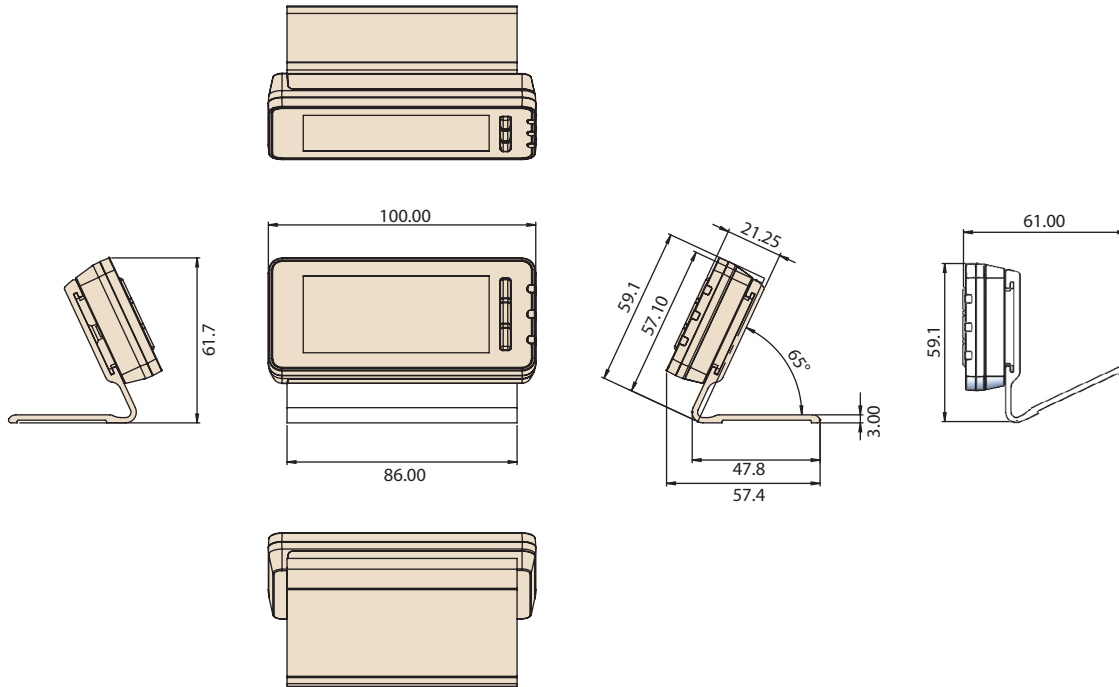
* Note:

- The channel frequency selection can be supported by further plan.
- EPD Data Report and Wakeup behavior duration can be adjusted by different scenario from RESTful API
- System bundles wireless modules; which need RED compliance

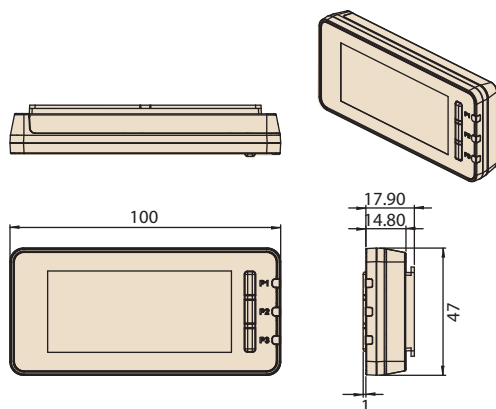
Dimensions

Unit: mm

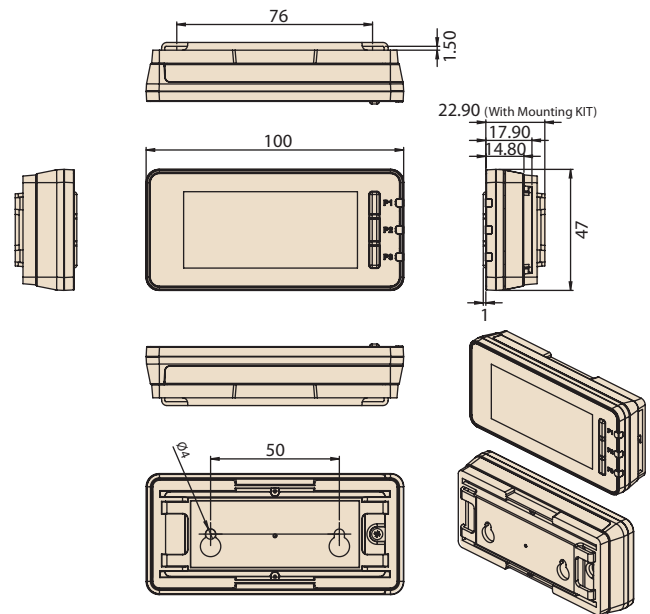
Device with Stand (1960110420T001)



Device



Device with Bracket (1990036330T000)



Ordering Information

| Model Name | Part No. | Description |
|------------|-------------|---|
| EPD-230 | EPD-230-001 | 2.9 black/white panel color ePaper display device solution in 2.4G. |
| | EPD-230-011 | 2.9 black/white panel color ePaper display device solution in 2.4G for 20pcs package. |
| EPD-232 | EPD-232-001 | 2.9 red/black/white panel color ePaper display device solution in 2.4G. |
| | EPD-232-011 | 2.9 red/black/white panel color ePaper display device solution in 2.4G for 20pcs package. |

Ubuntu development kit ordering information

| | Part No. | Description |
|----------------|--|---|
| EPD device | EPD-230-001 EPD-230-011 EPD-232-001 EPD-232-011 | 2.9 " Wireless ePaper display device solution in 2.4G |
| Router | WISE-3240IOS-41A1E | Wireless EPD 2.4G WiFi Network IoT Router in industrial grade for Europe |
| | WISE-3240IOS-41A1J | Wireless EPD 2.4G WiFi Network IoT Router in industrial grade for Japan |
| | WISE-3240IOS-41A1N | Wireless EPD 2.4G WiFi Network IoT Router in industrial grade for North America |
| | WISE-3240IOS-41A1T | Wireless EPD 2.4G WiFi Network IoT Router in industrial grade for Taiwan |
| | WISE-3240IOS-41A1C | Wireless EPD 2.4G WiFi Network IoT Router in industrial grade for China |
| | WISE-3240IOS-41B1E | Wireless EPD 2.4G WiFi Network IoT Router in commercial grade for Europe |
| | WISE-3240IOS-41B1T | Wireless EPD 2.4G WiFi Network IoT Router in commercial grade for Taiwan |
| ePaper manager | ARK-1123H-EP2A2 for Entry | Ubuntu 18.4/128G SSD/8G RAM and build in ePaper Manager Software with 500 device licenses |
| | ARK-2250L-EP1A2 for Enterprise | Ubuntu 18.4/1T HD/16G RAM and build in ePaper Manager Software with 500 device licenses |

Optional Accessories

| Part No. | Description |
|----------------|---------------------------------------|
| 1760002692-01 | 4 pcs CR2450 battery |
| 1990036330T000 | Wall Bracket |
| 1990036333T000 | Wall bracket Glue |
| 1960110420T001 | Bottom Frame for EPD-230 Liquid WHITE |

Packing List

| Model Name | Part No. | Description |
|------------|-------------|---|
| EPD-230 | EPD-230-001 | 2.9" Black/White ePaper device with battery |
| | EPD-230-011 | |
| EPD-232 | EPD-232-001 | 2.9" Red/Black/White ePaper device with battery |
| | EPD-232-011 | |

* All E Ink Panel inspection criteria refer to E Ink CAS & Inspection standard document.

* Note: E Ink Recommend condition for storage:

Temperature: 20 +/-10 degree C

Humidity : 60% RH+-10%RH, Non-condensing

* Note: If panel module have been put in low temperature between 0--25 degree C for a while, we recommend to leave it between 20 to 30 degree C for 4 days before assembly.

* Note: WISE-3240 industrial grade supports wider range of operation temperature and storage temperature. Please request WISE-3240 specification for the reference.

Tento produkt můžete zakoupit u společnosti AutoCont IPC a.s.



AutoCont IPC a.s.

Váš dodavatel průmyslových počítačů, komponent a speciálních průmyslových IT systémů.

 Uhlířská 1064/3, 710 00 Ostrava, Česká republika

 obchod@autocont-ipc.cz

 +420 552 301 002

 www.autocont-ipc.cz



PRŮMYSLOVÉ POČÍTAČE

fanless embedded PC, do racku, ...



POČÍTAČE S DISPLEJEM

panelové PC, terminály, do vozidel, ...



AUTOMATIZACE A SBĚR DAT

převodníky, karty, moduly, switche, ...



PERIFERIE A KOMPONENTY

monitory, klávesnice, desky, skříně, ...



NOTEBOOKY A TABLETY

odolné, windows, android, IP65, ...



INFORMAČNÍ KIOSKY

interiérové, venkovní, ...



MEDICÍNSKÁ TECHNIKA

počítače, tablety, LCD, klávesnice, ...



SOFTWAREVÁ ŘEŠENÍ

pro výrobu, zaměstnance, kiosky, ...



PŘEJÍT DO E-SHOPU

eshop.autocont-ipc.cz



DOPRAVA ZDARMA

Doprava zdarma v ČR a SR při objednávce nad 10 000 Kč bez DPH nebo nad 400 EUR.



PRODLOUŽENÁ ZÁRUKA

Záruka 2 roky na vyráběné počítače s možností jejího prodloužení až na 5 let.



ODMĚNA ZA VĚRNOST

Pravidelní zákazníci u nás nakupují za nižší ceny. Výše slevy se odvíjí od realizovaného obrátu.



SERVIS ON-SITE A IN-TIME

K projektovým dodávkám nabízíme rozšířenou podporu a servis s garancí výměny zařízení do 48 hodin.