

DLT-V6210

Rugged Vehicle-Mounted Terminal with Sunlight-Readable Display



Features

- Intel® Atom™ E3825 dual-core, 1.33 GHz, with 4 GB RAM
- 10.4" XGA color TFT display with 600/1300 cd/m² brightness for both indoor and outdoor applications
- Rugged, IP65-rated design with 5M3 certification
- IK08-certified touchscreen for impact tolerance and abrasion resistance
- Wide operating temperature range (-30 ~ 50 °C/-22 ~ 122 °F) to withstand extreme environments
- Support latest WLAN standard with seamless Wi-Fi roaming capability
- Support WWAN for outdoor operations

Introduction

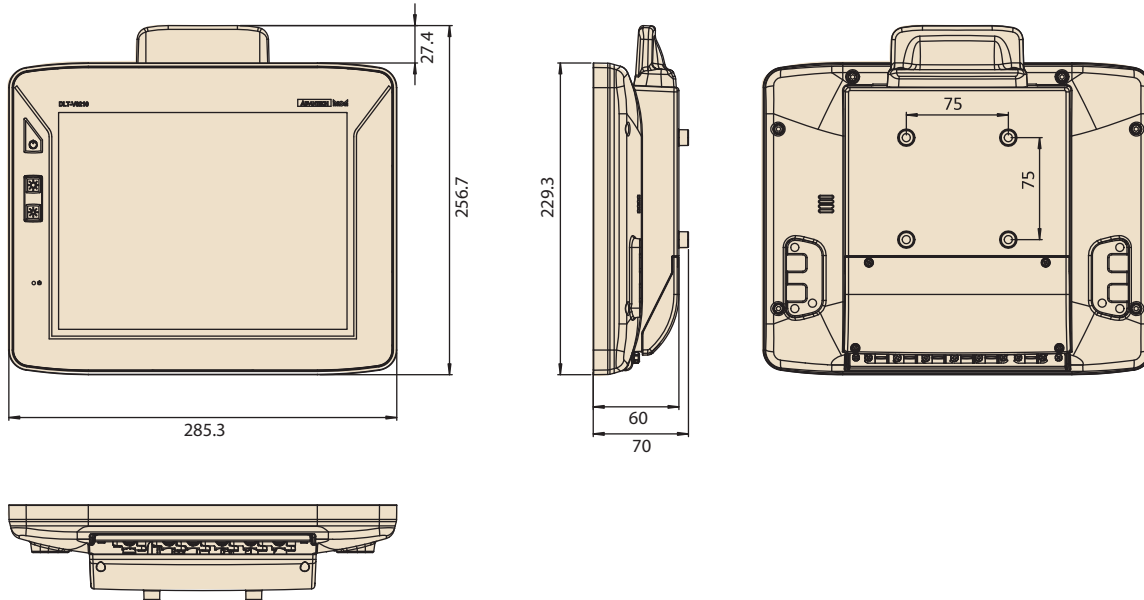
DLT-V6210 is a rugged vehicle-mounted terminal designed for efficient logistics applications. With its IP65-rating for protection from water and dust ingress, wide operating temperature range (-30 ~ 50 °C/-22 ~ 122 °F), rugged design, as well as impact-tolerant, scratch-resistant projected capacitive multi-touch display, DLT-V6210 is built to withstand operation in extreme industrial environments. Moreover, the terminal's sunlight-readable display supports operation in direct sunlight for outdoor applications. Finally, a low-profile external Wi-Fi antenna is included to ensure reliable connectivity for logistics and fleet management.

Specifications

System	CPU	Intel® Atom™ E3825 dual-core, 1.33 GHz, with 4 GB RAM
	Memory	64 GB CFast
Dimensions (W x H x D)		285.3 x 256.7 x 70 mm (11.23 x 10.11 x 2.76 in)
Weight		3.2 kg (7.05 lb)
Housing		Coated aluminum with completely sealed, fanless design
Display		10.4" XGA color TFT with 1024 x 768 resolution and 600/1300 cd/m ² brightness
Touchscreen	Type	Projected capacitive touchscreen with multi-touch control
Control Buttons	Front Panel	3 x control buttons (1 x power, 1 x brightness up, 1 x brightness down)
Software	Operating System	Windows 10 IoT Enterprise
Communication	WLAN	WLAN IEEE 802.11 a/b/g/n/ac (optional)
	WWAN	WWAN (LTE, UMTS, HSPA+, GSM, GPRS, EDGE) (optional)
	WPAN	Bluetooth 5.0
	LAN	2 x LAN RJ45 10/100/1000 Mbit/s
I/O Interfaces	Serial	1 x RS-232; 5 V _{DC}
	USB	2 x USB 2.0 host Type A, 1 x service USB 2.0 (under antenna cap for quick maintenance)
	External Antennas	1 x RSMA for WLAN, 2 x SMA for WWAN (optional)
	SIM Card	1 x mini SIM card slot
Audio		1 x integrated speaker (2W)
Power Supply		12/24/48 V _{DC} nominal voltages with automatic Power On/Off functionality via vehicle ignition
Environmental	IP Rating	IP65 rating for the entire system
	Operating Temperature	-30 ~ 50 °C (-22 ~ 122 °F)
	Relative Humidity	10 to 95% at 25 °C (77 °F), non-condensing
	Shock/Vibration	5M3 (EN 60721-3-5) and MIL-STD 810F (US highway truck vibration exposure)
Touchscreen Durability		IK 08
Certification		CE Immunity Class A, Emission Class B/FCC Class B (for EU and USA), VCCI (for Japan), CCC/SRRC (for China)

Dimensions

Unit: mm



Ordering Information

Part Number	Description	CPU	Memory	Storage	Wifi	BT	GPS	LTE	Antenna	OS
DLV6210-7PL100WF0	DLT-V6210FL 600nit/4G DRAM/64G Cfast/WIFI/Win10IoT	Intel Atom E3825 Dual Core 1.33GHz	4GB	64GB	V	V	X	X	2 in 1 (Red Cap)	Win 10
DLV6210-7PE11CWFO	DLT-V6210FL 600nit/64GB Cfast/WIFI/LTE Board/Win10 IoT	Intel Atom E3825 Dual Core 1.33GHz	4GB	64GB	V	V	X	V (via extra LTE module installed)	2 in 1 (Red Cap)	Win 10
DLV6210-8PE11LWFO	DLT-V6210FL 600nit/64GB Cfast/WIFI/LTE Board/Win10 IoT	Intel Atom E3825 Dual Core 1.33GHz	8GB	64GB	Spark Lan 261	V	X	V (via extra LTE module installed)	2 in 1 (Red Cap)	Win 10
DLV6210-8PE110WFO	DLT-V6210FL 600nit/64GB Cfast/WIFI/Win10 IoT	Intel Atom E3825 Dual Core 1.33GHz	8GB	64GB	Spark Lan 261	V	X	X	2 in 1 (Red Cap)	Win 10
DLT-V6210FL-BTO CTOS LTE Module kit										
Part Number	Description	Region	Memory	Storage	Wifi	BT	GPS	LTE	Antenna	OS
9768MDKT010	LTE Module kit for DLT-V6210FL EU	For EU	X	X	X	X	X	X	X	X
9768MDKT011	LTE Module kit for DLT-V6210FL China	For China	X	X	X	X	X	X	X	X
9768MDKT012	LTE Module kit for DLT-V6210FL JP	For Japan	X	X	X	X	X	X	X	X
9768MDKT013	LTE Module kit for DLT-V6210FL USA	For USA	X	X	X	X	X	X	X	X
360T0IGX261LIC	IGX package for window 7,8,1, 10 for 261ACN	Fast Roaming	X	X	X	X	X	X	X	X

Packing List

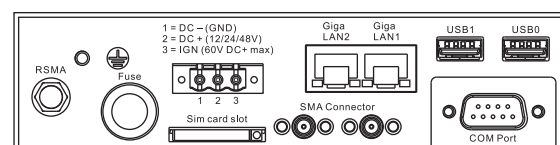
- Power Cable VDC 3m

Optional Accessories

Part Number	Description
DL-MTKT004	Mounting bracket 15° fixed
DL-MTRM001	RAM Mount double 1.5" (arm 150mm, tube mount)
DL-MTRM002	RAM Mount double arm 1.5" (2 arm 150mm)
DL-MTRM003	RAM-Mount long (arm 215mm/plate)
DL-MTRM004	RAM Mount short 2.25" (arm 130mm/plate)
DL-STYL010	Stylus with mounting, right, for PCT

Further configurations on request!

I/O Connectors



Tento produkt můžete zakoupit u společnosti AutoCont IPC a.s.



AutoCont IPC a.s.

Váš dodavatel průmyslových počítačů, komponent a speciálních průmyslových IT systémů.

 Uhlířská 1064/3, 710 00 Ostrava, Česká republika

 obchod@autocont-ipc.cz

 +420 552 301 002

 www.autocont-ipc.cz



PRŮMYSLOVÉ POČÍTAČE

fanless embedded PC, do racku, ...



POČÍTAČE S DISPLEJEM

panelové PC, terminály, do vozidel, ...



AUTOMATIZACE A SBĚR DAT

převodníky, karty, moduly, switche, ...



PERIFERIE A KOMPONENTY

monitory, klávesnice, desky, skříně, ...



NOTEBOOKY A TABLETY

odolné, windows, android, IP65, ...



INFORMAČNÍ KIOSKY

interiérové, venkovní, ...



MEDICÍNSKÁ TECHNIKA

počítače, tablety, LCD, klávesnice, ...



SOFTWAREVÁ ŘEŠENÍ

pro výrobu, zaměstnance, kiosky, ...



PŘEJÍT DO E-SHOPU

eshop.autocont-ipc.cz



DOPRAVA ZDARMA

Doprava zdarma v ČR a SR při objednávce nad 10 000 Kč bez DPH nebo nad 400 EUR.



PRODLOUŽENÁ ZÁRUKA

Záruka 2 roky na vyráběné počítače s možností jejího prodloužení až na 5 let.



ODMĚNA ZA VĚRNOST

Pravidelní zákazníci u nás nakupují za nižší ceny. Výše slevy se odvíjí od realizovaného obrátu.



SERVIS ON-SITE A IN-TIME

K projektovým dodávkám nabízíme rozšířenou podporu a servis s garancí výměny zařízení do 48 hodin.