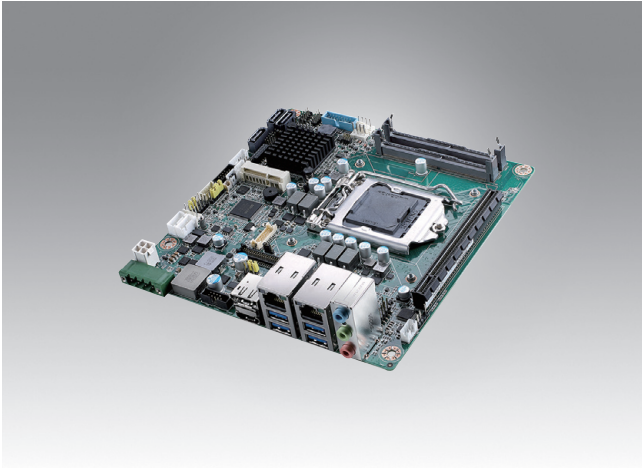


AIMB-275

Intel® 7th and 6th Gen Core™ processor, LGA1151 Mini-ITX Motherboard



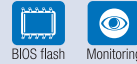
Features

- Supports Intel® 7th & 6th Gen Core™ i processor (LGA1151) with Intel Q170/H110 chipset
- Two 260-pin SO-DIMM up to 32GB DDR4 2133 MHz SDRAM
- Supports triple display of DP/HDMI/LVDS(eDP)
- Supports PCIe x16 (Gen 3), 1 F/S miniPCIe 1 M.2 (NGFF), 6 USB 3.0 and 3 SATA III
- Support wide range 12V-24V DC Input
- Supports Intel vPro, AMT 11.0, PECI 3.0, Software RAID 0,1,5,10, TPM2.0 (optional)
- Supports WISE-PaaS/DeviceOn and Embedded Software APIs

Software APIs:



Utilities:

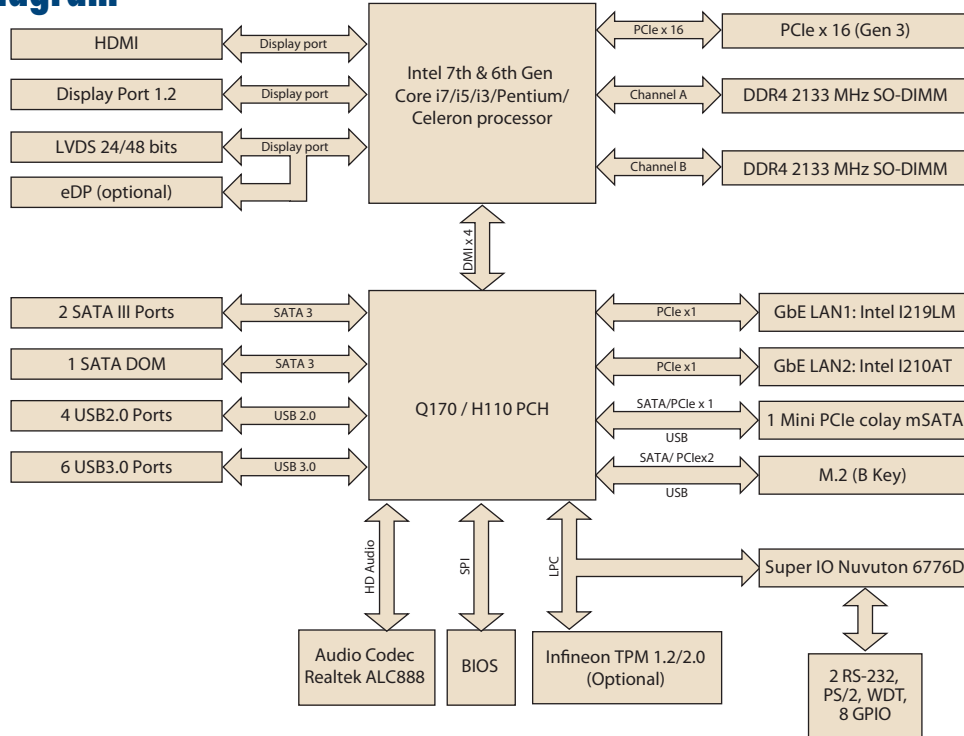


WISE-PaaS/ DeviceOn CE FCC RoHS COMPLIANT PRODUCT

Specifications

| | CPU | KBL-S SKL-S | i7-7700 i7-6700 | i7-7700T i7-6700TE | i5-7500 i5-6500 | i5-7500T i5-6500TE | i3-7101E i3-6100 | i3-7101TE i3-6100TE | - Pentium G4400/4400TE | - Pentium G3900/3900TE | |
|--------------------------|------------------------|----------------|--|--|--------------------|-----------------------|----------------------------|------------------------|------------------------------|------------------------------|--|
| Processor System | Core Number | | 4 | 4 | 4 | 4 | 2 | 2 | 2 / 2 | 2 / 2 | |
| | Max Speed | KBL-S SKL-S | 3.6GHz 3.4GHz | 2.9GHz 2.4GHz | 3.4GHz 3.2GHz | 2.7GHz 2.3GHz | 3.9GHz 3.7GHz | 3.4GHz 2.7GHz | 3.3GHz / 2.9GHz | 2.8GHz / 2.6GHz | |
| | L3 Cache | | 8M | 8M | 6M | 6M | 4M/3M | 4M | 3M / 3M | 2M / 2M | |
| | TDP | | 65W | 35W | 65W | 35W | 54W / 51W | 35W | 54W / 35W | 51W / 35W | |
| | Chipset | | Q170 / H110 | | | | | | | | |
| | BIOS | | AMI UEFI 128 Mbit SPI | | | | | | | | |
| | Expansion Slot | M.2 | | 1, B key for SSD and 3G supported (Type: 2242, 2280mm) | | | | | | | |
| Mini-PCIe | | | 1, F/S miniPCIe slot (with mSATA supported) | | | | | | | | |
| PCIe x16 (Gen3) | | | 16 GB/s per direction, 1 slot | | | | | | | | |
| Memory | Technology | | 2133/2400 MHz SDRAM | | | | | | | | |
| | Max. Capacity | | 32GB (up to 16GB per SO-DIMM) | | | | | | | | |
| | Socket | | 2 x 260 PIN DDR4 SO-DIMM (Non-ECC) | | | | | | | | |
| Graphics | Controller | | Supports OpenGL 5.x, DirectX12, OpenCL 2.X | | | | | | | | |
| | VRAM | | Shared system memory, 2 GB and above, total system memory shared 1 GB maximum video memory | | | | | | | | |
| | LVDS | | Supports dual channel 48-bit up to 1920 x 1200 | | | | | | | | |
| | HDMI | | Yes, supports max. resolution 4096 x 2160 @60 Hz (HDMI 2.0) | | | | | | | | |
| | eDP | | Yes, with internal pin header, supports max. resolution 4096 x 2160 @ 60 Hz | | | | | | | | |
| Ethernet | Display Port 1.2 | | Yes, supports max. resolution 3840 x 2160 @ 60Hz | | | | | | | | |
| | Triple Display | | DP++HDMI+LVDS, DP++HDMI+ eDP | | | | | | | | |
| | Interface | | 10/100/1000 Mbps | | | | | | | | |
| | Controller | | GbE LAN1: Intel i219LM; LAN2: Intel i210AT | | | | | | | | |
| SATA | Connector | | RJ-45 x 2 | | | | | | | | |
| | Max Data Transfer Rate | | 600 MB/s (SATA 3.0) | | | | | | | | |
| Rear I/O | Channel | | 3 (2 SATAIII, 1 SATA DOM) | | | | | | | | |
| | HDMI | | 1 (HDMI 2.0 or HDMI 1.2) | | | | | | | | |
| | Display Port 1.2 | | 1 | | | | | | | | |
| | Ethernet | | 2 | | | | | | | | |
| | USB | | 4 (USB 3.0) | | | | | | | | |
| | Audio | | 3 (Mic-in, Line-out, Line-in) | | | | | | | | |
| | Phoenix Connector | | 1 | | | | | | | | |
| Internal Connector | USB | | 6 (2 USB 3.0, 4 USB 2.0) | | | | | | | | |
| | LVDS/inverter | | 1 | | | | | | | | |
| | Serial | | 2 (1 RS-232, supports 5V/12V, 1 RS-232/422/485) | | | | | | | | |
| | SATA | | 3 (SATA 3.0) | | | | | | | | |
| | Mini-PCIe | | 1 (F/S x1, mSATA supported) | | | | | | | | |
| | M.2 | | 1 (B Key for SSD and 3G supported) | | | | | | | | |
| | IrDA | | - | | | | | | | | |
| Watchdog Timer | GPIO | | 8-bit | | | | | | | | |
| | Output | | System reset | | | | | | | | |
| Power Requirements | Interval | | Programmable 1 ~ 255 sec/min | | | | | | | | |
| | Input power | | 12 ~ 24V DC Input | | | | | | | | |
| Environment | Operating | | Win Idle 19.28W (Intel core i7-6700 3.4GHz / DDR4 2133MHz 8GB x 2) | | | | Non-Operating | | | | |
| | Temperature | | 0 ~ 60° C (32 ~ 140° F), depends on CPU speed and cooler solution | | | | -40 ~ 85° C (-40 ~ 185° F) | | | | |
| Physical Characteristics | Dimensions | | 170 mm x 170 mm (6.69" x 6.69") | | | | | | | | |

Block Diagram



Ordering Information

| PN | Chipset | DP | VGA | LVDS/eDP | HDMI | GbE LAN | COM | M.2 | SATA | USB 3.0/2.0 | miniPCIe | TPM | AMP | PClex16 |
|------------------|---------|----|-----|----------|--------------|---------|-----|-----|------------------------|-------------|--------------------|-----|-----|---------|
| AIMB-275G2-00A5E | Q170 | 1 | 0 | 1/(1) | 1 (HDMI 2.0) | 2 | 2 | 1 | 3 (1 SATA DOM support) | 6/4 | 1 (F/S) | (1) | (1) | 1 |
| AIMB-275VG-00A5E | Q170 | 1 | 0 | 0 | 1 | 1 | 2 | 0 | 3 | 4/4 | 1 (F/S) | (1) | (1) | 1 |
| AIMB-275L-00A5E | H110 | 1 | 0 | 0 | 1 | 1 | 2 | 0 | 3 | 4/4 | 1 (F/S) mSATA only | (1) | (1) | 1 |

(*) BOM options available on MP version.

Packing List

| Part Number | Description | Quantity |
|----------------|-----------------------------------|----------|
| 1700003194 | SATA HDD cable | 1 |
| 1700018785 | SATA power cable (1 port, 35cm) | 1 |
| 1700100250 | Serial port cable | 1 |
| 1920001186T020 | I/O port bracket | 1 |
| 2006027511 | Startup manual | 1 |
| 1700023082-11 | ATX cable 2*10P-4.2/1*3P-2.0 15cm | 1 |
| 1930006770-01 | M.2 Screw | 1 |
| 1910001675 | M.2 POST | 1 |
| 1930001071 | MiniPCIe Screw | 1 |

Optional Accessories

| Part Number | Description |
|-----------------|---|
| 1700026162-01 | USB 2.0 cable with two ports, 30 cm with bracket |
| 1700020277-01 | Dual port USB 3.0 cable 30cm with IO bracket |
| 1703060191 | KB/MS cable 1*6P-2.0/M-DIN 6P(F)*2, 19cm |
| 1700023768-01 | 1x4P Phoenix to DC Jack 15cm cable |
| 1960053207N001 | LGA1150 CPU cooler for CPU TDP ≤ 65W, 92.9 (W) x 92.9 (L) x 46 (H) mm |
| 1960060732N001 | LGA1150 CPU cooler for CPU TDP ≤ 45W, 80 (W) x 80 (L) x 32.2 (H) mm |
| 96PSA-A120W12P4 | ADP A/D 100-240V 120W 12V C14 TERMINAL BLOCK 4P |

Riser Card

| Part Number | Description |
|------------------|---|
| AIMB-RF10F-01A1E | 1U riser card with 1 PCIe16 expansion |
| AIMB-RF20F-02A1E | 2U riser card for 1xPCIex16 to 2 PCIe16 (both Lane are PCIeX8 only) |

** compliant with AIMB-275G2/VG (Q170) sku only

Optional Chassis

| Part Number | Description |
|-----------------|--|
| AIMB-B2000-15ZE | Mini-ITX chassis with 150W ATX power supply |
| AIMB-B2000-00YE | Mini-ITX chassis (Optional external AC-DC 60W/84W Adaptor) |

I/O View



Tento produkt můžete zakoupit u společnosti AutoCont IPC a.s.



AutoCont IPC a.s.

Váš dodavatel průmyslových počítačů, komponent a speciálních průmyslových IT systémů.

 Uhlířská 1064/3, 710 00 Ostrava, Česká republika

 obchod@autocont-ipc.cz

 +420 552 301 002

 www.autocont-ipc.cz



PRŮMYSLOVÉ POČÍTAČE

fanless embedded PC, do racku, ...



POČÍTAČE S DISPLEJEM

panelové PC, terminály, do vozidel, ...



AUTOMATIZACE A SBĚR DAT

převodníky, karty, moduly, switche, ...



PERIFERIE A KOMPONENTY

monitory, klávesnice, desky, skříně, ...



NOTEBOOKY A TABLETY

odolné, windows, android, IP65, ...



INFORMAČNÍ KIOSKY

interiérové, venkovní, ...



MEDICÍNSKÁ TECHNIKA

počítače, tablety, LCD, klávesnice, ...



SOFTWAREVÁ ŘEŠENÍ

pro výrobu, zaměstnance, kiosky, ...



PŘEJÍT DO E-SHOPU

eshop.autocont-ipc.cz



DOPRAVA ZDARMA

Doprava zdarma v ČR a SR při objednávce nad 10 000 Kč bez DPH nebo nad 400 EUR.



PRODLOUŽENÁ ZÁRUKA

Záruka 2 roky na vyráběné počítače s možností jejího prodloužení až na 5 let.



ODMĚNA ZA VĚRNOST

Pravidelní zákazníci u nás nakupují za nižší ceny. Výše slevy se odvíjí od realizovaného obrátu.



SERVIS ON-SITE A IN-TIME

K projektovým dodávkám nabízíme rozšířenou podporu a servis s garancí výměny zařízení do 48 hodin.