

UNO-2372G V2

Compact Modular Box PC with
Intel® Celeron® Processor, 2 x GbE,
4 x USB, 4 x COM, 2 x M.2, 1 x mPCIe,
1 x HDMI 1.4, 1 x DP 1.4

NEW



Single-stack

Double-stack



Features

- Intel® Celeron® J6412 quad-core processor with 8GB DDR4 memory
- Compact, robust, fanless and scalable system with high stability
- 2 x GbE, 4 x USB 3.0, 4 x RS-232/422/485, 1 x HDMI 1.4b, 1 x DP 1.4
- Optional 2nd layer for up to 1 x iDoor extension or customize for domain applications
- Scalability for Wi-Fi/LTE/ cellular/ NVME drive / with I/O port flexibility
- Built-in TPM2.0 for hardware-based security
- Display port supports 4K Ultra HD
- Supports 30+ iDoor combination to expand wireless connectivity, industrial fieldbus or more I/O
- Supports NVME storage w/ high data-transmission efficiency

Introduction

Advantech's UNO-2000 series of embedded automation computers are highly rugged, fanless systems. The modular design offers vigorous computing performance and flexible scalability with various I/O ports to support IoT Connectivity. The UNO-2372G V2 features high processing capacity, 4K resolution display ports, optimized I/O ports, and expansion options to support wire/ wireless IoT edge data transmission and processing. With an optional second expansion stack which supports Advantech's iDoor technology, system functionalities can be easily extended to satisfy specific application requirements.

Specifications

General

- **Certification** CE, FCC, UL, CCC, BSMI
- **Dimensions (W x D x H)** 150 x 105 x 35 (5.8" x 4.2" x 1.4") for single stack
150 x 105 x 65 (5.8" x 4.2" x 2.6") for single stack w/
expansion stack UNO-2372G V2 version
- **Form Factor** Small
- **Enclosure** Aluminum housing
- **Mount Options** Stand, wall, VESA (optional), DIN rail (optional)
- **Weight (Net)** Single-stack model: 0.8 kg (1.8 lb)
Double-stack model: 1.0 kg (2.2 lb)
- **Power Requirement** 10 ~ 36 V_{DC}
- **Power Consumption** 19W (Typical), 54W (Max)
- **OS Support** Microsoft® Windows 10, Windows 11, Advantech
Linux (Ubuntu 20.04 Desktop/ Server)
- **Software Compatibility** WISE-Edge365

Hardware

- **BIOS** AMI UEFI (64 Mbit)
- **Watchdog Timer** Programmable timer with 255 intervals (1 ~ 255 sec)
- **Hardware Security** TPM2.0
- **Processor** Intel® Celeron® J6412 quad-core, 2.0 GHz (max. turbo
2.6 GHz)
- **Memory** Built-in 8 GB DDR4, 3200MHz, supports up to 32 GB
(1 slot)
- **Graphics Engine** Intel® UHD Graphics for 10th Gen Intel® Processors
- **Ethernet** Realtek® Ethernet Controller RTL8119I-CG
- **LED Indicators** Power, RTC battery, LAN (active, status), and HDD
- **Expansion/Storage** 1 x mPCIe (PCIe/USB2.0),
1 x M.2 B key (USB3.0) supports 3042/ 3052, 5G/ 4G/
LTE/ Wifi
1 x M.2 M key (PCIex2/SATA) supports 2242 NVME,
SSD
1 x 2.5" SSD SATA drive bay (support SSD/HDD height
up to 9.5mm)

I/O

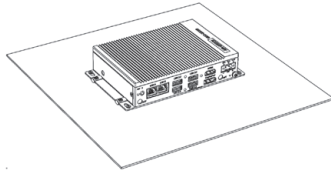
- **Serial Ports** 4 x RS-232/422/485, DB9, 50 ~ 115.2kbps
- **LAN** 2 x RJ45, 10/100/1000 Mbps IEEE 802.3u
1000BASE-T Fast Ethernet
- **USB** 3 x USB 3.2 GEN2, 1 x USB2.0
- **Displays** 1 x HDMI 1.4 (3840 x 2160 @30 Hz)
1 x DP 1.4 (4096 x 2160 @60 Hz)
- **Power Connector** 1 x 2-pin terminal block
- **Audio** Line-out

Environment

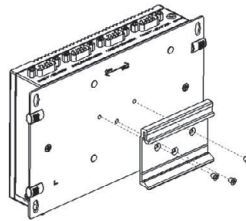
- **Operating Temperature** -20 ~ 60 °C/-4 ~ 140 °F @ 5 ~ 85% RH with 0.7m/s
airflow
- **Storage Temperature** -40 ~ 85 °C/-40 ~ 185 °F
- **Relative Humidity** 10 ~ 95% RH @ 40 °C/104 °F, non-condensing
- **Shock Protection** Operating, IEC 60068-2-27, 50G, half sine, 11ms
- **Vibration Protection** Operating, IEC 60068-2-64, 2Grms, random,
5 ~ 500Hz, 1hr/axis (mSATA)
Operating, IEC 60068-2-64, 0.75Grms, random,
5 ~ 500Hz, 1hr/axis (HDD)
- **Ingress Protection** IP40 (Base unit)
IP20 (Expansion stack)

Installation Scenario

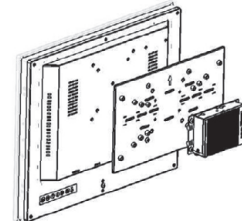
Stand/Wall Mount



DIN-Rail Mount (Optional)



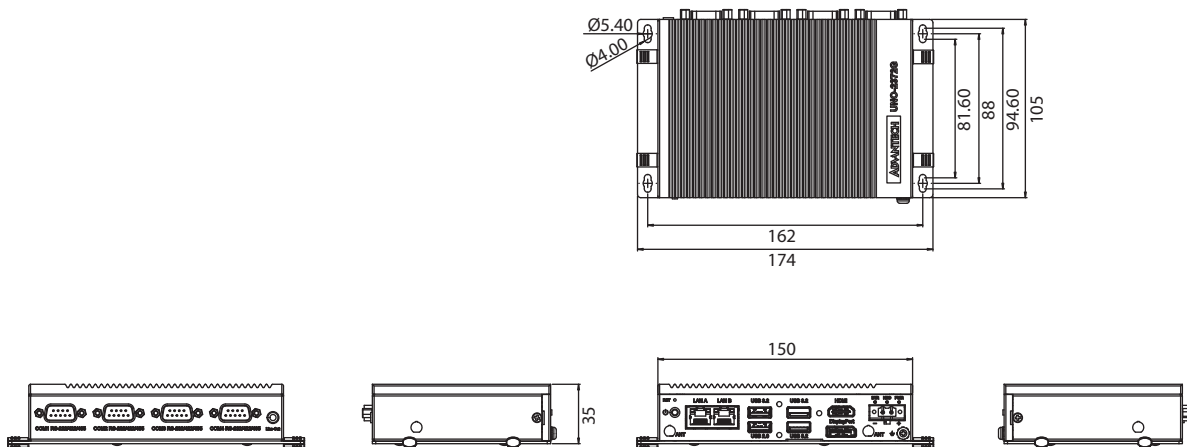
VESA Mount (Optional)



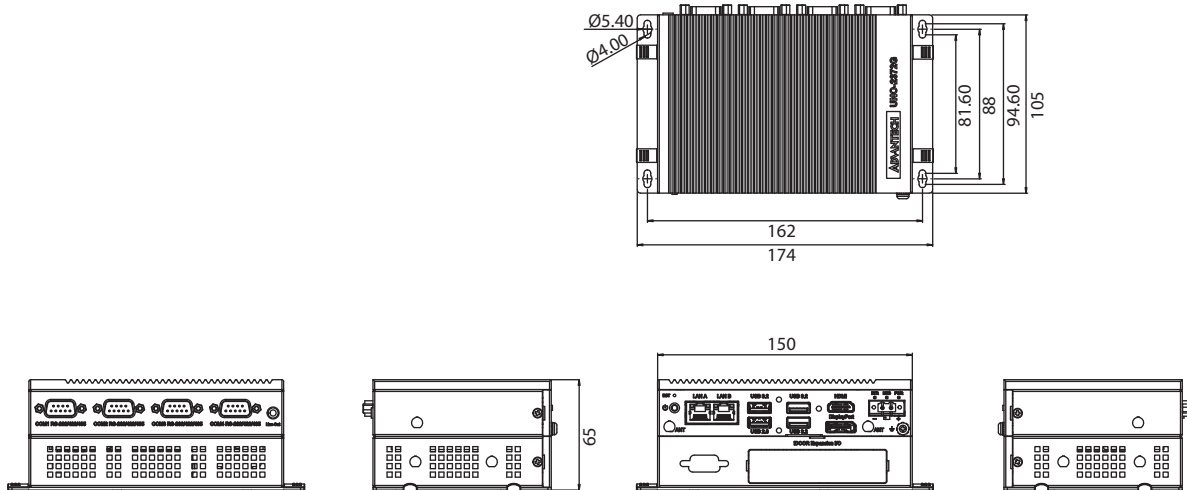
Dimensions

Unit: mm

UNO-2372G V2 Single stack



UNO-2372G V2 Single stack + Expansion stack

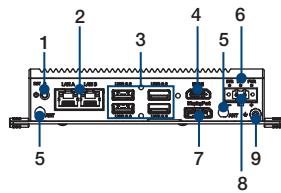


Ordering Information

Ordering P/N	CPU	Memory	M.2	mPCIe slot	iDoor	USB	COM	LAN	Antenna hole
UNO-2372G-J231AE	Intel Celeron J6412	8G DDR4	M key *1 B key *1	1	1 (with 2nd stack UNO-2372G-EKCE)	4	4	2	4 (Base unit)

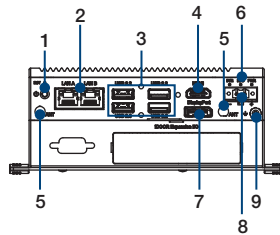
Front I/O

Single Stack



1. Power button
2. RJ45 LAN
3. 3 x USB 3.2 GEN1, 1 x USB2.0
4. HDMI 1.4
5. Reserved antenna

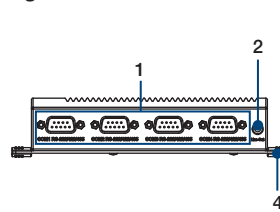
Double Stack



6. Power, Battery, HDD LEDs
7. DisplayPort 1.4
8. Power connector
9. Chassis grounding

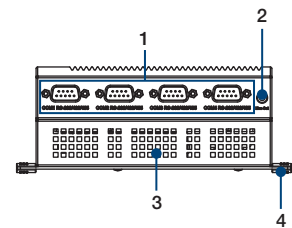
Rear I/O

Single Stack



1. RS-232/422/485
2. Line-out

Double Stack



3. iDoor expansion slot
4. Rubber stopper

iDoor Modules

Supported by "single stack" models with extension stack

- **PCM-24R2GL-AE** 2-Port Gigabit Ethernet, mPCIe, RJ45
- **PCM-24D2R2-BE** 2-Port Isolated RS-232 mPCIe, DB9
- **PCM-24D4R4-BE** 4-Port Non-Isolated RS-422/485 mPCIe, DB37
- **PCM-27D24DI-AE** 24-Channel Isolated Digital I/O w/ counter mPCIe, DB37
- **PCM-24D2R4-BE** Isolated RS-422/485, DB9 x 2, (USB type)
- **PCM-24D4R2-BE** Non-Isolated RS-232, DB37 x 1 (USB Type)
- **PCM-24U2U3-BE** 2-Port USB 3.0, mPCIe
- **PCM-23S34G-CE** EG25G LTE/HSPA+/GPRS, mPCIe, Ant
- **PCM-26D2CA-CE** 2-Port CANBus, mPCIe, DB9 x 2 (PCIe Type)
- **PCM-26D2CA-CE** 2-Port CANBus, mPCIe, DB9 x 2 (USB Type)
- **PCM-24S2WF-CE** 802.11 a/b/g/n/ac 2T2R w/BT4.1, Intel AC9260

Contact Advantech for more compatible iDoor solutions

Optional Accessories

- **96PSA-A60W24T2-3** A/D 100 ~ 240V 60W 24V C14 cord end terminal power adapter
- **1702002600** Power cable, US plug, 1.8 m (industrial grade)
- **1702002605** Power cable, EU plug, 1.8 m (industrial grade)
- **1702031801** Power cable, UK plug, 1.8 m (industrial grade)
- **1700000596** Power cable, China/Australia plug, 1.8 m (industrial grade)
- **UNO-2000G-DMKAE** UNO-2000 DIN-rail kit
- **UNO-2000G-VMKAE** UNO-2000 VESA mount kit
- **UNO-2000-LKAE** Cable locking kit, 10 units per pack
- **UNO-REPWR-AE** Remote power and reset control kit for UNO

Embedded OS

- **20704WX1ES0011** Img Win10 LTSC V6.08 B029 UNO-2372G_V2 Entry

Please note: If some optional modules are offered with the system, additional system certificates may be required in certain regions/countries. Please contact Advantech for certificate compliance.

Extended Module

UNO-2372G-EKCE

Second stack module for supporting 1 *iDoor on UNO-2372G V2



Specifications

General	
Ports	1 x iDOOR (Chassis only)
Dimensions	150 x 155 x 35 mm
Weight	200g
Antenna hole	4

Ordering Information

P/N	Description
UNO-2372G-EKCE	UNO-2372G V2 2nd stack expansion module

Tento produkt můžete zakoupit u společnosti AutoCont IPC a.s.



AutoCont IPC a.s.

Váš dodavatel průmyslových počítačů, komponent a speciálních průmyslových IT systémů.

 Uhlířská 1064/3, 710 00 Ostrava, Česká republika

 obchod@autocont-ipc.cz

 +420 552 301 002

 www.autocont-ipc.cz



PRŮMYSLOVÉ POČÍTAČE

fanless embedded PC, do racku, ...



POČÍTAČE S DISPLEJEM

panelové PC, terminály, do vozidel, ...



AUTOMATIZACE A SBĚR DAT

převodníky, karty, moduly, switche, ...



PERIFERIE A KOMPONENTY

monitory, klávesnice, desky, skříně, ...



NOTEBOOKY A TABLETY

odolné, windows, android, IP65, ...



INFORMAČNÍ KIOSKY

interiérové, venkovní, ...



MEDICÍNSKÁ TECHNIKA

počítače, tablety, LCD, klávesnice, ...



SOFTWAREVÁ ŘEŠENÍ

pro výrobu, zaměstnance, kiosky, ...



PŘEJÍT DO E-SHOPU

eshop.autocont-ipc.cz



DOPRAVA ZDARMA

Doprava zdarma v ČR a SR při objednávce nad 10 000 Kč bez DPH nebo nad 400 EUR.



PRODLOUŽENÁ ZÁRUKA

Záruka 2 roky na vyráběné počítače s možností jejího prodloužení až na 5 let.



ODMĚNA ZA VĚRNOST

Pravidelní zákazníci u nás nakupují za nižší ceny. Výše slevy se odvíjí od realizovaného obrátu.



SERVIS ON-SITE A IN-TIME

K projektovým dodávkám nabízíme rozšířenou podporu a servis s garancí výměny zařízení do 48 hodin.