

# TPC-100W

## 7"/10.1"/15.6" Touch Panel Computer with ARM Cortex™-A53 Processor

**NEW**



### Features

- NXP® ARM® Cortex™-A53 i.MX 8M Mini quad-core processor
- 7", 10.1" and 15.6" 16:9 LCD with multi-touch P-CAP and true-flat IP66-rated front panel
- Up to 2 GB DDR4 RAM and 16 GB eMMC storage onboard
- 2 x 10/100/1000 Mbps LANs with optional IEEE 802.3at/af PoE-PD module support (7", 10.1")
- 1 mb FRAM backup memory for unexpected power interruptions
- 2 x Serial port with 120Ω termination resistor that one supports the CAN 2.0B protocol and offers a programmable bit rate of up to 1 Mb/sec
- Embedded browser and for rapid Web App development
- Supports Linux Yocto and Android
- Optional and mPCIe expansion modules
- Compatible with VESA and panel mounting
- Wide operating temperature range (-20 ~ 60 °C/-4 ~ 140 °F)

### Introduction

TPC-100W series is a compact touch panel computer equipped with an NXP® Cortex™-A53 i.MX 8M Mini quad-core processor, 7"/10.1"/15.6" TFT LCD display, multi-touch glass sensor, 2 GB of DDR4 RAM, and 16 GB of eMMC storage. To ensure stable operation in harsh industrial environments, TPC-100W supports a wide operating temperature range (-20 ~ 60 °C /-4 ~ 140 °F) and Panel/VESA mounting and features an IP66-rated front panel that protects against water and dust ingress.

For web-based operations, TPC-100W offers two 10/100/1000 LANs that one supports the IEEE 802.3 PoE-PD standard. The inclusion of VNC and browsers enable rapid Web application development and easy configuration. Finally, TPC-100W supports various OS including Linux Yocto with full QT graphics and Android to ensure easy deployment for diverse applications.

### Specifications

#### General

- **Certification** CE, BSMI, CCC, UL, FCC Class A
- **Dimensions (W x H x D)** TPC-107W: 205 x 146.92 x 52 mm  
TPC-115W: 283.1 x 202.3 x 52 mm  
TPC-110W: 419.7 x 269 x 52 mm
- **Cutout Dimensions** TPC-107W: 192.4 x 139.0 mm  
TPC-110W: 274.1 x 193.3 mm  
TPC-115W: 411.9 x 261.2 mm
- **OS Support** Linux Yocto 3.0, Android 10
- **Power Input** 24V<sub>DC</sub> ±20
- **Power Consumption** 9W (typ.); 21W (max.)
- **Unit Enclosure** Die-cast aluminum alloy front bezel  
Metal Shell
- **Mount Options** Panel and VESA
- **Weight (Net)** 7": 2kg (4.44lb)  
10.1": 3.9kg (8.63lb)  
15.6": 6.9kg (15.19lb)

#### System Kernel

- **CPU** NXP® ARM® Cortex™-A53 i.MX 8M Mini quad-core  
1.6 GHz processor
- **Backup Memory** FRAM 1 MB
- **Memory** Quad core: 2 GB DDR4 RAM
- **Storage** 16 GB eMMC onboard

#### Communication Interface

- **Serial Port** 1 x RS-232/422/485 (COM 1)  
1 x selectable mode for RS-485 and CAN 2.0B (COM 2)
- **LAN** 2 x RJ45 (10/100/1000 Mbps)  
Optional module is required to support PoE PD (LAN A)  
IEEE802.3at PoE-PD standard
- **Others** 1 x USB 2.0 Type-B Client (Internal)  
2 x USB 2.0 Type-A Host  
1 x Micro SD (Internal)  
1 x M.2 Key-E 2230 (Wi-Fi/BT)

#### LCD Panel

	TPC-107W	TPC-110W	TPC-115W
<b>Panel Size</b>	7"	10.1"	15.6"
<b>Panel Type</b>	WSVGA TFT LCD	WXGA TFT LCD	FHD TFT LCD
<b>Aspect Ratio</b>	16:9	16:10	16:9
<b>Max. Resolution</b>	1024 x 600	1280 x 800	1920 x 1080
<b>Max. Colors</b>	16M	16M	16.2M
<b>Luminance (nits)</b>	425	500	450
<b>Viewing Angle (H/V)</b>	150/145	170/170	170/170
<b>Backlight Life</b>	50000	50000	50000
<b>Treatment</b>	Anti-glare	Anti-glare	Anti-glare
<b>Contrast Ratio</b>	700:1	800:1	800:1
<b>LED Indicator</b>	Yes	Yes	Yes

#### Touchscreen

- **Touch Points** 10 Points
- **Light** Transmission above 85%
- **Pencil Hardness** ≥7H
- **Type** Projected capacitive (P-CAP) touch

#### Environment

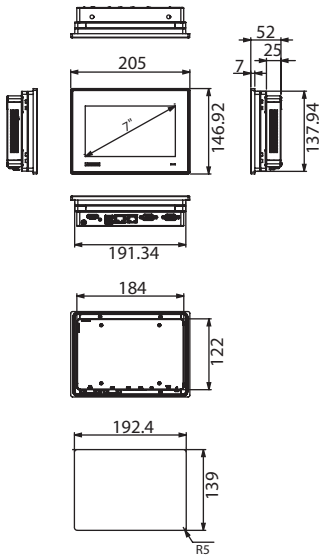
- **Operating Temperature** -20 ~ 60 °C (-4 ~ 140 °F)
- **Storage Temperature** -30 ~ 70 °C (-22 ~ 158 °F)
- **Humidity** 10 ~ 90% RH @ 40 °C, non-condensing
- **Ingress Protection** IP66-rated front panel
- **Vibration Protection** 2 Grms random vibration (5 ~ 500 Hz) during operation (compliant with IEC60068-2-64)
- **Shock Protection** 10 G shock under 11 ms operation (compliant with IEC60068-2-27)

\*PoE-PD is not supported on TPC-115W.

## Dimensions

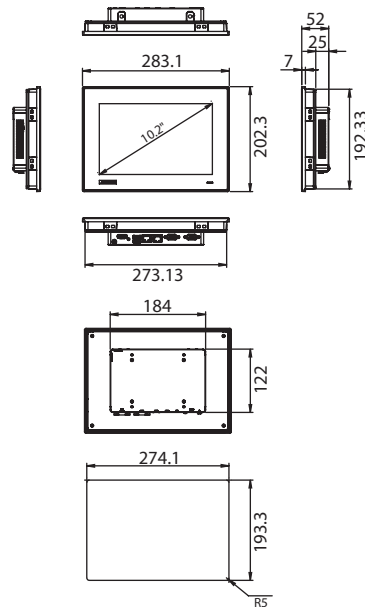
Unit: mm

### TPC-107W



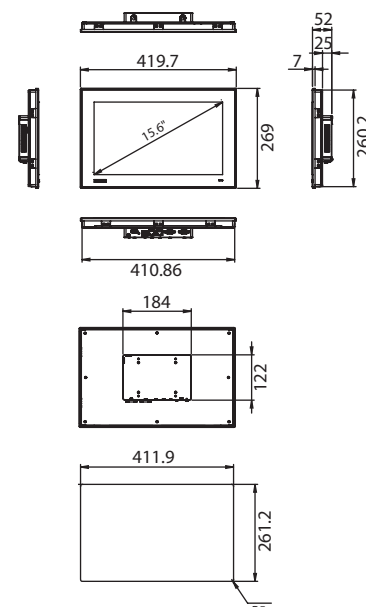
**Panel Cutout Dimensions:**  
192.4mm x 139.0mm

### TPC-110W



**Panel Cutout Dimensions:**  
274.1mm x 193.3mm

### TPC-115W



**Panel Cutout Dimensions:**  
411.9mm x 261.2mm

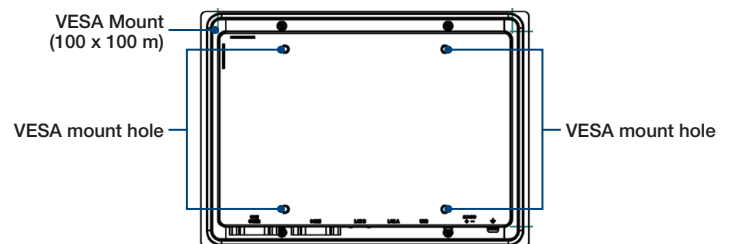
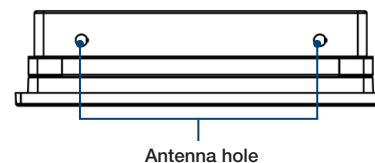
## Ordering Information

- TPC-107W-N31YA 7" Touch Panel Computer, Cortex™-A53 Quad Core CPU, 2GB DDR4, 16G eMMC, Linux Yocto 3.0 with QT Browser
- TPC-107W-N31AA 7" Touch Panel Computer, Cortex™-A53 Quad Core CPU, 2GB DDR4, 16G eMMC, Android 10 with Chromium
- TPC-110W-N31YA 10.1" Touch Panel Computer, Cortex™-A53 Quad Core CPU, 2GB DDR4, 16G eMMC, Linux Yocto 3.0 with QT Browser
- TPC-110W-N31AA 10.1" Touch Panel Computer, Cortex™-A53 Quad Core CPU, 2GB DDR4, 16G eMMC, Android 10 with Chromium
- TPC-115W-N31YA 15.6" Touch Panel Computer, Cortex™-A53 Quad Core CPU, 2GB DDR4, 16G eMMC, Linux Yocto 3.0 with QT Browser

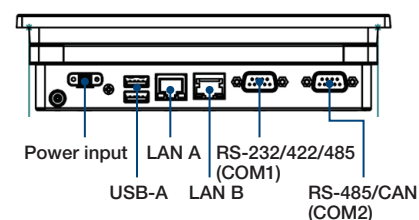
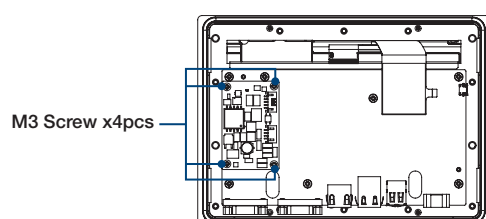
## Optional Accessories

- 96PSA-A60W24T2 Adaptor A/D 100 ~ 240V 60W 24V C14 cord-end terminal
- 1702002600 Power cable with US plug, 1.8 M
- 1702002605 Power cable with EU plug, 1.8 M
- 1702031801 Power cable with UK plug, 1.8 M
- 1702031836 Power cable with China/Australia plug, 1.8 M
- 968DD00086 M.2 Key-E 2230 Express Module, support Yocto 3.0(WiFi/BT)
- EW/M-W194M201E M.2 Key-E 2230 Express Module, support Android 10(Only WiFi)
- 98R4T100W00 TPC-100W, PoE Module (7" and 10.1" only)

## External I/O



## PoE Module Expansion



Please note: If some optional modules are offered with the system, additional system certificates may be required in certain regions/countries. Please contact Advantech for certificate compliance.

# Tento produkt můžete zakoupit u společnosti AutoCont IPC a.s.



## AutoCont IPC a.s.

Váš dodavatel průmyslových počítačů, komponent a speciálních průmyslových IT systémů.

 Uhlířská 1064/3, 710 00 Ostrava, Česká republika

 obchod@autocont-ipc.cz

 +420 552 301 002

 [www.autocont-ipc.cz](http://www.autocont-ipc.cz)



### PRŮMYSLOVÉ POČÍTAČE

*fanless embedded PC, do racku, ...*



### POČÍTAČE S DISPLEJEM

*panelové PC, terminály, do vozidel, ...*



### AUTOMATIZACE A SBĚR DAT

*převodníky, karty, moduly, switche, ...*



### PERIFERIE A KOMPONENTY

*monitory, klávesnice, desky, skříně, ...*



### NOTEBOOKY A TABLETY

*odolné, windows, android, IP65, ...*



### INFORMAČNÍ KIOSKY

*interiérové, venkovní, ...*



### MEDICÍNSKÁ TECHNIKA

*počítače, tablety, LCD, klávesnice, ...*



### SOFTWAREVÁ ŘEŠENÍ

*pro výrobu, zaměstnance, kiosky, ...*



### PŘEJÍT DO E-SHOPU

[eshop.autocont-ipc.cz](http://eshop.autocont-ipc.cz)



### DOPRAVA ZDARMA

Doprava zdarma v ČR a SR při objednávce nad 10 000 Kč bez DPH nebo nad 400 EUR.



### PRODLOUŽENÁ ZÁRUKA

Záruka 2 roky na vyráběné počítače s možností jejího prodloužení až na 5 let.



### ODMĚNA ZA VĚRNOST

Pravidelní zákazníci u nás nakupují za nižší ceny. Výše slevy se odvíjí od realizovaného obrátu.



### SERVIS ON-SITE A IN-TIME

K projektovým dodávkám nabízíme rozšířenou podporu a servis s garancí výměny zařízení do 48 hodin.