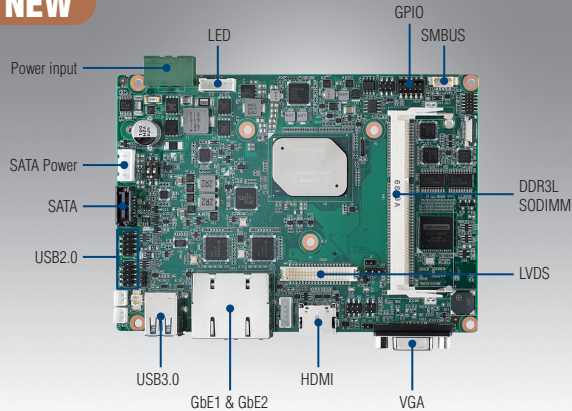


# PCM-9366

Intel® Pentium N4200, Celeron N3350 & Atom™ E3950, 3.5" MI/O SBC

**NEW**



iManager susiAccess CE FCC

## Features

- Intel® Pentium N4200, Celeron N3350 & Atom™ E3950
- 1 x DDR3L-1866/1600 SODIMM, up to 8GB
- DirectX11, OpenGL3.2, OpenCL1.2, multi-display: VGA+LVDS/eDP+ HDMI/DP\*
- Support 9-36V wide range power input
- 2 GbE, rich I/O: 4COM, SATA, USB3.0, SMBus/I<sup>2</sup>C, 2 8bit GPIO, 2 CANBUS, M.2 key E, full-size mSATA
- Supports iManager, SUSIAccess and Embedded Software APIs

### Software APIs:



### Utilities:



## Specifications

|                          |                                      |   |                     |                  |
|--------------------------|--------------------------------------|---|---------------------|------------------|
| Processor System         | CPU                                  | Intel Pentium 4200  | Intel Celeron N3350 | Intel Atom E3950 |
|                          | Base Frequency                       | 1.1 (Quad-Core)   | 1.1 (Dual-Core)     | 1.6 (Quad-Core)  |
|                          | Max Turbo Frequency                  | 2.5 GHz   | 2 GHz               | 1.8 GHz          |
|                          | L2 Cache                             | 2MB   | 2MB                 | 2MB              |
|                          | BIOS                                 | AMI UEFI BIOS at 64 Mb  |                     |                  |
| Memory                   | Technology                           | DDR3L 1867 MHz  |                     |                  |
|                          | Max. Capacity                        | 8 GB  |                     |                  |
|                          | Socket                               | 1 x 204-pin SODIMM  |                     |                  |
| Display                  | Controller                           | Intel Gen9 graphic engine   |                     |                  |
|                          | Processor Graphics                   | DirectX11, OpenGL3.2, OpenCL1.2<br>Full HW acceleration, decode: H.264, MPEG2/4, VC-1, WMV9. Encode: H.264, MPEG2         |                     |                  |
|                          | VGA                                  | 2560 x 1600 at 60Hz   |                     |                  |
|                          | LVDS                                 | 48-bit dual LVDS up to WUXGA 1920 x 1200 at 60Hz<br>Supports 3.3/5/12V for VDD power, 1A@5V/12V for inverter              |                     |                  |
|                          | HDMI                                 | HDMI 1.4a for HD video playback, 1080P at 60Hz  |                     |                  |
| Ethernet                 | Speed                                | 10/100/1000Mbps   |                     |                  |
|                          | Controller                           | Intel i210  |                     |                  |
|                          | Connector                            | 2 RJ45  |                     |                  |
| Audio                    | Codec                                | Realtek ALC888S, High Definition Audio (HD), Line-in, Line out, Mic-in  |                     |                  |
| WatchDog Timer           |                                      | Output System reset, Programmable counter from 1 ~ 255 minutes/ seconds   |                     |                  |
| Storage                  | SATA                                 | 1, up to 6Gb/s (600MB/s)  |                     |                  |
|                          | mSATA                                | 1 x Full-size   |                     |                  |
| Rear I/O                 | Ethernet                             | 2 (10/100/1000Mbps)   |                     |                  |
|                          | VGA                                  | 1   |                     |                  |
|                          | HDMI                                 | 1   |                     |                  |
|                          | USB 3.0                              | 2   |                     |                  |
| Internal I/O             | Serial                               | RS232 x 2 (COM1/COM2), RS232/422/485 x 2 (COM3/COM4) with auto flow control (ESD protection: air gap ±15kV, contact ±8kV) |                     |                  |
|                          | USB2.0                               | 4   |                     |                  |
|                          | I <sup>2</sup> C                     | 1 (Shared with SMBus pin)   |                     |                  |
|                          | SMBus                                | 1   |                     |                  |
|                          | GPIO                                 | 2 x 8-bit   |                     |                  |
| Expansion                | Mini PCIe                            | 1 x Full size*  |                     |                  |
|                          | M.2                                  | 1 x M.2 Key E   |                     |                  |
| Power                    | Power Type                           | 9-36V DC power input  |                     |                  |
|                          | Power Consumption (Typical)          | TBD   |                     |                  |
|                          | Power Consumption (Max, test in HCT) | TBD   |                     |                  |
|                          | Power Management                     | ACPI  |                     |                  |
| Environment              | Battery                              | Lithium 3 V / 210 mAH   |                     |                  |
|                          | Operational                          | 0 ~ 60° C with 0.7m/s air flow (32 ~ 140° F) (Operational humidity: 40° C @ 95% RH Non-Condensing)                        |                     |                  |
| Physical Characteristics | Non-Operational                      | -40° C ~ 85° C and 60° C @ 95% RH Non-Condensing  |                     |                  |
|                          | Dimensions (L x W)                   | 146 x 102 mm (5.7" x 4"), same as 3.5"  |                     |                  |
|                          | Weight                               | 0.54kg (1.19lb), weight of total package  |                     |                  |
|                          | Height                               | Top Side: 19.5 mm; Bottom Side: 7.8 mm; PCB: 1.6 mm   |                     |                  |

\* The specification is supported by request

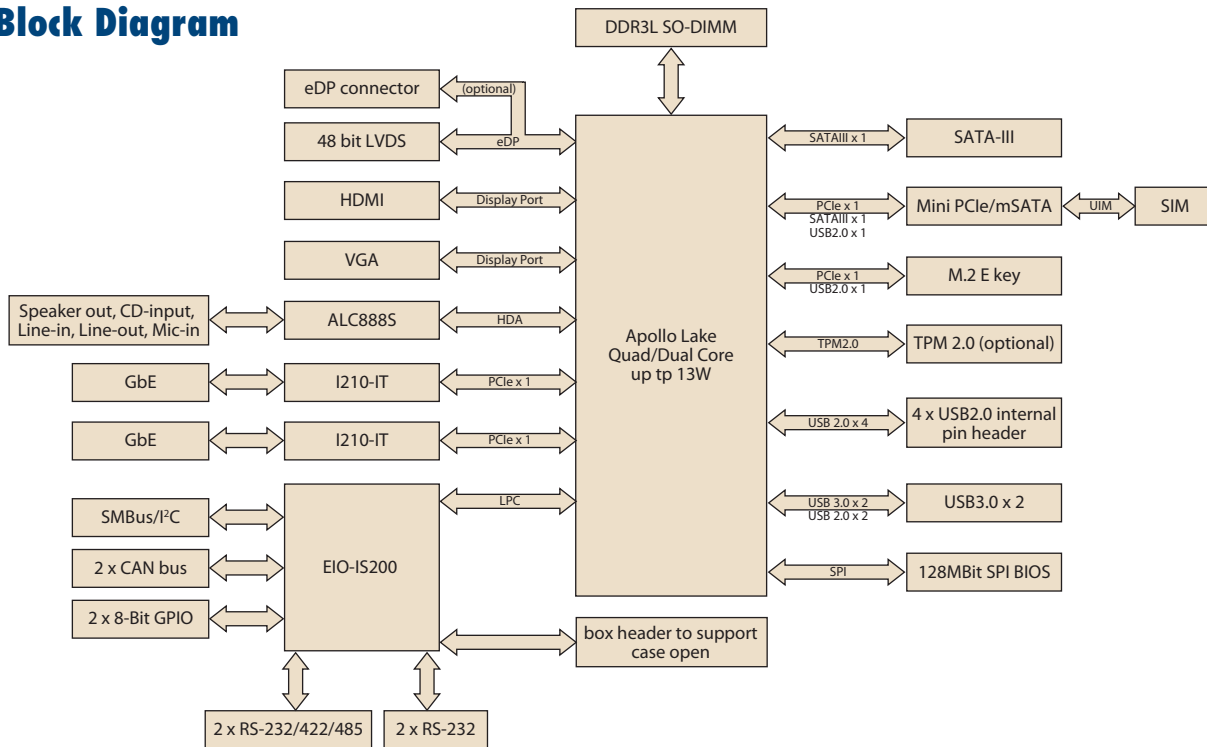
**ADVANTECH**

**Embedded Single Board Computers**

All product specifications are subject to change without notice.

Last updated: 18-Mar-2021

## Block Diagram



Note1: Supported by request

## Ordering Information

| Part No.       | CPU   | Memory | HDMI | LVDS   | VGA | GbE | Audio | RS-232/422/485 | RS-232 | USB 3.0 | USB 2.0 | SATA III | M.2 Key E | Mini PCIe | mSATA     | CANBUS | Power connector            | Thermal Solution* | Operating Temp. |
|----------------|-------|--------|------|--------|-----|-----|-------|----------------|--------|---------|---------|----------|-----------|-----------|-----------|--------|----------------------------|-------------------|-----------------|
| PCM-9366N-S1A2 | N3350 | SODIMM | 1    | 48-bit | Yes | 2   | Yes   | 2              | 2      | 4       | 4       | 1        | 1         | Full-size | Full-size | 2      | 2P Phoenix power connector | Passive           | 0 ~ 60° C       |
| PCM-9366N-S2A2 | N4200 | SODIMM | 1    | 48-bit | Yes | 2   | Yes   | 2              | 2      | 2       | 4       | 1        | 1         | Full-size | Full-size | 2      | 2P Phoenix power connector | Passive           | 0 ~ 60° C       |
| PCM-9366E-S7A2 | E3950 | SODIMM | 1    | 48-bit | Yes | 2   | Yes   | 2              | 2      | 2       | 4       | 1        | 1         | Full-size | Full-size | 2      | 2P Phoenix power connector | Passive           | 0 ~ 60° C       |

Note: Passive=fanless; Active=with fan

## Packing List

| Part No.       | Description  | Quantity |
|----------------|--|----------|
|                | PCM-9366 SBC   | 1        |
| 2006936600     | Startup Manual   | 1        |
| 1701200220     | RS-232 COM cable, F Cable 2*10P-2.0/<br>D-SUB 9P(M)*2 22CM | 2        |
| 1700018785     | SATA 35cm power cable                                      | 1        |
| 1700019584     | Audio Cable 2*5P-2.0/JACK*3 20cm                           | 1        |
|                | mini Jumper pack   | 1        |
| 1700006291     | M Cable SATA 7P/SATA 7P 30cm C=R 180/90                    |          |
| 1960078737T001 | PCM-9366 heatsink for N4200/N3350                          |          |
| 1960078737T011 | PCM-9366 heatsink for E3900 series                         |          |

## Embedded OS/API

| Embedded OS/API | Part No.       | Description                           |
|-----------------|----------------|---------------------------------------|
| WIN10           | 20706WX9ES0069 | img W10 19EL PCM-9366 64b 1809<br>ENU |

## Rear I/O View



# Tento produkt můžete zakoupit u společnosti AutoCont IPC a.s.



## AutoCont IPC a.s.

Váš dodavatel průmyslových počítačů, komponent a speciálních průmyslových IT systémů.

 Uhlířská 1064/3, 710 00 Ostrava, Česká republika

 [obchod@autocont-ipc.cz](mailto:obchod@autocont-ipc.cz)

 +420 552 301 002

 [www.autocont-ipc.cz](http://www.autocont-ipc.cz)



### PRŮMYSLOVÉ POČÍTAČE

*fanless embedded PC, do racku, ...*



### POČÍTAČE S DISPLEJEM

*panelové PC, terminály, do vozidel, ...*



### AUTOMATIZACE A SBĚR DAT

*převodníky, karty, moduly, switche, ...*



### PERIFERIE A KOMPONENTY

*monitory, klávesnice, desky, skříně, ...*



### NOTEBOOKY A TABLETY

*odolné, windows, android, IP65, ...*



### INFORMAČNÍ KIOSKY

*interiérové, venkovní, ...*



### MEDICÍNSKÁ TECHNIKA

*počítače, tablety, LCD, klávesnice, ...*



### SOFTWAREVÁ ŘEŠENÍ

*pro výrobu, zaměstnance, kiosky, ...*



### PŘEJÍT DO E-SHOPU

[eshop.autocont-ipc.cz](http://eshop.autocont-ipc.cz)



### DOPRAVA ZDARMA

Doprava zdarma v ČR a SR při objednávce nad 10 000 Kč bez DPH nebo nad 400 EUR.



### PRODLOUŽENÁ ZÁRUKA

Záruka 2 roky na vyráběné počítače s možností jejího prodloužení až na 5 let.



### ODMĚNA ZA VĚRNOST

Pravidelní zákazníci u nás nakupují za nižší ceny. Výše slevy se odvíjí od realizovaného obrátu.



### SERVIS ON-SITE A IN-TIME

K projektovým dodávkám nabízíme rozšířenou podporu a servis s garancí výměny zařízení do 48 hodin.