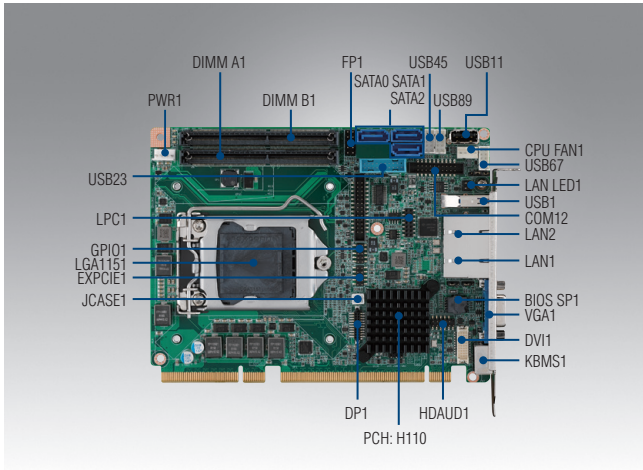


PCE-3029

LGA 1151 6th and 7th Gen Intel® Core™ i7/i5/i3 Half-size SHB with PCIe 3.0/ Dual Independent Display/Dual GbE LAN/ SATA III/m-SATA/ USB 3.0



Features

- Complies with PICMG 1.3
- Supports Intel® Core™ i7/i5/i3/Celeron®/Pentium® processor with H110 chipset
- Dual Channel (Non-ECC) DDR4 1866/2133 up to 32 GB
- Supports USB 3.0, SATA III, PCIe 3.0
- Supports CRT and DVI-D/DP (optional) display
- Supports Advantech TPM module (optional)
- Supports WISE-DeviceOn and embedded software APIs

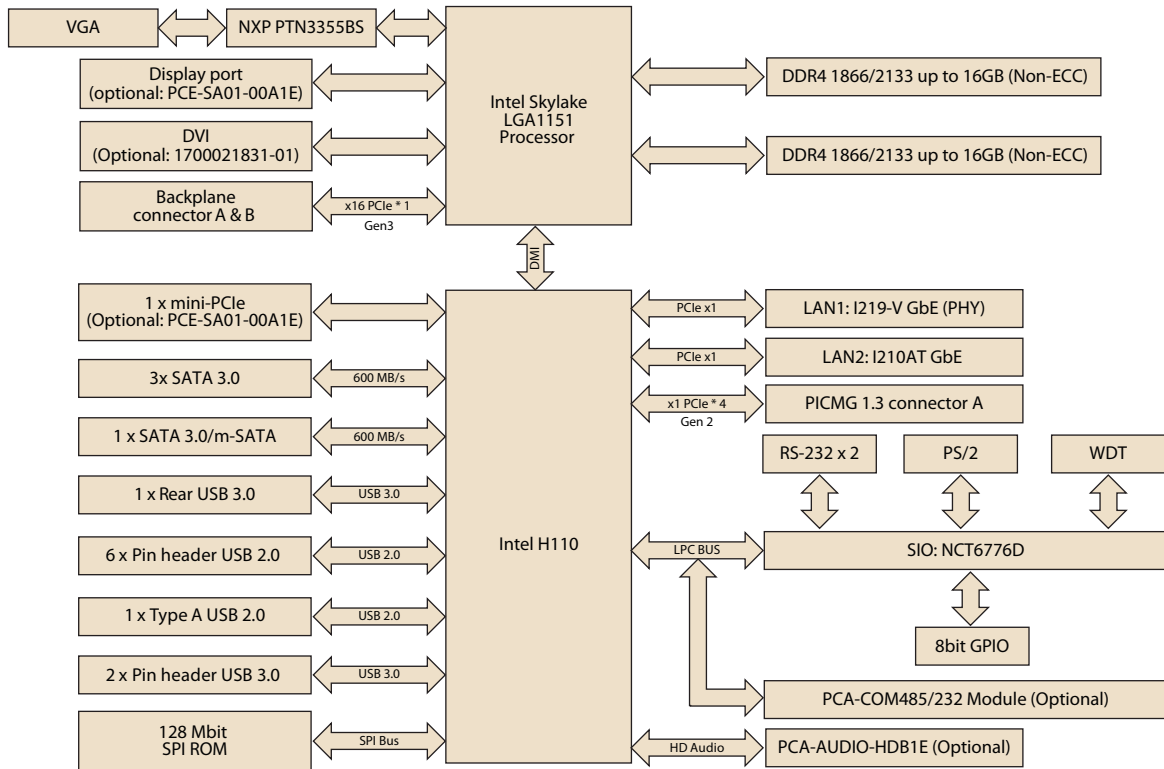
Note: Intel 7th generation processor only support Windows 10 (64-bit)

CE FCC

Specifications

Processor System	CPU	i7-7700	i7-7700T	i7-6700	i7-6700TE	i5-7500	i5-7500T	i5-6500	i5-6500TE	i3-7101E	i3-7101TE	i3-6100	i3-6100TE	G4400	G4400TE	G3900	G3900TE				
	Base Frequency	3.6 GHz	2.9 GHz	3.4 GHz	2.4 GHz	3.4 GHz	2.7 GHz	3.2 GHz	2.3 GHz	3.9 GHz	3.4 GHz	3.7 GHz	2.7 GHz	3.3 GHz	2.9 GHz	2.8 GHz	2.6 GHz				
	L3 Cache	8 MB	8 MB	8 MB	8 MB	6 MB	6 MB	6 MB	6 MB	3 MB	3 MB	4 MB	4 MB	3 MB	3 MB	2 MB	2 MB				
	SKU/Chipset	Intel H110																			
	BIOS	AMI 128 Mbit SPI Flash																			
Bus	PCI-Express	One x16 (Gen 3) plus four x1 (Gen 3) to backplane																			
Memory	Technology	Dual channel (Non-ECC) DDR4 1866/2133 up to 32 GB																			
	Max. Cap.	32 GB (16 GB per DIMM)																			
	Socket	DDR4 260-pin SO-DIMM x2																			
	Graphics	Controller	Chipset integrated Intel HD Graphics																		
Ethernet	VRAM	Shared system memory is subject to OS																			
	CRT	Supports resolution up to 1920 x 1200 pixel at 60Hz																			
	Display Port	Supports resolution up to 4096 x 2304 pixel at 60Hz																			
	DVI-D	Supports resolution up to 1920 x 1200 pixel at 60Hz																			
	Dual Independent Display	VGA+ DVI-D/DP (Optional)																			
Rear I/O	Interface	10/100/1000 Mbps																			
	Controller	LAN 1: Intel I219V LAN 2: Intel I210AT																			
	Connector with LED	RJ-45 x 2																			
	USB 3.0	1																			
Internal Connector	Ethernet	2																			
	VGA	1																			
	PS/2	1 (PS/2 Y cable supports 1 x keyboard and 1 x mouse)																			
	USB	7 USB 2.0 (Pin-header *6 + USB Type A *1); 2 USB 3.0 (Pin header)																			
	SATA/m-SATA	SATA III x4 (600MB/sec)**** or SATA III x3 (600MB/sec)+m-SATA x1																			
	mini-PCIe	(Optional: PCE-SA01-00A1E, PCIe Gen 2.0)																			
	DVI-D	1																			
	DP	1																			
	COM	2 (RS-232)																			
	GPIO	8 bits																			
Watchdog Timer	Output	System reset																			
	Interval	Programmable 1-255 sec																			
Miscellaneous	Audio	Intel High Definition audio interface (required an audio extension module P/N: PCA-AUDIO-HDB1E)																			
Power Requirement	Test Environment	Intel Core i7-6700 (3.4GHz), DDR4 2133 8GB *2																			
	Voltage	12V				5V				3.3V				5VSB				-12V		-5V	
	Current	4.6				0.01				0.32				0.08				0		0	
Environment	Temperature/Humidity	Operating												Non-operating							
		0 ~ 60 °C (32~140 °F); Depends on CPU frequency and cooler solution												-40 ~ 85 °C and 60 °C @ 95% RH							
Physical	Dimensions (L x H)	Operating humidity: 40 °C @ 85% RH Non-Condensing												Non-Condensing							
		167.64 x 126.39 mm (6.6" x 4.98")																			

Board Diagram



Ordering Information

Part Number	PCH	Memory	Backplane	LAN	VGA	DVI-D	DP	COM	SATA III/ m-SATA	mini-PCIe	USB 2.0	USB 3.0	S/W RAID	AMT
PCE-3029G2-00B3	H110	Non-ECC	PCE-3BXX	2	1	1*	1**	2 RS-232 4 RS-422/485 or 4 RS-232 (optional)***	4/0 **** 3/1	1**	7	3	No	No

* DVI-D cable (1700021831-01) is optional.

** PCE-SA01-00A1E is required. PCE-SA01-00A1E is compatible with IPC-3026/IPC-6806S/ACP-4020, and not compatible with IPC-3012.

***PCA-COM485-00A1E is required for additional 4 RS422/485; PCA-COM232-00A1E is required for additional 4 RS232.

****PCE-3029G2 only support 3*SATA III and 1*mSATA, if 4*SATA is required, need to apply customized Part Number.

Packing List

Part Number	Description	Quantity
1700003194	Serial ATA HDD data cable	x1
1700008762	2-port COM cable	x1
1700060202	Keyboard and mouse Y-cable	x1
1700028292-01	2 ports USB 3.0 cable W/BKT	x1
1700014398-11	4-port USB cable kit	x1
2001302911	Startup manual	x1
2061302900	Utility CD	x1

Optional Accessories

Part Number	Description
PCA-COM485-00A1E	4 x RS-422/485 module
PCA-COM232-00A1E	4 x RS-232 module
PCA-AUDIO-HDB1E	Audio module with Realtek ACL892
PCA-TPM-00B1E	TPM 2.0 module
PCE-SA01-00A1E	IO extension module
1700021831-01	DP to DVI-D cable w/ BKT
1960053065N001	CPU cooler for 1U Chassis and 55W TDP
1960053207N001:	CPU cooler for 1.5U Chassis and 65W TDP
1960050255N001/ 1960077101N001	CPU cooler for 2U Chassis and 95W TDP

Bracket View



PCE-3029G2-00B3

Tento produkt můžete zakoupit u společnosti AutoCont IPC a.s.



AutoCont IPC a.s.

Váš dodavatel průmyslových počítačů, komponent a speciálních průmyslových IT systémů.

 Uhlířská 1064/3, 710 00 Ostrava, Česká republika

 obchod@autocont-ipc.cz

 +420 552 301 002

 www.autocont-ipc.cz



PRŮMYSLOVÉ POČÍTAČE

fanless embedded PC, do racku, ...



POČÍTAČE S DISPLEJEM

panelové PC, terminály, do vozidel, ...



AUTOMATIZACE A SBĚR DAT

převodníky, karty, moduly, switche, ...



PERIFERIE A KOMPONENTY

monitory, klávesnice, desky, skříně, ...



NOTEBOOKY A TABLETY

odolné, windows, android, IP65, ...



INFORMAČNÍ KIOSKY

interiérové, venkovní, ...



MEDICÍNSKÁ TECHNIKA

počítače, tablety, LCD, klávesnice, ...



SOFTWAREVÁ ŘEŠENÍ

pro výrobu, zaměstnance, kiosky, ...



PŘEJÍT DO E-SHOPU

eshop.autocont-ipc.cz



DOPRAVA ZDARMA

Doprava zdarma v ČR a SR při objednávce nad 10 000 Kč bez DPH nebo nad 400 EUR.



PRODLOUŽENÁ ZÁRUKA

Záruka 2 roky na vyráběné počítače s možností jejího prodloužení až na 5 let.



ODMĚNA ZA VĚRNOST

Pravidelní zákazníci u nás nakupují za nižší ceny. Výše slevy se odvíjí od realizovaného obrátu.



SERVIS ON-SITE A IN-TIME

K projektovým dodávkám nabízíme rozšířenou podporu a servis s garancí výměny zařízení do 48 hodin.