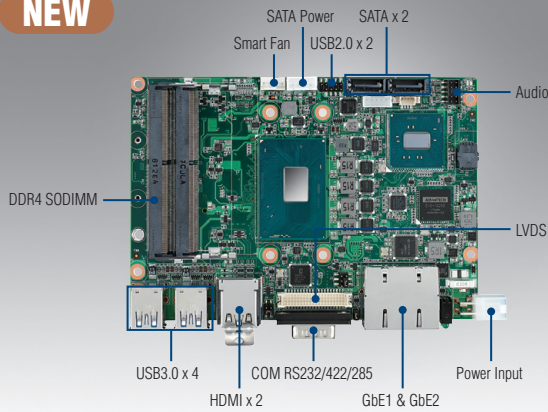


MIO-5391

7th Gen Intel Core Mobile Processors, Xeon, i7, i5, i3 3.5" SBC w/ MIOe

NEW



Specifications

Features

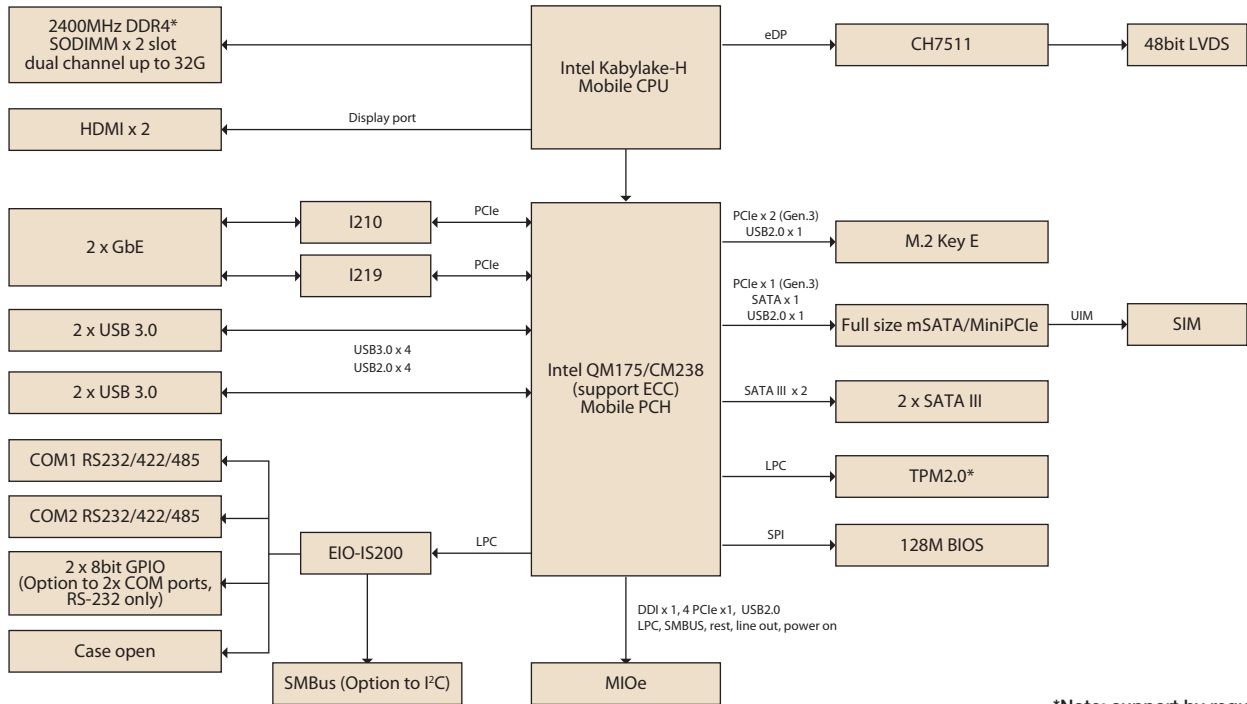
- 7th Gen Intel Core i7/i5/i3 + PCH QM175 & Xeon + PCH CM238
- Dual channel DDR4 2400, Max 32GB
- 1 Intel i210 GbE & 1 Intel i219 GbE support iAMT, rich I/O: 2COM, SATA, USB3.0, SMBus/I2C, 16 bit GPIO full-size Mini PCIe or mSATA /M.2 E Key support NVME, 12V Power input
- Full-size Mini PCIe or mSATA /M.2 E Key
- Support NVME (optional)
- Supports iManager, WISE-PaaS/RMM, emb. SW API

Software APIs:



	Processor	i7-7820EQ	i5-7442EQ	i3-7102E	E3-1506MV6
Platform	Max. Frequency	3.7 GHz	2.9 GHz	-	4.0 GHz
	Base Frequency	3.0 GHz	2.1 GHz	2.1 GHz	3.0 GHz
	Core/Tread	4	4	2	4
	LLC	8MB	6MB	3MB	8MB
	CPU TDP	45W	25W	25W	45W
	Chipset	QM175	QM175	QM175	CM238
Memory	BIOS	AMI UEFI 128Mbit			
	Technology	DDR4 up to 2400MHz			
Graphics	Max. Capacity	Up to 32GB			
	Channel/Socket	Dual Channel 260P SO-DIMM (1 DIMM per Channel)			
	ECC Support	ECC is supported with Xeon SKU			
	Controller	Intel Gen 9 low power graphics			
Display I/F	Max. Frequency	1GHz			
	Base Frequency	350MHz			
	Graphics Memory	Intel DMV75.0, share memory up to 1024MB			
	3D/HW Acceleration	HW Codec: H.265/HEVC 8bit/10bit encode/decode, VP8 8bit encode/decode, VP9 10bit decode, MPEG2, JPEG; VCI/MMV9. Direct3D 2015/11.2/11.1/10/9; OpenGL5.0; OpenCL 2.0/1.2/1.0			
	LVDS	48-bit LVDS up to WUXGA 1920 x 1200 at 60Hz Supports 3.3/5/12V for VDD power, 5/12V for inverter			
Ethernet	HDMI	Supports 2 ports HDMI 1.4 for HD Video playback Max resolution up to 4096 x 2304 @ 30Hz			
	Mult-Display	HDMI + LVDS, Dual HDMI + LVDS with each display combinations			
External I/O	Controller	LAN1: Intel 219LM, LAN2: Intel 210IT			
	Speed	10/100/1000 Mbps			
	Ethernet	2 x RJ-45			
	VGA/HDMI/DP	-/2/-			
	USB3.0/USB2.0	4/-			
	COM Port	1 x RS-232/422/485			
	LED	Power status, HDD R/W			
Internal I/O	Power DC-Jack	Optional			
	SATA	2 x SATA GenIII 6.0Gbps			
	USB2.0	2			
	Serial Bus	SMBus default, I2C optional			
	COM Port	1 x RS-232/422/485			
	GPIO	16-bit general purpose input output I/O (Option to 2x COM ports, RS-232 only)			
	Audio	Realtek ALC888S, High Definition Audio (HD), Line-in, Line-Out, Mic-in			
	Inverter	3.3/5/12V for VDD power, 5/12V for inverter			
	LPC/SPI Bus	-			
	CAN Bus	-			
	Fan	1 x Smart Fan			
	Front Panel Control	Power-on, Reset, Buzzer, ...			
	Board Feature	Watchdog Timer	65536 level, 0-65535 sec		
TPM		TPM2.0 (support by request)			
iManager 3.0		Yes			
Storage	SATA	2, up to 6Gb/s (600 MB/s)			
	mSATA	1 x Full-size			
	NVME*	1, dimension: 2230; PCIe x2			
Expansion	M.2	E-Key (PCIe x1, USB2.0)			
	mPCIe/mSATA	1 x full size mSATA with Sim holder			
	MIO Extension	DDI x 1, 4 PCIe x1, USB2.0, LPC, SMBUS, rest, Line out, Power on			
Power	Supply Voltage	Vin: DC 12V +/- 10%; RTC Battery: Lithium 3V/210mAh			
	Connector	ATX 2x2 pin 90D, optional DC-Jack or ATX 2x2 pin 180D			
	Power Management	AT, ATX			
	Max. Consumption	67.6W	50.729W	29.623 W	TBD
Environment	Idle Consumption	8.2W	6.595W	5.333 W	TBD
	Temperature	Operating: Standard: 0 - 60° C (32 - 140° F), Extend: -40 - 85° C (-40 - 185° F) Storage: -40 - 85° C (-40 - 185° F)			
	Humidity	Operating: 40° C @ 95% relative humidity, non-condensing Storage: 60° C @ 95% relative humidity, non-condensing			
	Vibration Resistance	3.5 Grms			
Certification	EMC	CE, FCC			
	Safety	-			
Mechanical	Dimensions	146 x 102 mm (5.7" x 4")			

Block Diagram



*Note: support by request

Ordering Information

Part No.	CPU	Max. Frequency	Core	TDP	DDR4 Memory	PCH	Thermal Solution	Operating Temperature
MIO-5391E4M-H0A2	E3-1505MV6	4.0GHz	4	45W	ECC support	CM238	Active	0 ~ 60 °C
MIO-5391C7-H0A2	i7-7820EQ	3.7GHz	4	45W	non-ECC	QM175	Active	0 ~ 60 °C
MIO-5391C5-U1A2	i5-7442EQ	2.9GHz	4	25W	non-ECC	QM175	Passive	0 ~ 60 °C
MIO-5391C3-U1A2	i3-7102E	2.1GHz	2	25W	non-ECC	QM175	Passive	0 ~ 60 °C
MIO-5391E4MZ2-H0A2	E3-1505MV6	4.0GHz	4	45W	ECC support	CM238	Active	-40 ~ 85 °C
MIO-5391C7Z2-H0A2	i7-7820EQ	3.7GHz	4	45W	non-ECC	QM175	Active	-40 ~ 85 °C
MIO-5391C5Z2-U1A2	i5-7442EQ	2.9GHz	4	25W	non-ECC	QM175	Passive	-40 ~ 85 °C

Packing List

Part No.	Description	Quantity
	MIO-5391 SBC	1
2006539100	Startup Manual	1
1700006291	M Cable SATA 7P/SATA 7P 30cm C=R 180/90	1
1700018785	SATA 35cm power cable	1
1700019414	A Cable D-SUB 9P(M)/2*5P-2.0 30cm for FWA-5442	1
1700019584	Audio Cable 2*5P-2.0/JACK*3 20cm mini Jumper pack	1
1960089060T001	Cooler (for TDP 45W SKU)	1
1960089142T001	Heatsink (for TDP 25W SKU)	1

Optional Accessories

Part No.	Description
1960090936N001	Heat spreader (16.7mm height)
1700002172	Internal 2 ports USB cable 17CM

Embedded OS/API

Embedded OS/API	Part No.	Description
WIN10 for I7 & Xeon SKUs	20706WX9HS0017	img W10 19HL MIO-5391 64b 1809 ENU
WIN10 for I5 & I3 SKUs	20706WX9VS0020	img W10 19VL MIO-5391 64b 1809 ENU
Software API		SUSI 4.0/iManager 3.0
Software API		WisePaaS/DeviceOn

Rear I/O View



Tento produkt můžete zakoupit u společnosti AutoCont IPC a.s.



AutoCont IPC a.s.

Váš dodavatel průmyslových počítačů, komponent a speciálních průmyslových IT systémů.

 Uhlířská 1064/3, 710 00 Ostrava, Česká republika

 obchod@autocont-ipc.cz

 +420 552 301 002

 www.autocont-ipc.cz



PRŮMYSLOVÉ POČÍTAČE

fanless embedded PC, do racku, ...



POČÍTAČE S DISPLEJEM

panelové PC, terminály, do vozidel, ...



AUTOMATIZACE A SBĚR DAT

převodníky, karty, moduly, switche, ...



PERIFERIE A KOMPONENTY

monitory, klávesnice, desky, skříně, ...



NOTEBOOKY A TABLETY

odolné, windows, android, IP65, ...



INFORMAČNÍ KIOSKY

interiérové, venkovní, ...



MEDICÍNSKÁ TECHNIKA

počítače, tablety, LCD, klávesnice, ...



SOFTWAREVÁ ŘEŠENÍ

pro výrobu, zaměstnance, kiosky, ...



PŘEJÍT DO E-SHOPU

eshop.autocont-ipc.cz



DOPRAVA ZDARMA

Doprava zdarma v ČR a SR při objednávce nad 10 000 Kč bez DPH nebo nad 400 EUR.



PRODLOUŽENÁ ZÁRUKA

Záruka 2 roky na vyráběné počítače s možností jejího prodloužení až na 5 let.



ODMĚNA ZA VĚRNOST

Pravidelní zákazníci u nás nakupují za nižší ceny. Výše slevy se odvíjí od realizovaného obrátu.



SERVIS ON-SITE A IN-TIME

K projektovým dodávkám nabízíme rozšířenou podporu a servis s garancí výměny zařízení do 48 hodin.