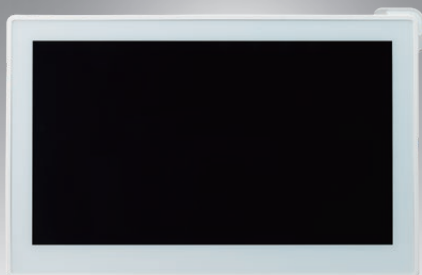


HIT-512

Innovative 11.6" Healthcare Information Terminal



DeviceOn/iService

Features

- Innovative and ultra-slim design for healthcare and hospitality applications
- All-in-one computer with Intel® Apollo Lake CPU
- IP65 rated front panel
- Supports M.2 2230 WiFi / BT modules and M.2 2242 SSDs
- Supports RFID/NFC/Web Camera/Smart Card Reader
- Supports LED indicator
- Rich optional peripherals – Handset, Smart Card Reader, PoE, RFID(HID), MSR
- Supports 75x75mm VESA mount
- Dual certification (Medical and ITE)
- Equipped with DeviceOn/iService software for remote device management



Introduction

HIT-512 is an 11.6" all-in-one infotainment terminal for healthcare and iServices. It is powered by the Intel Apollo Lake processor that supports Windows, Android, and Linux operating systems. The HIT-512 can be used for communication between family members via webcam, WiFi, and Ethernet network connectivity. It can also be used to authenticate hospital staff and patients through RFID and Smart Card Reader modules. HIT-512 is ideal for applications within hospitals, such as nurse calls or bedside information terminals. It is also suitable for other healthcare-related environments such as treatment centers, eldercare, and fitness centers.

Moreover, HIT-512 is equipped with Advantech's DeviceOn/iService software, which is a next-generation unified device management solution based on the WISE-DeviceOn platform. With support for batch operations and multi-device control, DeviceOn/iService enables easy device configuration and deployment for convenient remote device management.

Specifications

Hardware	CPU	Intel® Apollo Lake J3455 (2M Cache, up to 2.3 GHz)
	Memory	DDR3L x 1, up to 8GB (Default 4GB)
	Primary Storage	M.2 2242 SSD (Default 64GB)
	Camera	2MP CMOS
Display	Size	11.6" W TFT LED
	Max Resolution	1366 x 768
	Luminance	250 cd/m ²
	Contrast Ratio	500:1
Touchscreen	Type	Projected Capacitive
I/O Ports	USB 3.0	2
	HDMI	1
	DC-in w/ lock	1
	Audio Jack (TRRS)	1
	Handset Out (RJ12)	1
	Com-port	1
	Power Button	1
Audio	Speaker	2 Watt x 2
	Internal Microphone	1 (bottom side)
Network	LAN	RJ45 (10/100/1000 Mbit) x 1
	Bluetooth	BT 4.1 (Default Module)
	WLAN	802.11 a/b/g/n/ac (Default Module)
Software	OS	Win 10 IoT 64bit /Android 8.1/Linux (by project base)
Mechanical	Mounting	VESA 75 x 75 mm
	Dimensions (W x H x D)	296 x 190 x 33.4 mm
	Weight	Net Weight (w/o adapter): 2.2lb, 1.2kg Weight: 1.5 kg
Optional	Camera	Optional (Embedded module)
	2nd Smart Card Reader	Optional (Add-on Module)
	Handset	Optional (Add-on Module)
	Barcode Scanner	Optional (Add-on Module)
	Smart Card Reader	Optional (Add-on Module)
	RFID/NFC	Optional (Add-on Module)
	PoE	Optional

Specifications (Cont.)

Power Supply	AC/DC Adapter	ITE or Medical Grade
	Input Voltage	100 ~ 240V _{AC} , 1.1 ~ 0.45A @ 47 ~ 63Hz
	Output Voltage	ITE: 12V _{DC} 3.0A Medical: 12V _{DC} 5.42
Environment	Operating Temperature	0 ~ 35 °C
	IP Rating	IP65 front panel
	Vibration	1G
	Shock	10G Peak Acceleration (11ms duration)
	EMC & Safety Cert.	CE, FCC, CCC, EN 60601-1, ITE 62368

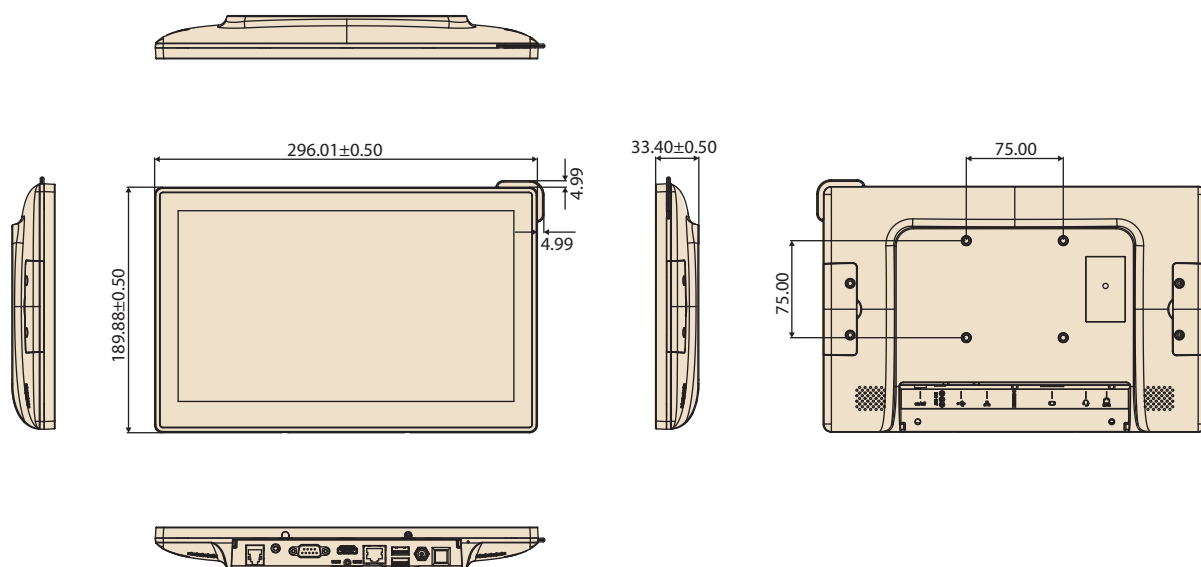
DeviceOn/iService Specifications

DeviceOn/iService Remote Device Management	Operating System	Windows 10	Android 8
	Common Controls (Reboot, Shutdown)	✓	✓
	Remote desktop	✓(VNC)	✓(VNC)
	Device-Specific Controls (Audio, Backlight)	✓*	✓*
	Connection Status	✓	✓
	Hardware Status	✓*	✓*
	Hard Disk Status	✓*	
	Batch Operation Support	✓	✓
	OTA Storage Management	FTP	Local blob
	OTA Software Updates	✓	✓
	Software Watchlist	✓	✓
	Software Start/Stop	✓*	✓
	Kiosk Mode	✓	✓
	Dependant on device model	Peripherals Watchlist	✓

Note: DeviceOn/iService software must be downloaded from the Advantech website at <https://www.advantech.com/search?q=DeviceOn%2FiService&st=support&sst=Utility>

Dimensions

Unit: mm [inch]



Ordering Information

Part Number	Description
HIT-512-11C20B-CM	11.6" Wide Screen, Intel Celeron J3455, PCAP Touch, 4G RAM, 64G SSD, WiFi/BT, Win10 IoT Embedded Medical Adapter
HIT-512-11C20D-CM	11.6" Wide Screen, Intel Celeron J3455, PCAP Touch, 4G RAM, 64G SSD, Web Camera, WiFi/BT, RFID, Medical Adapter, Win10 IoT Embedded
HIT-512-11C20B-CE	11.6" Wide Screen, Intel Celeron J3455, PCAP Touch, 4G RAM, 64G SSD, WiFi/BT, ITE Adaptor, Win10 IoT Embedded
HIT-512-11C20D-CE	11.6" Wide Screen, Intel Celeron J3455, PCAP Touch, 4G RAM, 64G SSD, Web Camera, WiFi/BT, RFID, ITE Adapter, Win10 IoT Embedded

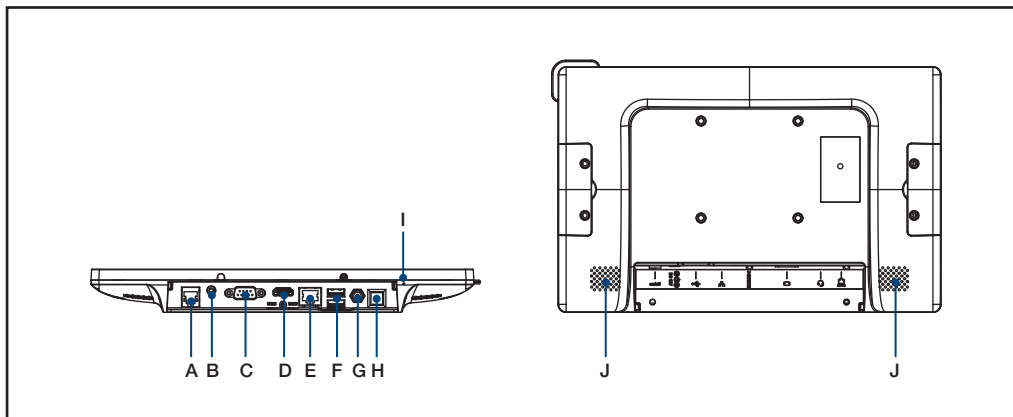
Accessories

Part Number	Description
HIT-512-HSK0E	HIT-512 Handset Kit
1700001524	Power cord USA 1.83M
170203180A	Power cord UK 1.83M
170203183C	Power cord EU 1.83M
HIT-STD-W001-C	Table Stand
HIT-ARM-W010-C	Wall mount arm, Max. 5kg, w/ cable

Peripherals for HIT-512 Series

Part Number	Description
TBSD-WS1502	Table Stands
TBSD-WS1510	
TBSD-WS1702	
TBSD-WS2710	ARMS & Mounting
MNT-MMWB8615	
MNT-MTWHM03	
ARM-MBWA306	
ARM-MBWA506	Keyboards/Mouses/Scanners
ARM-MBWA621	
KBD-MCWU1020	
KBD-MCWU1010	
MOU-MCWU1001	
SCN-MCWIG829	

Fully-Integrated I/O



- A. RJ-12
- B. Audio jack (TRRS)
- C. Com-port
- D. HDMI
- E. RJ-45 LAN
- F. USB 3.0
- G. DC jack
- H. Power button
- I. Microphone
- J. Speaker

DeviceOn/iService

Unified Remote Device Management Software



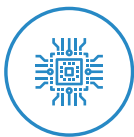
Features

- Supports Advantech devices equipped with Windows, Android, and Linux OS
- Flexible device, location, user, and permissions management
- Enables remote monitoring and control of hardware, software, and peripherals
- Supports over-the-air (OTA) firmware and software updates
- Ensures quick, easy, and secure device onboarding
- RESTful APIs for third-party system integration

Introduction

Advantech's DeviceOn/iService is a next-generation unified device management solution based on the WISE-DeviceOn platform. Designed to enable centralized monitoring and remote management, DeviceOn/iService supports Advantech devices equipped with Windows, Linux, or Android operating systems. The software also supports the management of applications and integrated peripherals, such as a barcode scanner, card reader, camera, and printer. Users can remotely access and control connected devices, take screenshots, rollout OTA upgrades, and use remote desktop capabilities for troubleshooting from any location at any time. Moreover, DeviceOn/iService supports batch operations to facilitate the management of multiple devices simultaneously for easy and convenient device configuration and deployment.

Total Management



Devices & Hardware

- Windows, Linux, Android
- Hardware, storage, battery



Software & Peripherals

- Software monitoring & access
- Screens, USB devices, printers



Open for Expansion

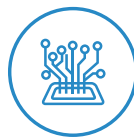
- Peripheral integration
- Open APIs for integration

Remote Access



Real-Time Monitoring

- Connection/hardware status
- Software/peripheral status
- Failure notifications



Remote Controls

- Power controls
- Audio, backlight controls
- Software controls



Troubleshooting

- Screenshots
- Remote desktop support

Operational Efficiency



OTA updates

- System/software updates
- File repository management
- App store



Batch Controls

- 1-to-many batch reboot, etc.
- Time-saving tasks

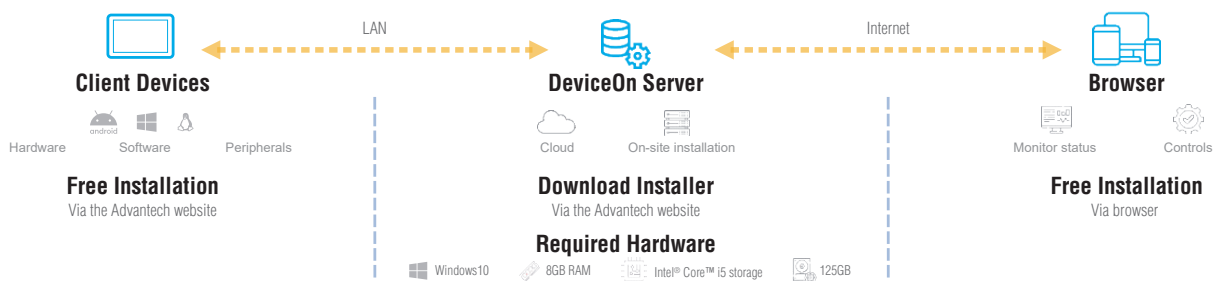


Setup Booster

- Software/peripheral watchlist
- Roles, rule templates

Note: Some functions may vary according to the product

System Architecture



Tento produkt můžete zakoupit u společnosti AutoCont IPC a.s.



AutoCont IPC a.s.

Váš dodavatel průmyslových počítačů, komponent a speciálních průmyslových IT systémů.

 Uhlířská 1064/3, 710 00 Ostrava, Česká republika

 obchod@autocont-ipc.cz

 +420 552 301 002

 www.autocont-ipc.cz



PRŮMYSLOVÉ POČÍTAČE

fanless embedded PC, do racku, ...



POČÍTAČE S DISPLEJEM

panelové PC, terminály, do vozidel, ...



AUTOMATIZACE A SBĚR DAT

převodníky, karty, moduly, switche, ...



PERIFERIE A KOMPONENTY

monitory, klávesnice, desky, skříně, ...



NOTEBOOKY A TABLETY

odolné, windows, android, IP65, ...



INFORMAČNÍ KIOSKY

interiérové, venkovní, ...



MEDICÍNSKÁ TECHNIKA

počítače, tablety, LCD, klávesnice, ...



SOFTWAREVÁ ŘEŠENÍ

pro výrobu, zaměstnance, kiosky, ...



PŘEJÍT DO E-SHOPU

eshop.autocont-ipc.cz



DOPRAVA ZDARMA

Doprava zdarma v ČR a SR při objednávce nad 10 000 Kč bez DPH nebo nad 400 EUR.



PRODLOUŽENÁ ZÁRUKA

Záruka 2 roky na vyráběné počítače s možností jejího prodloužení až na 5 let.



ODMĚNA ZA VĚRNOST

Pravidelní zákazníci u nás nakupují za nižší ceny. Výše slevy se odvíjí od realizovaného obrátu.



SERVIS ON-SITE A IN-TIME

K projektovým dodávkám nabízíme rozšířenou podporu a servis s garancí výměny zařízení do 48 hodin.