

# UPOS-211 Series

**15" Ubiquitous POS Terminal**  
**UPOS-211D with Intel® BayTrail J1900**  
**UPOS-211F with Intel® Skylake Core i3 / i5 / Celeron**



DeviceOn/iService

## Features

- Equipped with DeviceOn / iService software for remote device management
- 15" TFT LCD (LED backlight) with 5 wire Resistive or PCAP Touch
- Built in Intel Baytrail J1900 or Skylake-U
- Stylish design with dual hinge, thinner boarder, slim screen
- Clear Cable Management
- Low power & fanless operation without heat ventilation holes
- Easy access to key components
- Easy peripheral mount design integrated
- Device Options: 2nd Display, MSR, VFD, RFID, Barcode Scanner
- Fully support WISE-PaaS/DeviceON



## Introduction

UPOS-211 is an All-in-One POS System with 15" true-flat PCAP touch or 5 wire Resistive touch. It is with Intel Baytrail or Skylake-U processor, fanless design with quiet operation and energy saving. It features dual hinge design which provides the smallest footprint to save counter space and reduce shipment freight. It provides easy access to key components. UPOS-211 supports both Windows and Android OS, and the front panel is with IP65 design, supports water and dust resistance, specific designed for Mini market store, Food merchandise, Convenience store, Specialty store. UPOS-211 is with the most competitive cost, and energy effective platform built for retail and hospitality.

Moreover, UPOS-211 is equipped with Advantech's DeviceOn/iService software, which is a next-generation unified device management solution based on the WISE-DeviceOn platform. With support for batch operations and multi-device control, DeviceOn/iService enables easy device configuration and deployment for convenient remote device management.

## Features Highlight



Foldable design with dual hinge



Tilt motion, 0~90 ° Freestyle rotation

- 1xUSB port on backside w/ rubber cover
- Screwed bracket design for USB port to ensure data security (Optional)



Easy Access USB port

Easy Access to USB Port



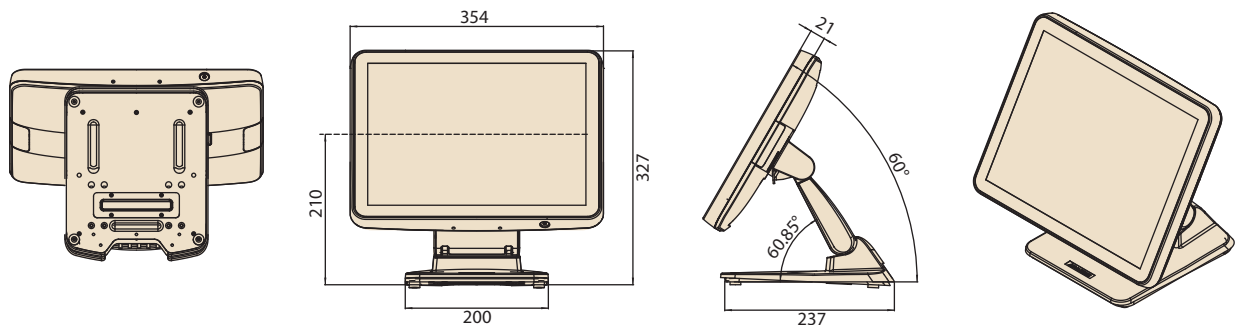
Wall Mount, via VESA mount kit

## Specifications

Model	UPOS-211DPX		UPOS-211D	UPOS-211F
Processor	Intel Bay Trail Quad Core J1900, 2GHz up to 2.42GHz			Skylake-U, i5-6300U/CORE i3-6100U/Celeron 3955U
Memory	Technology	DDR3L-1333		DDR4-2133
	Max. Capacity	8G		16G
	Socket	1 x 204 pin SO-DIMM		1 x 260 pin SO-DIMM
Storage	1 x 2.5" SATA HDD/SSD connector, SATA2 (3.0Gb/S); 1 x M.2 SSD		1 x 2.5" SATA HDD/SSD connector, SATA2 (3.0Gb/S)	1 x 2.5" SATA HDD/SSD connector, SATA3 (6.0Gb/S)
Panel	15" TFT LCD Display (1024 x 768), 300 cd/m <sup>2</sup>			
Touch Screen	15", Projected Capacitive Touch Panel (PCAP. Flat Glass)		15", Analog Resistive 5-wires (Res. Flat Glass) / Projected Capacitive Touch Panel (PCAP. Flat Glass) Light Transmission: Res. Touch 80% ±5% / Pcap Touch 85% ±3%	
Bus Expansion	1 x M.2 2230 E-KEY for Wifi&BT 1 x M.2 2242 B-KEY for SATA		1 x Mini PCIe (for Wifi or 3G), shared with mini SATA connector	
Audio	1 x 2W speaker installed. 1 x Line out		1 x 2W speaker installed. 1 x Line out (optional)	
Power Supply	60W power adapter			
Serial Port	External: 3 x COM RS232 ports on I/O board, COM1 support 5V & 12V by order, COM2/COM3 no power Internal: 1 x COM port, COM4 for VFD		External: 2 x COM RS232 ports on I/O board via RJ-48 connector, COM1 / COM2 support 5V & 12V by order Internal: 4 x COM port, COM3 for 5W Res. touch, COM4, COM5 support 5V & 12V by order, COM6 no power	
USB Port	External: 4 x USB2.0; 1 x USB3.0; 1 x Type C Internal: 1 x USB2.0 (for PCAP touch)		External: 2 x USB2.0; 1 x USB3.0; 5 x USB 2.0 ports (optional) Internal: 3 x USB2.0 (1x USB for PCAP touch)	External: 2 x USB3.0, 1 x USB2.0; 5 x USB2.0 (Optional) Internal: 3 x USB2.0 (1 x USB for PCAP touch)
Ethernet	LAN controller: Realtek RTL8111G-CG, 1x RJ-45 Gigabit Ethernet			LAN controller: Intel WGI219LM, 1x RJ-45 Gigabit Ethernet
Display Output	External: 1 x VGA Internal: 1 x VGA (for 10" 2nd Display)		1 x VGA, 1 x DP	
Cash Drawer	1 x RJ11, cash drawer, 24V default, 12V by order			
PS2	1 x PS2 (for MSR only)			
Parallel Port	-		1 x LPT (optional)	
DC-In	12V			
DC-Output	12V		-	
IP65	IP65 front panel protection			
Dimension (W x H x D)	354 x 327 x 237 mm, Stand: 237 x 200 mm			
Weight	5.2KG (Net weight) / 6.9KG (Gross weight)			
Operating Temp.	0 ~ 40° C			
Relative Humidity	10 ~ 90% @ 40° C			
Shock	10G peak acceleration (11ms duration)			
Vibration	5~500Hz 0.5Grms, random			
EMC / Safety	CE, CCC, UL, FCC, CB/LVD, VCCI, BSMI			
OS Support	POSReady 7, Windows 7 Pro, Windows 8.1 Pro (64-bit), Windows 10 IoT Enterprise, Linux Kernel 3.13 or above Android 4.4 (UPOS-211D series supports Android; UPOS-211F series does not support Android)			
DeviceOn/Service Remote Device Management	Operating System	Windows 10		
	Common Controls (Reboot, Shutdown)	✓		
	Remote desktop	✓(VNC)		
	Audio controls	✓		
	Connection Status	✓		
	Hardware Status	✓		
	Hard Disk Status	✓		
	Batch Operation Support	✓		
	OTA Storage Management	FTP		
	OTA Software Updates	✓		
	Software Watchlist	✓		
	Software Start/Stop	✓		
	Peripherals Watchlist	✓		

## Dimensions

Unit: mm



## Ordering Information

Part No.	Description
UPOS-211DPX-BST40	15", PCAP, J1900, 4G, 4C,5U, Blk, Generation 2
UPOS-211DP-BST40	15", PCAP, J1900, 4G RAM, 4COM, 5USB, W/Cable, Blk
UPOS-211DP-WST21	15", PCAP, J1900, 4G, 64G SSD, 4COM, 5USB, white
UPOS-211DP-BST00	15", PCAP, J1900, 4G, 64G SSD, 4COM, 5USB, no stand
UPOS-211FP-BST40	15", PCAP, i3-6100U, 4G RAM, 4COM, 5USB, W/Cable, Blk
UPOS-211FP-BI520	15", PCAP, i5-6300U, 4G, 64G SSD, 4COM, 5USB, Blk

## POS Accessory

Part No.	Description
96CB-POWER-B-1.8MA	Power Cord (China), 3P 1.8M, BK(CCC)
17AP164900518011	Power Cord CEE 7/16+C13 L1.8M (CE)
1700013977	Power Cord 10A 250V 3P 180/90 CCC 200cm (CCC)
1702002600	Power Cord 3P UL/CSA(USA) 125V 10A 1.83M 180D
1700020098	Power Cord 3P 10A 250V 183CM (Australian)
1702002605	Power Cord 2P FRANCE 10A/16A 220V 1.83M 90D (EU)
1700001714	Power Cord BSMI 3P 7A 125V 18AWG 180CM (BSMI)
1700000237	Power Cord 3P PSE 12A 125V 1.83M (Japan)
1700018704	Power Cord BSI 2P 10A 250V 180cm (UK)
1700025855-01	Power Cord ISI 3P 10A 250V 183cm (INDIA)
URP-PT800-B401	80mm Thermal Printer, USB+Serial+Ethernet,blk

## POS Peripherals

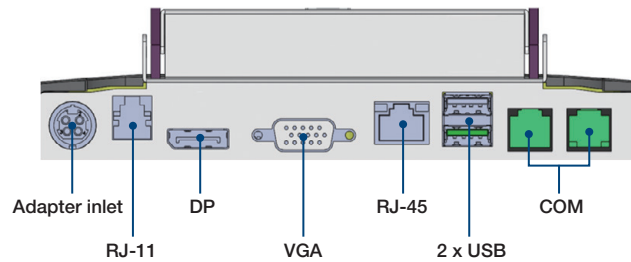
Part No.	Description
USC-P01-B110	VFD, Rear mount, black
UPOS-M10G-BST10	10.1" 2nd display, no touch, rear mount for UPOS-211, blk
USC-M3G-BST00	11.6" 2nd display, no touch,pole mount,blk
USC-M3P-BST00	11.6" 2nd display, PACP touch,pole mount,blk
UPOS-M15G-AST00	15" 4:3 monitor Glass HDMI VGA BK w/cables
UPOS-M15P-AST02	15" 4:3 monitor P-touch BK w/USB VGA cable
UPOS-P03-B110	MSR, PS2 for UPOS-211, black
UPOS-P03-B113	MSR+RFID for UPOS-211, black
UPOS-P03-B114	MSR+Fingerprint for UPOS-211, black
UPOS-P03-B116	RFID for UPOS-211, Left, black
UPOS-P03-B117	Slim, MSR, PS2 for UPOS-211, black
UPOS-P03-B118	Slim, MSR+iButton for UPOS-211, black
UPOS-P05-B110	2D Barcode scanner for UPOS-211, black
USC-P05-B110	2D Barcode scanner , black
IRS-WIFI-A2E	UPOS-211,WIFI KIT,W157,1T1R,BT4.0,Antenna
1960080774N001	VESA BRACKET-1 FOR UPOS-211(Black)
1960080774N002	VESA BRACKET-1 FOR UPOS-211(WHITE)
1960078502N000	Wall MOUNT BRACKET FOR wall(should order together)
1960078503N000	Wall MOUNT BRACKET FOR unit(should order together)
UPOS-P07-B120	UPOS-211 Pole stand for 2nd display

## I/O Interface

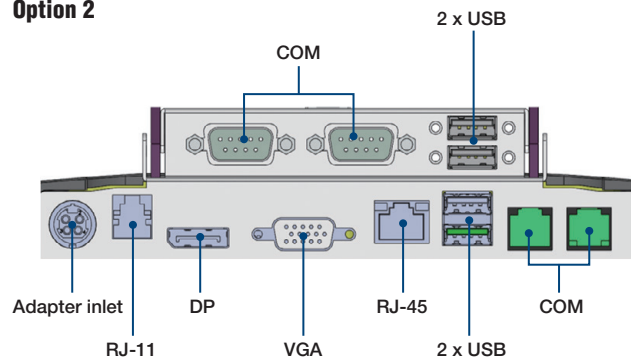


### UPOS-210D/UPOS-211F

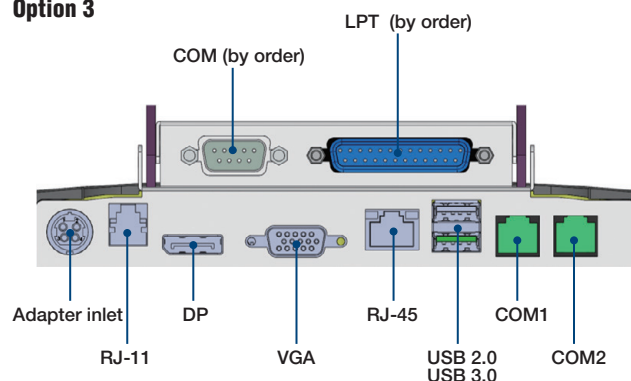
#### Option 1



#### Option 2



#### Option 3

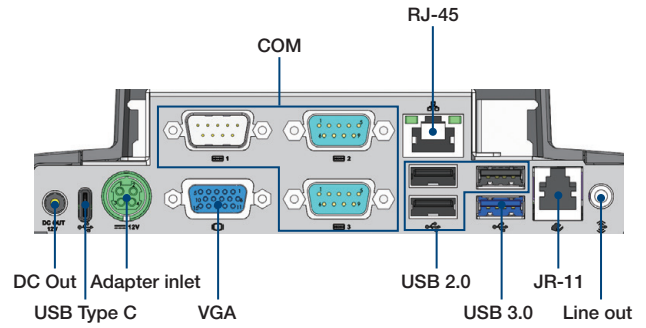


# UPOS-211 Series

## Operating system

Part No.	Description
2070015279	Image WIN10 LTSB-6 UPOS-211D V1.00 7MUI x64
2070014960	Image POSReady7 UPOS-211D V1.00 5MUI x64
20708WX6HS0002	Image WIN10 LTSB-6-U UPOS-211F(I5) V1.00 7MUI x64
20708AIONS0001	UPOS-211D V0.9.5 Android Image 444
2070015299	UPOS-211D LUBuntu1604 x64 ENG OS V1.0.1
20708WE7PS0016	Image WES7P UPOS-211D V1.01 5MUI 64Bit
20708WE7PS0017	Image WES7P UPOS-211D V1.01 5MUI 32Bit
20708WE7PS0018	Image WES7P UPOS-211F V1.00 7MUI x64
20708WP7SS0004	Image WIN7PSP1 UPOS-211F V1.00 5MUI x64
20708WP81S0012	Image Win8.1IndustryPro UPOS-211F V1.00 7MUI x64
20708WSR7S0001	Image POSREADY7 UPOS-211F V1.00 5MUI x64

## UPOS-211DPX



# DeviceOn/iService

## Unified Remote Device Management Software



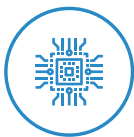
### Features

- Supports Advantech devices equipped with Windows, Android, and Linux OS
- Flexible device, location, user, and permissions management
- Enables remote monitoring and control of hardware, software, and peripherals
- Supports over-the-air (OTA) firmware and software updates
- Ensures quick, easy, and secure device onboarding
- RESTful APIs for third-party system integration

### Introduction

Advantech's DeviceOn/iService is a next-generation unified device management solution based on the WISE-DeviceOn platform. Designed to enable centralized monitoring and remote management, DeviceOn/iService supports Advantech devices equipped with Windows, Linux, or Android operating systems. The software also supports the management of applications and integrated peripherals, such as a barcode scanner, card reader, camera, and printer. Users can remotely access and control connected devices, take screenshots, rollout OTA upgrades, and use remote desktop capabilities for troubleshooting from any location at any time. Moreover, DeviceOn/iService supports batch operations to facilitate the management of multiple devices simultaneously for easy and convenient device configuration and deployment.

### Total Management



#### Devices & Hardware

- Windows, Linux, Android
- Hardware, storage, battery



#### Software & Peripherals

- Software monitoring & access
- Screens, USB devices, printers



#### Open for Expansion

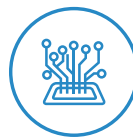
- Peripheral integration
- Open APIs for integration

### Remote Access



#### Real-Time Monitoring

- Connection/hardware status
- Software/peripheral status
- Failure notifications



#### Remote Controls

- Power controls
- Audio, backlight controls
- Software controls



#### Troubleshooting

- Screenshots
- Remote desktop support

### Operational Efficiency



#### OTA updates

- System/software updates
- File repository management
- App store



#### Batch Controls

- 1-to-many batch reboot, etc.
- Time-saving tasks

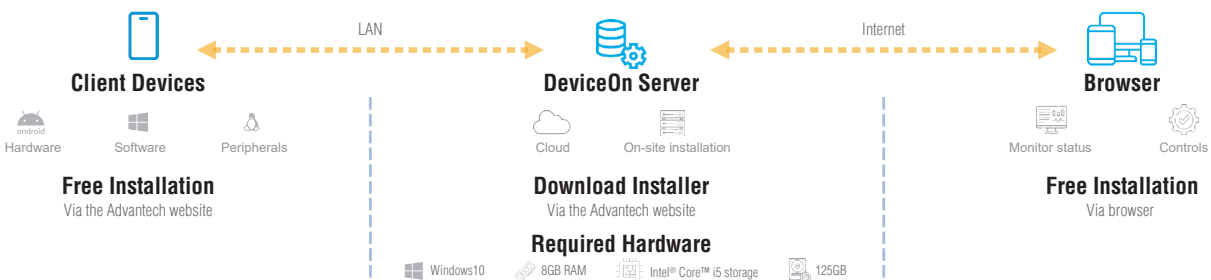


#### Setup Booster

- Software/peripheral watchlist
- Roles, rule templates

Note: Some functions may vary according to the product

### System Architecture



# Tento produkt můžete zakoupit u společnosti AutoCont IPC a.s.



## AutoCont IPC a.s.

Váš dodavatel průmyslových počítačů, komponent a speciálních průmyslových IT systémů.

 Uhlířská 1064/3, 710 00 Ostrava, Česká republika

 obchod@autocont-ipc.cz

 +420 552 301 002

 [www.autocont-ipc.cz](http://www.autocont-ipc.cz)



### PRŮMYSLOVÉ POČÍTAČE

*fanless embedded PC, do racku, ...*



### POČÍTAČE S DISPLEJEM

*panelové PC, terminály, do vozidel, ...*



### AUTOMATIZACE A SBĚR DAT

*převodníky, karty, moduly, switche, ...*



### PERIFERIE A KOMPONENTY

*monitory, klávesnice, desky, skříně, ...*



### NOTEBOOKY A TABLETY

*odolné, windows, android, IP65, ...*



### INFORMAČNÍ KIOSKY

*interiérové, venkovní, ...*



### MEDICÍNSKÁ TECHNIKA

*počítače, tablety, LCD, klávesnice, ...*



### SOFTWAREVÁ ŘEŠENÍ

*pro výrobu, zaměstnance, kiosky, ...*



### PŘEJÍT DO E-SHOPU

[eshop.autocont-ipc.cz](http://eshop.autocont-ipc.cz)



### DOPRAVA ZDARMA

Doprava zdarma v ČR a SR při objednávce nad 10 000 Kč bez DPH nebo nad 400 EUR.



### PRODLOUŽENÁ ZÁRUKA

Záruka 2 roky na vyráběné počítače s možností jejího prodloužení až na 5 let.



### ODMĚNA ZA VĚRNOST

Pravidelní zákazníci u nás nakupují za nižší ceny. Výše slevy se odvíjí od realizovaného obrátu.



### SERVIS ON-SITE A IN-TIME

K projektovým dodávkám nabízíme rozšířenou podporu a servis s garancí výměny zařízení do 48 hodin.