

PPC-6151C

15" Configurable Panel PC Chassis for Selectable Mini-ITX Motherboards



Features

- 15" true-flat panel PC with resistive touch
- Supports certified mini-ITX motherboards (up to 65W TDP processor)
- PCI or PCIe expansion slots
- Front-facing power status LED indicators
- IP65-rated front panel

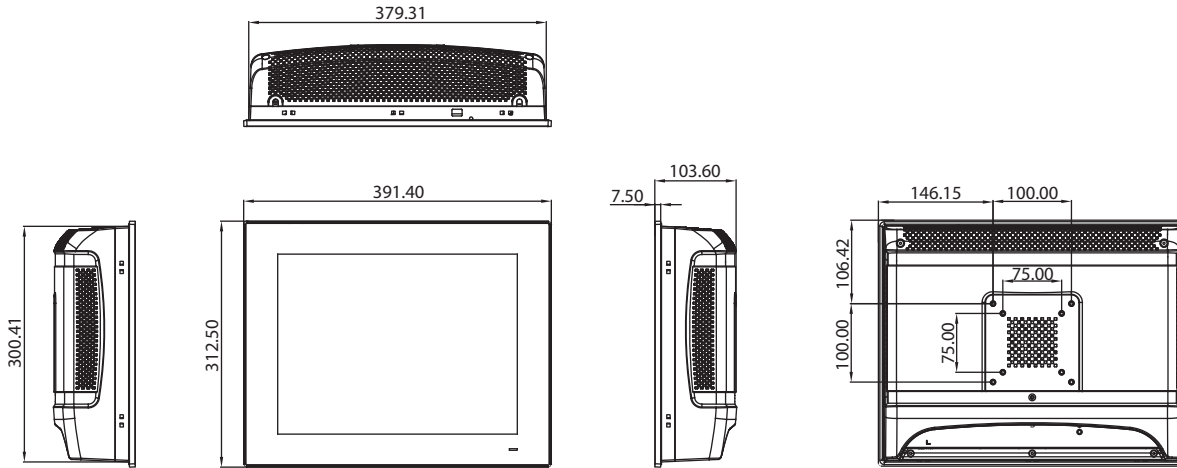


Specifications

Model		PPC-6151C-RTAE	PPC-6151C-RMAE
Supported Motherboard		PPC-MB series	<ul style="list-style-type: none"> ▪ AIMB-275 ▪ AIMB-226
Chassis	Storage	1 x 2.5" SATA HDD bay / 2 x 2.5" SATA HDD bay (optional)	2 x 2.5" SATA HDD bay
	I/O	4 x Reserved ports (DB9) 2 x WLAN antenna holes	
		1 x AC inlet 1 x Power switch Reserved opening: According to the PPC-MB-8260AE/ PPC-MB-610 motherboard specifications	
		1 x AC inlet 1 x Power switch Reserved opening: According to the motherboard specifications	
	Expansion	1 x PCIe x4 or 2 x PCI (in the accessory box), 2 x PCIe x1 (optional), 1 x PCIe x1 + 1 x PCI (optional) 2 x PCIe x8 (optional, only for PPC-MB-610) 1 x PCIe x16 (optional, only for PPC-MB-610)	1 x PCIe x4 or 1 x PCI (in the accessory box)
Speaker	2 x 1 W (optional)		
Physical Characteristics		Fan	
		2 x 12V; 60 x 60 x 15 mm (2.36 x 2.36 x 0.59 in)	
		Dimensions (W x H x D)	
		391.4 x 312.5 x 103.6 mm (15.4 x 12.3 x 4.08 in)	
		Weight	
		5.03 kg (11.08 lb)	
OS Support		According to motherboard specifications	
Power Consumption		OS Support	
		100 ~ 240 V _{AC} , 250W	
		Input Voltage	
		SKL: 90W/KBL:120W (with PPC-MB-8260AE) CFL: 162W (with PPC-MB-610)	
		Power Consumption	
LCD	Display Type	15" TFT LED panel	
	Max. Resolution	1024 x 768	
	Viewing Angle	88 (left), 88 (right), 88 (up), 88 (down)	
	Luminance (cd/m ²)	500	
	Contrast Ratio	2500	
	Backlight Lifetime	50,000 hr	
Touchscreen	Touch Type	5-wire analog resistive, with optional projected capacitive touch	
	Light Transmission	80+/-5%	
	Controller	USB interface	
	Durability	35 million touches	
Environment	Operating Temperature	0 ~ 50 °C (32 ~ 122 °F)(With 35W CPU)	0 ~ 50 °C (32 ~ 122 °F)
		0 ~ 45 °C (32 ~ 113 °F)(With 65W CPU)	
	*** please refer to the PPC-MB-8260AE/ PPC-MB-610 CPU list		
	Storage Temperature	-30 ~ 60 °C (-22 ~ 140 °F)	
	Relative Humidity	10 ~ 95% @ 40 °C (non-condensing)	
	Shock	Operating: 10 G peak acceleration (11 ms duration), IEC 60068-2-27 compliant	
	Vibration	Operating: Random vibration test 5 ~ 500 Hz, 1 Grms @ with HDD, IEC 60068-2-64 compliant	
	EMC	CE,FCC,Class A	CE,FCC,Class A
	Safety	CB,CCC,UL	CB,CCC,UL
Front Panel Protection	IP65 compliant		

Dimensions

Unit: mm



Panel Cutout Dimensions: 382 x 303 mm (15.03 x 11.92 in)

Ordering Information

M/B Part Number	Chassis Part Number	Cooler Part Number
PPC-MB-8260AE / PPC-MB-610 / PPC-MB-8260AO / PPC-MB-6100 (assembled in China)	PPC-6151C-RTAE (assembled in China)	1960053207N001
PPC-MB-8260AU/ PPC-MB-610U (assembled in Taiwan)	PPC-6151C-RTAU (assembled in Taiwan)	1960053207N001
AIMB-275	PPC-6151C-RMAE	1960053207N001
AIMB-226	PPC-6151C-RMAE	1960061914N001

Note 1. The motherboard, chassis, and cooler should be ordered together to ensure easy configuration.

Note 2. The chassis is equipped with AC power supply and riser cards.

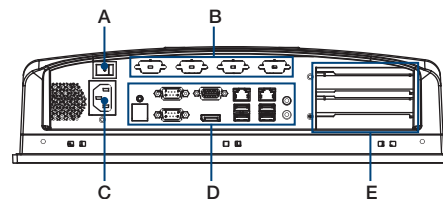
Optional Accessories

Part Number	Description
PPC-WLAN-C1E	M.2 Wi-Fi Module with Antenna cable support 2T2R
1702002605	Power cable (EU) 90D 220 ~ 250V/6A, 1.8 M
1702002600	Power cable (US) 180D 125V/10A, 1.83 M
1702031801	Power cable (UK), 1.8 M
96CB-POWER-B-1.8MA	Power cable (China), 1.8 M
9893BE0200E	PPC-61X1C-RTAE riser card with 2 x PCIe x1 slots
9893BE03000	PPC-61X1C-RTAE riser card with 1 x PCIe x1 and 1 x PCI slots
9893BE17000	PPC-61X1C-RTAE riser card with 2 x PCIe x8 slots (only for PPC-MB-610)
98R36151C20	PPC-61X1C-RTAE riser card with 1 x PCIe x16 slots (only for PPC-MB-610)
PPC-ARM-A03	ARM VESA Standard (A-CLEVER) for PPC series
PPC-174T-WL-MTE	Wall mount kit for PPC series
PPC-Stand-A1E	Stand for PPC series
1700027838-01	Cable for two internal USB for PPC-MB-XXXX with I/O BKT
98R36151C10	the second 2.5"SATA HDD for PPC-61X1C-RTAE (only one riser card slots available)
98R3P612100	TPM module for PPC-MB-610

Please note: If some optional modules are offered with the system, additional system certificates may be required in certain regions/countries. Please contact Advantech for certificate compliance.

I/O View

PPC-6151C-RTAE



- A. Power switch
- B. Reserved ports
- C. AC inlet
- D. PPC-MB-XXXX I/O port
- E. Expansion x 2

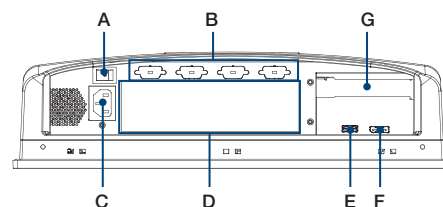
Note 1: The max. dimension of expansion cards supported is 178 x 107 x 40 mm.

Note 2: If the two slots are to be used simultaneously, the max. dimension supported is 178 x 107 x 20 mm for each PCI or PCIe expansion card.

Note 3: The max. power consumption of PCIe expansion card supported is 75W.

Note 4: If use dual HDD kits, only one riser card slots available.

PPC-6151C-RMAE



- A. Power switch
- B. Reserved ports
- C. AC inlet
- D. Mini-ITX motherboard I/O port
- E. USB 2.0 (input, for connecting the motherboard and touch controller)
- F. Display port (input, for connecting the motherboard and LVDS panel)
- G. Expansion x 1

M/B offering for PPC-61X1C-RTAE

PPC-MB-8260AE



Features

- Supports Intel® 6th & 7th Gen Core™ i processor (LGA1151) with Intel H110 chipset
- One 260-pin SO-DIMM up to 16GB DDR4 2133 MHz SDRAM
- Supports triple display of DP/VGA/LVDS
- Supports 1 F/S miniPCIe or mSATA, 4 USB 3.0 and 2 USB 2.0
- Supports 1 PCIe x4(Gen3)
- Supports 2 SATA 6 Gb/s Ports
- Supports 4 RS-232, 1 RS-232/422/485
- Supports 1 GPIO(8 channels)

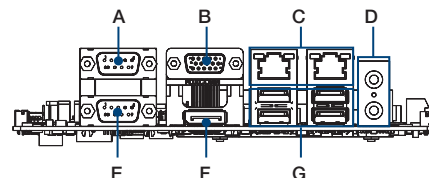
Specifications

CPU	CPU	KBL	i7-7700	i5-7500	i3-7101E	/	/
		SKL	i7-6700TE	i5-6500TE	i3-6100TE	Pentium G4400TE	Celeron G3900TE
	Core NO.	Quad Core		Quad Core	Dual Core	Dual Core	Dual Core
		MAX Speed	KBL	3.6GHz (up to 4.2GHz)	3.4GHz (up to 3.8GHz)	3.9GHz	/
	SKL		2.4GHz (up to 3.4GHz)	2.3GHz (up to 3.3GHz)	2.7GHz	2.4GHz	2.3GHz
	L3 Cache	KBL	8M	6M	4M	/	/
SKL				3M	3M	2M	
TDP	KBL	65W	65W	54W	/	/	
	SKL	35W	35W	35W	35W	35W	
Chipset		H110					
Memory		1 x 260-pin SODIMM DDR4, 2133 MHz, up to 16 GB (non-ECC)					
Network (LAN)		2 x 10/100/1000 Mbps Ethernet and 2 x Intel® I211					
Rear I/O		1 x RS232/422/485, 1 x RS232, 1 x DP1.2, 1 x VGA, 4 x USB3.0, 1 x Line-out, 1 x Mic-in					
Internal Connector		3 x RS232, 1 x GPIO (8 channels), 1 x speaker, 1 x LED, 2 x USB 2.0, 1 x LVDS, 1 x touch control, 2 x SATA					
Watchdog Timer		255 timer intervals, configurable using software					
Expansion		1 x full-size mSATA or mini PCIe and 1 x PCIe x4 slot for riser card					
Dimensions (W x H)		170 x 170 mm (6.69 x 6.69")					
OS Support		Microsoft® Windows 7 (32/64-bit), Windows 8.1/10 (64-bit) (**KBL CPU only support windows 10 64bit)					

Ordering Information

Part Number	Description
PPC-MB-8260AE	Mini-ITX M/B support 6/7th Core i for PPC-6000C, assembled in China
PPC-MB-8260AO	Mini-ITX M/B support 6/7th Core i for PPC-6000C, without audio function, assembled in China
PPC-MB-8260AU	Mini-ITX M/B support 6/7th Core i for PPC-6000C, assembled in Taiwan

I/O view



- | | |
|--|------------------|
| A. RS232 | E. RS232/422/485 |
| B. VGA | F. Display Port |
| C. 2 x Gigabit Ethernet | G. USB 3.0 |
| D. Line-out/Mic-in (PPC-MB-8260AO is excluded) | |

PPC-MB-610



Features

- Supports Intel® 8th & 9th Gen Core™ i processor (LGA1151) with Intel Q370 chipset
- Two 260-pin SO-DIMM up to 32GB DDR4 2666 MHz SDRAM
- Supports triple display of DP/VGA/LVDS
- Supports PCIe x16 (Gen 3), 1 M.2 M key & 1 M.2 E key, 6 x USB 3.1
- Supports 2 x SATA 3.0 (Raid 0, 1)
- Supports TPM 2.0 (optional)
- Supports 4 RS-232, 1 RS-232/422/485
- Supports 1 GPIO(8 channels)

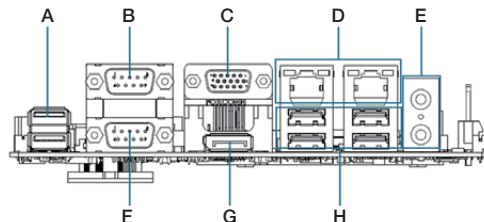
Specifications

CPU	CPU	i7-8700/ i7-8700T	i5-8500/ i5-8500T	i3-8100/ i3-8100T	Pentium G5400/G5400T	Celeron G4900/ G4900T	i7-9700E/ i7-9700TE	i5-9500E/ i5-9500TE	i3-9100E/ i3-9100TE
	Core NO.	6/6	6/6	4/4	2/2	2/2	8/8	6/6	4/4
	Max Speed	3.2 GHz (up to 4.6GHz)/ 2.4 GHz (up to 4.0GHz)	3.0 GHz (up to 4.1GHz)/ 2.1 GHz (up to 3.5GHz)	3.6/3.1 GHz	3.7 / 3.1 GHz	3.1 / 2.9 GHz	2.6GHz (up to 4.4GHz)/ 1.8 GHz (up to 3.8GHz)	3.0GHz (up to 4.2GHz)/ 2.2 GHz (up to 3.6GHz)	3.1GHz (up to 3.7GHz)/ 2.2 GHz (up to 3.2GHz)
	L3 Cache	12 / 12 MB	9 / 9 MB	6 / 6 MB	4 / 4 MB	2 / 2 MB	12 / 12 MB	9 / 9 MB	6 / 6 MB
	TDP	65 / 35 W	65 / 35 W	65 / 35 W	54 / 35 W	54 / 35 W	65 / 35 W	65 / 35 W	65 / 35 W
Chipset		Q370							
Memory		2 x 260-pin SODIMM DDR4 , 2666 MHz , up to 32 GB (non-ECC)							
Network (LAN)		2 x 10/100/1000 Mbps Ethernet and 1 x Intel® I219LM (support AMT 12.0 only for i7 & i5) , 1 x Intel i211							
Rear I/O		1 x RS232/422/485 , 1 x RS232 , 1x DP1.2 , 1 x VGA , 6 x USB3.1 , 1 x Line-out , 1 x Mic-in							
Internal Connector		3 x RS232 , 1 x GPIO (8 channels) , 1 x speaker , 1 x LED , 2 x USB 2.0 , 1 x LVDS , 1 x touch control , 2 x SATA 3.0 (support RAID 0,1) , 1 x TPM2.0							
Watchdog Timer		255 timer intervals , configurable using software							
Expansion		1 x M.2 slot(2280 M key) for storage; 1 x M.2 slot (2230) for wireless 1 x PCIe x16 slot for riser card							
Dimensions (W x H)		170 mm x 170 mm (6.69" x 6.69")							
OS Support		Microsoft® Windows 10 (64 bit) , Linux							

Ordering Information

Part Number	Description
PPC-MB-610	Mini-ITX M/B support 8/9th Core i for PPC-6000C, assembled in China
PPC-MB-6100	Mini-ITX M/B support 8/9th Core i for PPC-6000C, without audio function, assembled in China
PPC-MB-610U	Mini-ITX M/B support 8/9th Core i for PPC-6000C, assembled in Taiwan

I/O view



- | | |
|-------------------------|--|
| A. USB3.1 | E. Line-out/Mic-in (PPC-MB-6100 is excluded) |
| B. RS232 | F. RS232/422/485 |
| C. VGA | G. Display Port |
| D. 2 x Gigabit Ethernet | H. USB 3.1 |

Tento produkt můžete zakoupit u společnosti AutoCont IPC a.s.



AutoCont IPC a.s.

Váš dodavatel průmyslových počítačů, komponent a speciálních průmyslových IT systémů.

 Uhlířská 1064/3, 710 00 Ostrava, Česká republika

 obchod@autocont-ipc.cz

 +420 552 301 002

 www.autocont-ipc.cz



PRŮMYSLOVÉ POČÍTAČE

fanless embedded PC, do racku, ...



POČÍTAČE S DISPLEJEM

panelové PC, terminály, do vozidel, ...



AUTOMATIZACE A SBĚR DAT

převodníky, karty, moduly, switche, ...



PERIFERIE A KOMPONENTY

monitory, klávesnice, desky, skříně, ...



NOTEBOOKY A TABLETY

odolné, windows, android, IP65, ...



INFORMAČNÍ KIOSKY

interiérové, venkovní, ...



MEDICÍNSKÁ TECHNIKA

počítače, tablety, LCD, klávesnice, ...



SOFTWAREVÁ ŘEŠENÍ

pro výrobu, zaměstnance, kiosky, ...



PŘEJÍT DO E-SHOPU

eshop.autocont-ipc.cz



DOPRAVA ZDARMA

Doprava zdarma v ČR a SR při objednávce nad 10 000 Kč bez DPH nebo nad 400 EUR.



PRODLOUŽENÁ ZÁRUKA

Záruka 2 roky na vyráběné počítače s možností jejího prodloužení až na 5 let.



ODMĚNA ZA VĚRNOST

Pravidelní zákazníci u nás nakupují za nižší ceny. Výše slevy se odvíjí od realizovaného obrátu.



SERVIS ON-SITE A IN-TIME

K projektovým dodávkám nabízíme rozšířenou podporu a servis s garancí výměny zařízení do 48 hodin.