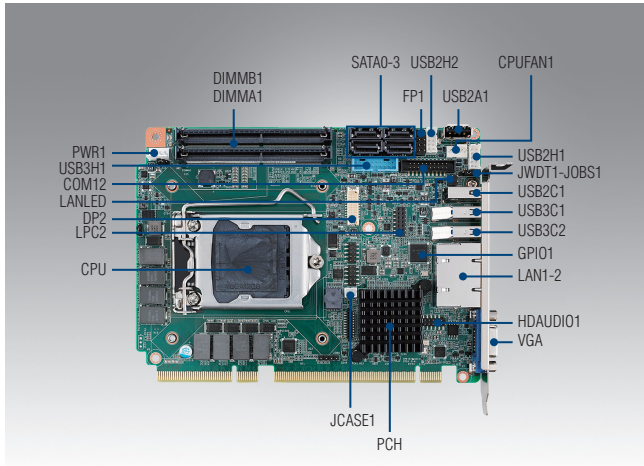


PCE-4132

LGA1200 10th Gen Intel® Xeon® and Core™ i9/i7/i5/i3 Half-size SHB with PCIe 3.0/Triple Independent Display/ Dual GbE LAN/SATA III/USB 3.2



CE FCC

Features

- Complies with PICMG 1.3
- Supports Intel Xeon W Family series, Core i9/i7/i5/i3 LGA1200 processors with W480E
- Dual Channel DDR4 2666/2933 (ECC/non-ECC) up to 64 GB
- Supports PCIe 3.0, USB 3.2, SATA3.0, SW RAID 0, 1, 5, 10
- Supports triple displays: VGA+DVI-D (optional) + DP (optional)
- Supports Advantech TPM module (optional)
- Supports WISE-DeviceOn and embedded software APIs

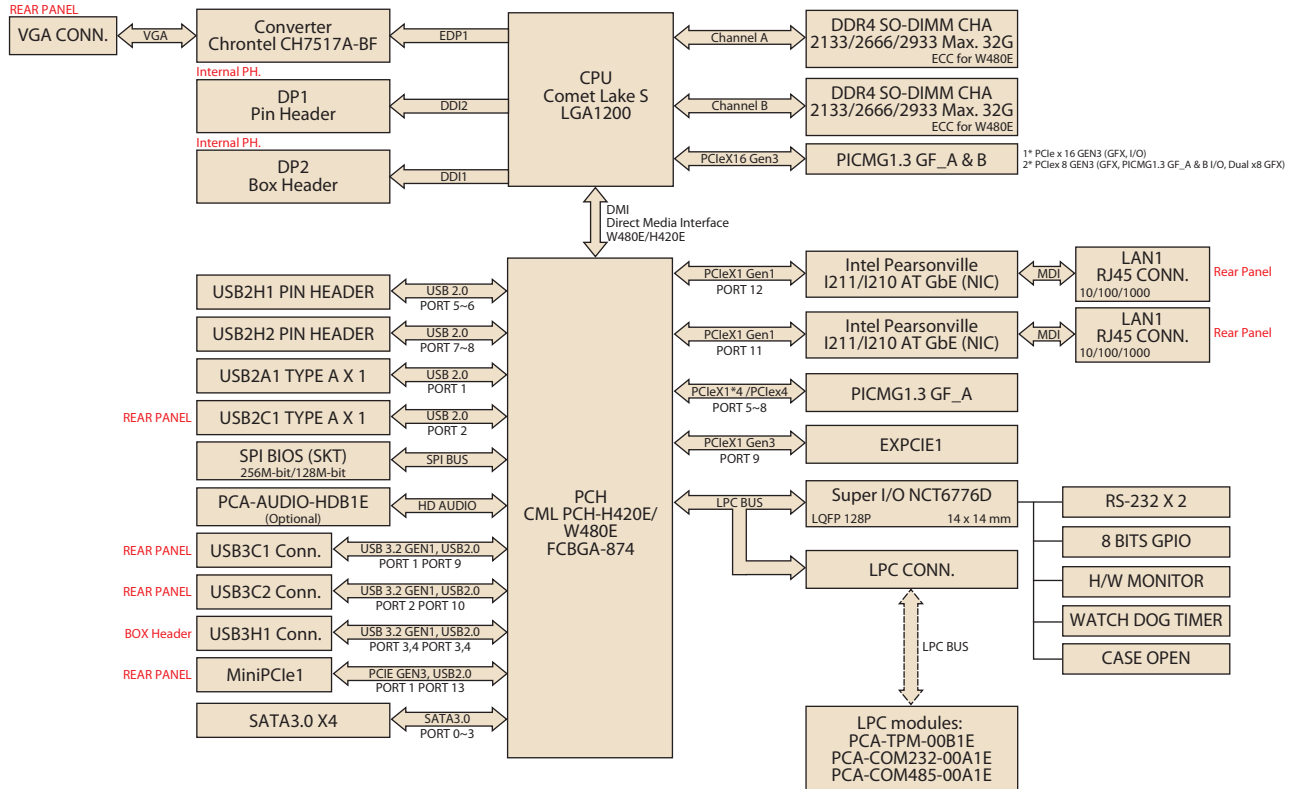
Specifications

Processor System	CPU	*W-1290E	W-1290TE	*W-1270E	W-1270TE	*W-1250E	W-1250TE	I9-10900E	I9-10900TE	I7-10700E	I7-10700TE	I5-10500E	I5-10500TE	I5-10500E	I3-10100E	I3-10100TE					
	Speed	3.50GHz	1.80GHz	3.40GHz	2.00GHz	3.50GHz	2.40GHz	2.80GHz	1.80GHz	2.00GHz	2.90GHz	3.10GHz	3.10GHz	2.30GHz	3.6GHz	2.30GHz					
	L3 Cache	20MB	20MB	16MB	16MB	12MB	12MB	20MB	20MB	16MB	16MB	12MB	12MB	12MB	6MB	6MB					
	Cores	10	10	8	8	6	6	10	10	8	8	6	6	6	4	4					
	TDP	95W	35W	80W	35W	80W	35W	65W	35W	35W	65W	65W	65W	35W	65W	35W					
	SKU/Chipset	Intel® W480E																			
	BIOS	AMI® SPI Flash 256 Mbit																			
Bus	PCI-Express	Two x8 or one x16, plus four x1 to backplane (PCIe Gen 3.0)																			
Memory	Technology	Dual channel DDR4 ECC 2666/2933 MHz (ECC function enable depends on processor support)																			
	Max. Cap.	64 GB (32 GB per DIMM)																			
	Socket	DDR4 260-pin SO-DIMM X2																			
Graphics	Controller	Chipset integrated Intel HD Graphics																			
	VRAM	Shared system memory is subject to OS																			
	VGA	Supports resolution up to 2048 x 1152 pixel at 60MHz																			
	DVI-D	Supports resolution up to 1920 x 1200 pixel at 60MHz																			
	DP	Supports resolution up to 4096 x 2160 @ 60Hz																			
Triple Display	VGA + DP (Optional: PCE-SA01-00A1E) + DVI-D (Optional: 1700021831-01)																				
Ethernet	Interface	10/100/1000 Mbps																			
	Controller	LAN 1: Intel i210AT LAN 2: Intel i210AT																			
	Connector with LED	RJ45 x 2																			
Rear I/O	USB 3.2	2																			
	USB 2.0	1																			
	Ethernet	2																			
	VGA	1																			
Internal Connector	USB	6 USB2.0 (Pin headers*4 + USB Type A*1); 4 USB3.0 (Pin header)																			
	SATA 3.0	4 (600 MB/sec, supports S/W RAID 0,1, 5, 10)																			
	mini-PCIe	1 (Optional: PCE-SA01-00A1E, PCIe Gen 2.0)																			
	COM	2 (RS-232)																			
	GPIO	8 bits																			
Watchdog Timer	Output	System reset																			
	Interval	Programmable 1-255 sec																			
Miscellaneous	Audio	Intel High Definition audio interface (requires an audio extension module P/N: PCA-AUDIO-HDB1E)																			
Power Requirement	Test environment	CPU: Intel® Core™ i7-10700E CPU @2.90GHZ, DRAM: 4GB SO-DDR4-2666*2																			
	Voltage	+V12					+V5_SB					+V3.3					+V5				
	Current	4.36A					0.17A					1.8A					2.13A				
Environment	Operating	Operating										Non-operating									
	Temperature/Humidity	0 ~ 60 °C (32~140 °F); depends on CPU frequency and cooler solution Operating humidity: 40 °C @ 85% RH non-condensing										-40 ~ 85 °C and 60 °C @ 95% RH non-condensing									
Physical	Dimensions (L x H)	172.64 mm x 126.39 mm																			

* PCE-4132 support 65W CPU under 60C board-lever temperature.

* for 80W/95W CPU, need to proceed under room-temperature.

Block Diagram



Ordering Information

Part Number	PCH	Memory	Backplane	LAN	VGA	DVI-D	DP	COM	SATA III	USB 2.0	USB 3.2	mini-PCIe	S/W RAID	AMT
PCE-4132G2-00A1	W480E	ECC/Non-ECC	PCE-3BXX PCE-4BXX	2	1	1*	1**	2 RS-232 4 RS-422/485 or 4 RS-232 (optional)***	4	6	4	1**	Yes	No

* DVI-D cable (1700021831-01) is optional.

** PCE-SA01-00A1E is required. PCE-SA01-00A1E is compatible with IPC-3026/IPC-6806S/ACP-4020, but not compatible with IPC-3012.

***PCA-COM485-00A1E is required for additional 4*RS-422/485; PCA-COM232-00A1E is required for additional 4*RS-232.

Packing List

Part Number	Description	Quantity
1700003194	Serial ATA HDD data cable	x1
1700008762	2-port COM cable	x1
2041303200	Startup manual	x1

Optional Accessories

Part Number	Description
*PCA-COM485-00A1E	4 x RS-422/485 module
PCA-COM232-00A1E	4 x RS-232 module
PCA-AUDIO-HDB1E	Audio module with Realtek ACL892
PCA-TPM-00B1E	TPM 2.0 module
PCE-SA01-00A1E	I/O extension module
1700021831-01	DP to DVI-D cable w/ BKT
1960053065N001	CPU cooler for 1U Chassis and 55W TDP
1960053207N001	CPU cooler for 1.5U Chassis and 65W TDP
1960050255N001/ 1960077101N001	CPU cooler for 2U Chassis and 95W TDP

*for COM-422 module, BIOS auto-flow need to be set at disable

Bracket View



PCE-4132G2-00A1

Tento produkt můžete zakoupit u společnosti AutoCont IPC a.s.



AutoCont IPC a.s.

Váš dodavatel průmyslových počítačů, komponent a speciálních průmyslových IT systémů.

 Uhlířská 1064/3, 710 00 Ostrava, Česká republika

 obchod@autocont-ipc.cz

 +420 552 301 002

 www.autocont-ipc.cz



PRŮMYSLOVÉ POČÍTAČE

fanless embedded PC, do racku, ...



POČÍTAČE S DISPLEJEM

panelové PC, terminály, do vozidel, ...



AUTOMATIZACE A SBĚR DAT

převodníky, karty, moduly, switche, ...



PERIFERIE A KOMPONENTY

monitory, klávesnice, desky, skříně, ...



NOTEBOOKY A TABLETY

odolné, windows, android, IP65, ...



INFORMAČNÍ KIOSKY

interiérové, venkovní, ...



MEDICÍNSKÁ TECHNIKA

počítače, tablety, LCD, klávesnice, ...



SOFTWAREVÁ ŘEŠENÍ

pro výrobu, zaměstnance, kiosky, ...



PŘEJÍT DO E-SHOPU

eshop.autocont-ipc.cz



DOPRAVA ZDARMA

Doprava zdarma v ČR a SR při objednávce nad 10 000 Kč bez DPH nebo nad 400 EUR.



PRODLOUŽENÁ ZÁRUKA

Záruka 2 roky na vyráběné počítače s možností jejího prodloužení až na 5 let.



ODMĚNA ZA VĚRNOST

Pravidelní zákazníci u nás nakupují za nižší ceny. Výše slevy se odvíjí od realizovaného obrátu.



SERVIS ON-SITE A IN-TIME

K projektovým dodávkám nabízíme rozšířenou podporu a servis s garancí výměny zařízení do 48 hodin.