

AIMC-2000

Front Access Fan-less Micro Computer,
Intel® Celeron® J1900 SoC with
VGA/HDMI, 6 COMs, 8 USBs



Features

- Intel® Baytrail Platform
 - Intel® Celeron® J1900 SoC
 - Fanless Design
- Compact & Rich I/O Configuration
 - One internal 2.5" SATA HDD bay & one mSATA slot for storage
 - VGA , HDMI, 2 GbE LAN, 7 USB 2.0, 1 USB 3.0, 5 RS-232, 1 RS-232/422/485
 - One mini PCIe expansion to support full size module
 - Line in , Line out with 6W amplifier
- Energy Savings
 - DC 12V power input

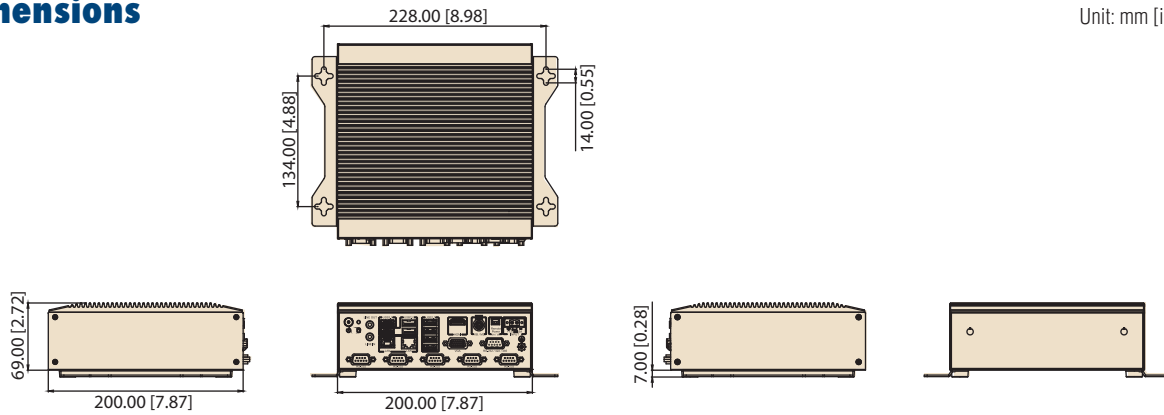


Specifications

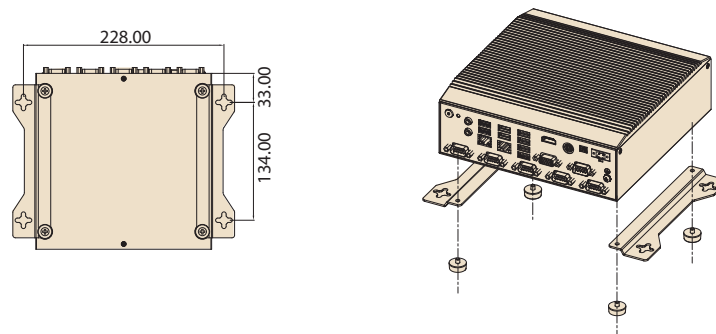
Processor System	CPU	Intel J1900	
	Core	4	
	Base Frequency	2.0 GHz	
	L2 Cache	2 MB	
Memory	BIOS	AMI 64Mb SPI Flash	
	Technology	Dual Channel DDR3L 1333/1066 MHz (Non ECC)	
	Max. Capacity	8 GB (4 GB per SO-DIMM)	
Graphics	Socket	2 x 204-pin SODIMM	
	Chipset Integrated	Integrated Intel HD Graphics	
Expansion slot	mini PCIe	1, full size	
Ethernet	Interface	10/100/1000 Mbps	
	Controller	2 x Realtek 8119I	
Drive bay	2.5" HDD (internal)	1	
	mSATA	1	
I/O Interface	Display	VGA , HDMI	
	USB	7 USB 2.0, 1 USB 3.0	
	Serial	1 RS-232/422/485, 5 RS-232	
	PS/2	1, KB/MS	
	Audio	Line in, Line out with 6W amplifier	
	DC jack	1, Phoenix 2 pin	
Power Supply	Connector Type	Phoenix 2 pin connector	
	Input Voltage	DC 12V	
	Power consumption	Typical: 8.27W Max: 16.39W	
Miscellaneous	LED Indicators	HDD	
	Control	Power on/off switch	
Environment	Temperature	Operating	Non-operating
		-20 ~ 60° C (mSATA); 0 ~ 40° C (HDD)	-40 ~ 85° C
	Humidity	95% @ 40° C, non-condensing	95% @ 60° C, non-condensing
	Vibration	1Grms, random, 5~500Hz, 3 axes, 1 hr/axis (HDD)	2G, sine, 5~500Hz, 3 axes, 1 hr/axis (HDD)
		3Grms, random, 5~500Hz, 3 axes, 1hr/axis (mSATA)	
	Shock	10G, half sine wave, 11 ms duration (HDD)	
		30G, half-sine wave, 11ms duration (mSATA)	
EMC	CE/FCC, CCC, BSMI		
Safety	CCC, UL, BSMI		
Physical Characteristics	Dimension (W x H x D)	200 x 69 x 200 mm	
	Weight	1.8 kg (3.97 lbs)	

Dimensions

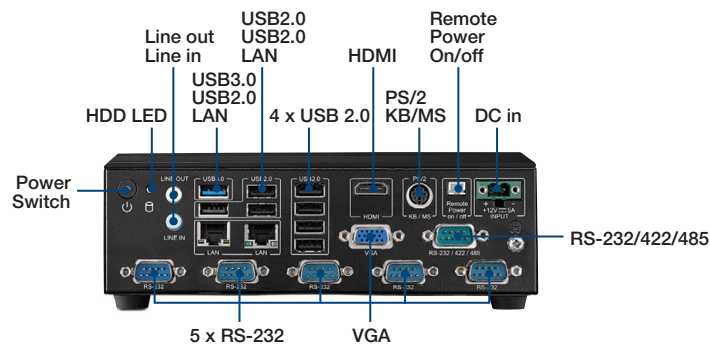
Unit: mm [inch]



Installation



Front View



Ordering Information

Part No.	CPU	VGA	HDMI	SO-DIMM	USB 3.0/2.0	GbE	COM	Mini PCIe
AIMC-2000J-00A2	J1900	1	1	2	1/7	2	1 x RS-232/422/485 5 x RS-232	1 x full size

Optional Accessories

Part Number	Description
96PSA-A60W12P2-3	Apater A/D 100-240V 60W 12V TERMINAL BLOCK 2PIN

Embedded OS

Part Number	Description
2070014040	WES7P x64 10MUI
2070014102	WES7P x86 10MUI
2070014988	WES7E x64 4MUI
20706WX6ES0010	WIN10 16EL x64 1709 ENG
2070014613	Ubuntu 12.04