

# AIIS-3400P (PoE) AIIS-3400U (USB 3.0)

Compact Vision System, Intel® 6th/7th Gen Core i CPU, 4-CH Camera Interface for GigE PoE or USB 3.0



## Features

- Intel 6th/7th generation Core i CPU (LGA1151)
- AIIS-3400P: 4-CH GbE PoE (Power over Ethernet)
  - Powered device auto detection and classification
  - IEEE 802.3af compliant, supports IEEE 1588
  - Compatible with GigE cameras
- AIIS-3400U: 4-CH USB 3.0 with dedicated controller
  - Maximize the USB3.0 bandwidth for multi-cameras
  - Compatible with USB 3.0 cameras
- Compact & thoughtful design
  - Volume less than 3 Liter
  - Isolated Digital I/O
  - Internal USB 2.0 connector



## Specifications

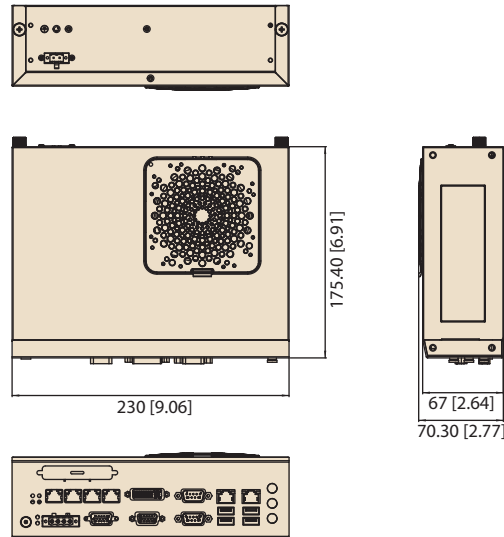
		6th generation CPU				7th generation Core i CPU			
Processor System	CPU	i7-6700	i5-6500	i3-6100	G4400	G3900	i7-7700	i5-7500	i3-7101E
	Core	4	4	2	2	2	4	4	2
	Base Frequency	3.4 GHz	3.2 GHz	3.7 GHz	3.3 GHz	2.8 GHz	3.6GHz	3.5GHz	3.9GHz
	L3 Cache	8 MB	6 MB	4 MB	3 MB	2 MB	8MB	6MB	3MB
	Chipset	H110							
BIOS	AMI 128Mb SPI Flash								
Memory	Technology	Dual Channel DDR4 1866/2133 MHz (non-ECC)							
	Max. Capacity	32 GB (16 GB per DIMM)							
	Socket	260-pin SO-DIMM							
Graphics	Chipset Integrated	Integrated Intel HD Graphics							
Ethernet	Interface	10/100/1000 Mbps							
	Controller	LAN1: Intel i219V, LAN2: Intel i210AT (Both support Wake on LAN)							
Camera Interface PoE (AIIS-3400P)	Controller	CH1 ~ CH4: Intel i210AT							
	Compliant	IEEE 802.3af							
	Power Output	15W per channel / 30W for 1 & 2 channel							
Camera Interface USB 3.0 (AIIS-3400U)	Controller	CH1 ~ CH4: µPD720202							
	Compliant	USB 3.0							
	Power Output	4.5W per Channel							
Storage	Internal 2.5" HDD Bay	1 (max. 9.5 mm height)							
	CFast	1							
Front I/O	Display	VGA + DVI-D							
	USB	4 USB3.0							
	Serial	2 (RS-232/422/485, via BIOS setting ; RS-485 support auto-flow control)							
	Isolated DIO (Default)	4 DI and 4 DO Channels AIIS-E730-AE (16-CH DI, 16-CH DO) High output driving capacity (500 mA max./channel)							
	Isolated DIO (Optional)	Interrupt capable for all 16 DI channel Supports 3-30 V <sub>DC</sub> isolated input channel Dry/Wet contact support High-voltage isolation on output channels (2,500 V <sub>DC</sub> )							
Internal Connector	USB	1 USB 2.0 connector							
Watchdog Timer	Output	System reset							
	Interval	Programmable 1 ~ 255 sec/min							
Power Requirement	Power Type	ATX/AT							
	Power Input Voltage	19 V <sub>DC</sub> ~ 24 V <sub>DC</sub> (± 10%)							
	Minimum Power Input	DC 19-24V @ 8-6.3A							
	Power Adapter	AC to DC, DC24V/9.16A, 220W (Optional)							
Cooling	System Fan	1 (6cm / 27.7 CFM)							
Miscellaneous	LED Indicators	Power, HDD, temperature							
	Control	Power on/off switch							
Environment	Temperature	Operating 0 ~ 45 °C (32 ~ 113 °F)*				Non-operating -40 ~ 70 °C (-40 ~ 158 °F)			
	Humidity	10 ~ 95% @ 40 °C, non-condensing							
	Vibration	0.5Grms, random, 5-500Hz, 3 axes, 1 hr/axis				2G, sine wave, 5-500Hz, 3 axes, 1 hr/axis			
	Shock	10G, half sine wave, 11 ms duration							
Physical Characteristics	Dimension (W x H x D)	230 x 70 x 175 mm (9.06" x 2.76" x 6.89")							
	Weight	1.8 kg (3.97 lb) (w/o CPU cooler)							

\* Depends on CPU

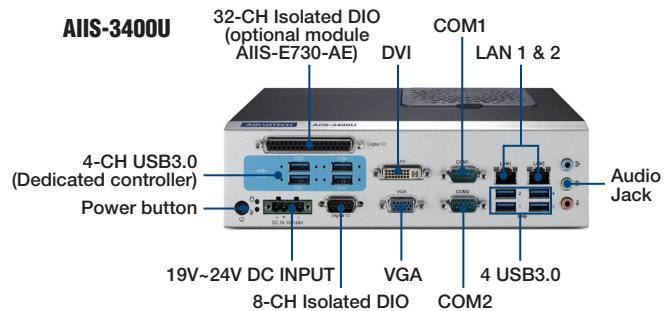
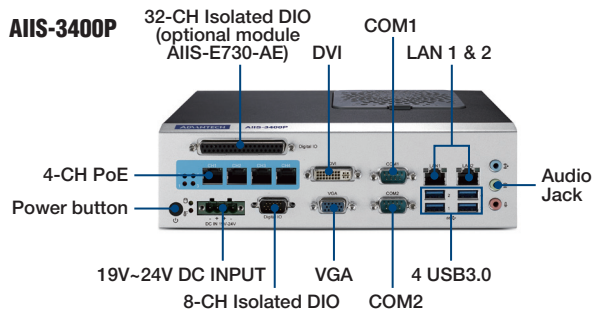
# AIIS-3400P (PoE) AIIS-3400U (USB 3.0)

## Dimensions

Unit: mm [inch]



## Front View



## Ordering Information

Part Number	Camera Interface	Display	USB 3.0	Isolated DIO	COM 232/422/485
AIIS-3400P-00B1	4-CH GigE PoE	VGA+DVI-D	4	8-CH	2
AIIS-3400U-00B1	4-CH USB 3.0	VGA+DVI-D	4	8-CH	2

## Packing List

Items	Part Number	Quantity
Bare System	AIIS-3400	1
Startup manual (EN/CN)	2001340000	1
Startup manual (TC)	2001340010	1
Driver CD	2061340011	1
Wallmount Bracket	1960014487T006	2
Rubber Foot	199006571S000	4
CPU Cooler	1960060620N001	1
4-pin Phoenix DC power connector	1652003234	1
2-pin Phoenix DC power connector	1652002205	1

## Optional Accessories

Part Number	Description
98R2124000E	DIN-Rail Bracket
96PSA-A230W24P4-3	ADP A/D 100-240V 230W 24V TB 4P
96PSD-A240W24-MN	DIN RAIL Adapter A/D 100-240V 240W 24V
1702002600	Power cord 3-pin UL/CSA (USA) 125 V 10A 1.83 M
1700022940-01	Power cord PSE 7A 125 V 3P 3 m DAC-ST01
1702002605	Power cord 2P (France) 10A/16A 220 V 1.83 M 90D
1700023217-01	8-CH DIO Cable for Wiring Board
ADAM-3925-AE	8-CH DIO DB-25 Wiring Terminal, DIN-rail Mount
AIIS-E730-AE	Isolated DIO module, 32-CH, MIO with PCIe1 interface
PCL-10137-1E	32-CH DIO Cable 1M for Wiring Terminal
ADAM-3937-BE	32-CH DIO DB-37 Wiring Terminal, DIN-rail Mount
1700037020-11	M Cable D-SUB 37P(M)/D-SUB 37P(M) 100CM
1700031170-01	4-PIN DC to DC Power cable, DIN Rail Adapter, 150cm
1700029720-01	Power Cord (USA), 3 Pin, DIN Rail Adapter, 183cm
1700030520-01	Power Cord (CN), 3 Pin, DIN Rail Adapter, 150cm
AIIS-1750-AE	32-ch Isolated Digital I/O Card

## Embedded OS

Part Number	Description
2070014568	WES7P x64 v5.8.0 10MUI
2070014715	WIN 10 16HL x64 1609 10MUI
2070014716	WIN 10 16VL x64 1609 10MUI

\*7th generation CPU only supports Win10 OS

Note: If there is no 19~24V<sub>DC</sub> source in your facility, this adapter is required to power on the system

# Tento produkt můžete zakoupit u společnosti AutoCont IPC a.s.



## AutoCont IPC a.s.

Váš dodavatel průmyslových počítačů, komponent a speciálních průmyslových IT systémů.

 Uhlířská 1064/3, 710 00 Ostrava, Česká republika

 obchod@autocont-ipc.cz

 +420 552 301 002

 [www.autocont-ipc.cz](http://www.autocont-ipc.cz)



### PRŮMYSLOVÉ POČÍTAČE

*fanless embedded PC, do racku, ...*



### POČÍTAČE S DISPLEJEM

*panelové PC, terminály, do vozidel, ...*



### AUTOMATIZACE A SBĚR DAT

*převodníky, karty, moduly, switche, ...*



### PERIFERIE A KOMPONENTY

*monitory, klávesnice, desky, skříně, ...*



### NOTEBOOKY A TABLETY

*odolné, windows, android, IP65, ...*



### INFORMAČNÍ KIOSKY

*interiérové, venkovní, ...*



### MEDICÍNSKÁ TECHNIKA

*počítače, tablety, LCD, klávesnice, ...*



### SOFTWAREVÁ ŘEŠENÍ

*pro výrobu, zaměstnance, kiosky, ...*



### PŘEJÍT DO E-SHOPU

[eshop.autocont-ipc.cz](http://eshop.autocont-ipc.cz)



### DOPRAVA ZDARMA

Doprava zdarma v ČR a SR při objednávce nad 10 000 Kč bez DPH nebo nad 400 EUR.



### PRODLOUŽENÁ ZÁRUKA

Záruka 2 roky na vyráběné počítače s možností jejího prodloužení až na 5 let.



### ODMĚNA ZA VĚRNOST

Pravidelní zákazníci u nás nakupují za nižší ceny. Výše slevy se odvíjí od realizovaného obrátu.



### SERVIS ON-SITE A IN-TIME

K projektovým dodávkám nabízíme rozšířenou podporu a servis s garancí výměny zařízení do 48 hodin.