

# TREK-773

## 7" All-in-One Ultra Rugged Mobile Data Terminal



### Features

- Intel® Atom™ E3827 SoC compatible with Windows 10 and Ubuntu OS
- 7" WVGA wide-angle LCD with resistive touch control
- Vehicle diagnostics interface with CAN (J1939, OBD-II/ISO 15765) and J1708 (J1587) protocols
- Built-in NFC, GNSS, WLAN, Bluetooth, and LTE WWAN modules
- Intelligent vehicle power management system supports ignition on/off/delay functions, wake-up event control, and system monitoring and diagnostics
- Wide operating temperature range (-30 ~ 60 °C/-22 ~ 140 °F)
- Supports 12/24 V vehicle power (ISO 7637-2)
- MIL-STD-810G and 5M3-certified for shock and vibration tolerance

### Introduction

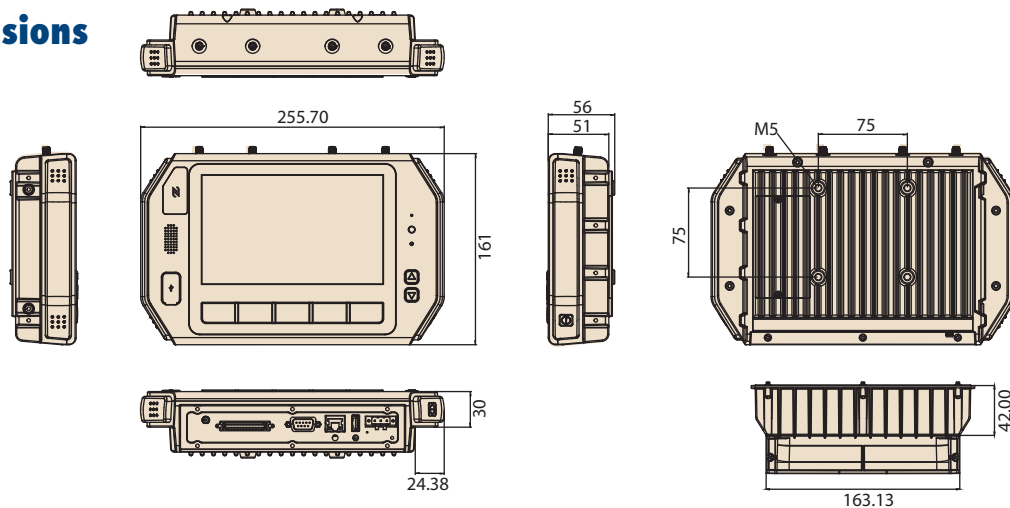
TREK-773 is a next-generation, all-in-one, 7" mobile data terminal. Equipped with an Intel® Atom™ E3827 SoC, TREK-773 offers high-performance computing with a wired connection via Gigabit Ethernet, CAN2.0B (J1939, OBD-II/ISO 15765), and J1708 (J1587). The integrated LTE (backwards compatible with CDMA/HSDPA), GPS, WLAN, and Bluetooth communication interfaces ensure connectivity and real-time data transmissions. Aimed at the automotive market, TREK-773 is compatible with 12/24 V vehicle power and compliant with ISO 7637-2 and SAE J1113 standards to ensure stable operation during engine starts. With the added provision of a ruggedized chassis, wide operating temperature range (-30 ~ 60 °C/-22 ~ 140 °F), and shock (100G, 6ms) and vibration tolerance, TREK-773 provides the ideal terminal for industrial applications in harsh environments.

### Specifications

Core	Processor	Intel® Atom™ E3827 dual-core, 1.75 GHz
	Memory	1 x SODIMM socket Up to 8 GB DDR3L 1066/1333 non-ECC memory (4 GB default for full configuration)
	Graphics	Integrated 2D/3D graphics engine
	Operating System	Windows 10 IoT Enterprise 2019 LTSC (64 bit) default, with Ubuntu 18.04 LTSB (64 bit) available upon request
Storage	CFast	1 x externally accessible CFast slot with cover and boot up support (32 GB default for full configuration)
	SD Card	1 x externally accessible push-push-type SD slot with cover for convenient expansion
Display	Type	7" automotive-grade TFT LCD
	Resolution	WVGA (800 x 480)
	Brightness (cd/m <sup>2</sup> )	1000 nits (typical)
	Viewing Angle (H/V)	170°/170°
	Contrast Ratio	1000:1 (typical)
	Backlight Type	LED
Touchscreen	Backlight Life (Hrs)	30K
	Type	4-wire analog resistive touchscreen with 3H surface hardness and IK06 (510 g steel ball drop @300 mm) support (Optional sunlight readable touchscreen available upon request)
	Transparency	84% ±3%
Sensor	Sensor	Light sensor, G-sensor
Expansion	Edge AI	1 x full-size mini-PCIe slot reserved for Advantech VEGA-330 Edge AI module
I/O	Function Keys	5 x programmable function keys with green LED indicators
	Standard I/O	1 x SIM card slot (left)
		1 x High-speed full RS-232 (rear) (RS232 RI pin can be configured to 12 V <sub>DC</sub> output)
		1 x USB 3.0 host Type A (rear)
	Extended I/O <sup>2</sup>	1 x Giga LAN with RJ45 connector (rear)
		1 x Mic-In/1 x stereo Line-In/1 x stereo Line-Out
1 x CVBS input, 1 x USB 2.0 host		
Miscellaneous	1 x High-speed full RS-232, 1 x RS-485 with auto flow control	
	4 x Isolated DI (dry contact), 4 x isolated DO (open collector output, driven by replay)	
	1 x CAN bus (supports raw CAN, J1939, OBD-II/ISO 15765)	
	1 x J1708 (supports J1587)	
	1 x 12 V <sub>DC</sub> /1.5A continuous current output (shared with standard I/O full RS-232 DB9)	
RF	Power Button/LED Indicators	1 x Power button; 1 x Power LED indicator (yellow)
	WLAN + Bluetooth	IEEE 802.11a/b/g/n/ac + Bluetooth V5.0 combo module via full-size mini-PCIe slot
	WWAN	1 x Sierra Wireless WP76xx via full-size mini PCIe slot for 4G (LTE Cat-4, HSPA+, GSM/GPRS/EDGE, EV-DO Rev a1, 1xRTT)
	GNSS	Built-in u-blox MAX-M8Q GPS/GLONASS/BeiDou module and A-GPS support
	Antenna	1 x GPS, 2 x WWAN (LTE), 2 x WLAN/Bluetooth
Power	NFC	ISO/IEC 14443A, 14443B, 15693; MIFARE 1K/4K, Ultralight; NFC-IP2 protocol
	Input Voltage	12/24 V <sub>DC</sub> vehicle power (ISO 7637-2 and SAE J1113 compliant)
Mechanical	Intelligent Vehicle Power Management (IVPM 2.0)	System power on/off management (e.g., programmable ignition on/off/delay), system monitoring and diagnostics, system power protection (vehicle battery low voltage protection), and wake-on-alarm (RTC), wake-on-call/SMS, and wake-on-G-sensor events
	Dimensions (W x H x D)	255.7 x 161 x 56 mm/10.06 x 6.33 x 2.20 in
	Weight	2.2 kg/4.8 lb

## Dimensions

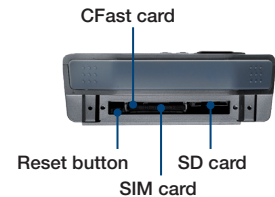
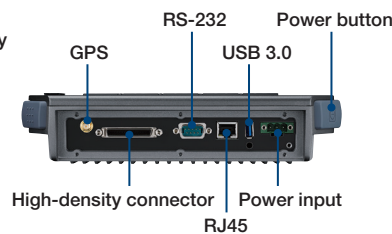
Unit: mm



## Specifications Cont.

Environment	IP Rating	IP54 (excluding I/O); optional IP54 protection for entire system with additional I/O cover
	Vibration/Shock	MIL-STD-810G, EN60721-3(5M3)
	EMC/Safety	CE, FCC, CCC; UL/cUL, CB
	Vehicle Regulation	E-mark (E13) for 12/24 V system, SAE J1455 class C, ISO 7637-2, SAE J1113
	Railway	EN50155 (available upon request)
	RF Regulation	CE (R&TTE), FCC ID
	Operating Temperature	-30 ~ 60 °C/-22 ~ 140 °F
	Storage Temperature	-40 ~ 80 °C/-40 ~ 176 °F

## I/O Connectors



## Ordering Information

Part Number	Description
TREK-773R-00A1E	TREK-773R w/GPS/NFC barebones unit*
TREK-773R-LWBXA1E	TREK-773R w/LTE(EU)/GPS/WLAN/BT/NFC/CFast/W10
TREK-773R-LWBXB1E	TREK-773R w/LTE(US)/GPS/WLAN/BT/NFC/CFast/W10

\* The barebones does not include RAM or CFast.  
Note: TREK-773 can be equipped with the Linux OS upon request.

## Packing List

Part Number	Description	QTY
1700019031*	12/24V 2M power cable	1
1750007909-01	Outdoor dipole Wi-Fi antennas	2
1750007924-01*	Outdoor LTE/GPS combo antenna, 3M	1
1750007926-01	Outdoor LTE antenna, 3M	1
1990018848T000	USB/LAN cable clips	2

\* Included in TREK-773 barebone unit

## Optional Items

Part Number	Description
1700020128	12/24V <sub>dc</sub> power cable, 5M
1700019307	High-density cable (MDR 50P/BNC + 3 x audio jack + USB-A + D-sub, 9P)
RAM-MOUNT-01	VESA RAM mount w/clamp base, 1.5" ball
RAM-MOUNT-06E	VESA RAM mount w/VESA base, 1.5" ball
9668TREK35E	AC/DC power kit
9668TREK37E	IP54-rated I/O cover

## TREK-773 CTOS KIT

Part Number	Description
98R8T77304E	TREK-773 WLAN kit (802.11a/b/g/n/ac BT combo) with antenna
98R8T77305E	TREK-773 LTE module kit for US (WP7610) with antenna
98R8T77306E	TREK-773 LTE module kit for EU (WP7607) with antenna

## Embedded OS

Part Number	Description
20708WX9ES0016	Image Win 10 LTSC-9 (Atom) TREK-773 V1.00 3MUI x64

# Tento produkt můžete zakoupit u společnosti AutoCont IPC a.s.



## AutoCont IPC a.s.

Váš dodavatel průmyslových počítačů, komponent a speciálních průmyslových IT systémů.

 Uhlířská 1064/3, 710 00 Ostrava, Česká republika

 obchod@autocont-ipc.cz

 +420 552 301 002

 [www.autocont-ipc.cz](http://www.autocont-ipc.cz)



### PRŮMYSLOVÉ POČÍTAČE

*fanless embedded PC, do racku, ...*



### POČÍTAČE S DISPLEJEM

*panelové PC, terminály, do vozidel, ...*



### AUTOMATIZACE A SBĚR DAT

*převodníky, karty, moduly, switche, ...*



### PERIFERIE A KOMPONENTY

*monitory, klávesnice, desky, skříně, ...*



### NOTEBOOKY A TABLETY

*odolné, windows, android, IP65, ...*



### INFORMAČNÍ KIOSKY

*interiérové, venkovní, ...*



### MEDICÍNSKÁ TECHNIKA

*počítače, tablety, LCD, klávesnice, ...*



### SOFTWAREVÁ ŘEŠENÍ

*pro výrobu, zaměstnance, kiosky, ...*



### PŘEJÍT DO E-SHOPU

[eshop.autocont-ipc.cz](http://eshop.autocont-ipc.cz)



### DOPRAVA ZDARMA

Doprava zdarma v ČR a SR při objednávce nad 10 000 Kč bez DPH nebo nad 400 EUR.



### PRODLOUŽENÁ ZÁRUKA

Záruka 2 roky na vyráběné počítače s možností jejího prodloužení až na 5 let.



### ODMĚNA ZA VĚRNOST

Pravidelní zákazníci u nás nakupují za nižší ceny. Výše slevy se odvíjí od realizovaného obrátu.



### SERVIS ON-SITE A IN-TIME

K projektovým dodávkám nabízíme rozšířenou podporu a servis s garancí výměny zařízení do 48 hodin.