

PPC-324W-P7

23.8" Fanless Panel PC with Intel® Core™ i Processor



Features

- Industrial-grade 23.8" LCD panel with 30k backlight lifetime
- True-flat touchscreen with multi-touch projected capacitive control
- High-performance, fanless 7th generation Intel® Core™ i processor
- Up to 16 GB DDR4 SDRAM
- Compact, fanless design with aluminum alloy enclosure
- IP65-rated front panel
- Supports dual displays (1 x external HDMI)
- Supports full-size mini PCIe expansion
- Supports USB 3.0
- Supports VESA 100
- Supports TPM 2.0 (optional)



Introduction

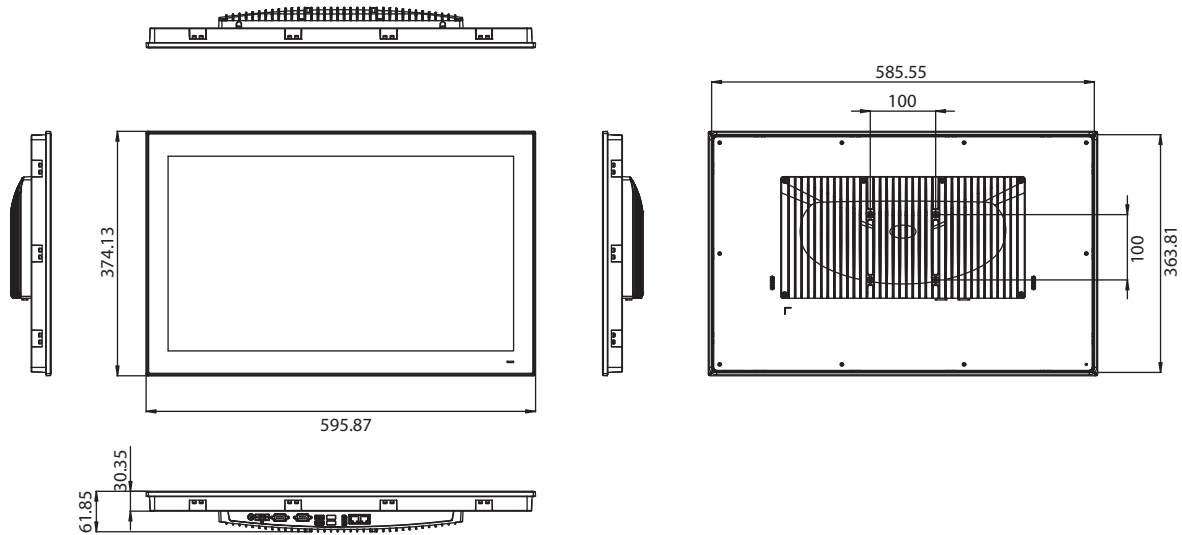
The PPC-324W-P7 is an all-in-one light panel PC with a wide format 23.8" industrial-grade LCD. Powered by 7th generation Intel® Core™ i processor, PPC-324W-P7 provides excellent performance, memory, graphics, and peripheral I/O support in a compact, fanless, embedded system. With a high durability design, PPC-324W-P7 features a true-flat touchscreen with IP65-rated front panel, and die cast aluminum alloy enclosure, making it ideal for diverse applications.

Specifications

System	CPU	i3-7100U	i5-7300U	i7-7600U (Optional)
	Cores	Dual Core	Dual Core	Dual Core
	Frequency	2.4 GHz	2.6 GHz; 3.5 GHz with turbo boost	2.8 GHz; 3.9 GHz with turbo boost
	L3 Cache	3 MB	3 MB	4 MB
	TDP	15W	15W	15W
	Memory	1 x SODIMM DDR4 1866/2133 MHz (max. 16 GB) (1.2 V)		
	Storage	1 x 2.5" SATA bay 1 x mSATA bay		
	Network (LAN)	2 x 10/100/1000 Mbps Ethernet (Intel I211-AT; Intel I219LM)		
	I/O	2 x Serial ports: 1 x RS-232, 1 x RS-232/422/485 (Adjustable through BIOS) 2 x USB 3.0, 2 x USB 2.0 1 x HDMI 1 x TPM 2.0 internal (optional)		
	Speaker	2 x 1W		
Expansion	1 x Full-size mini PCIe slot			
Watchdog Timer	255 timer levels, set up by software			
Physical Characteristics	Dimensions	595.9 x 374.1 x 61.5 mm (23.5" x 14.7" x 2.4")		
	Weight	8.6kg (18.96lb)		
OS Support	OS Support	Microsoft® Windows 10(64-bit), Windows 10 IOT LTSC, Linux		
Power Consumption	Input Voltage	12 ~ 24 V _{DC}		
	Power Consumption	80W		
LCD	Display Type	23.8" TFT LCD (LED backlight)		
	Resolution	1920 x 1080		
	Viewing Angle	89(left), 89(right), 89(up), 89(down)		
	Luminance (cd/m ²)	350		
	Contrast Ratio	1000		
	Backlight Lifetime	30,000 hr		
Touchscreen	Touch Type	10-point multi-touch projected capacitive		
	Light Transmission	≥85%		
	Controller	USB interface		
Environment	Operating Temperature	0 ~ 50 °C (32 ~ 122 °F) for SSD 0 ~ 45 °C (32 ~ 113 °F) for HDD		
	Storage Temperature	-20 ~ 60 °C (-4 ~ 140 °F)		
	Relative Humidity	10 ~ 95% @ 40 °C (non-condensing)		
	Shock	Operating 10 G peak acceleration (11 ms duration), follow IEC 60068-2-27		
	Vibration	Operating Random Vibration Test 5 ~ 500Hz, 1Grms @with HDD; 2Grms @with SSD, follow IEC 60068-2-64		
	EMC	CE, FCC Class B, BSMI, EN60601-1-2		
	Safety	CB, CCC, UL		
	Front Panel Protection	IP65 compliant		

Dimensions

Unit: mm

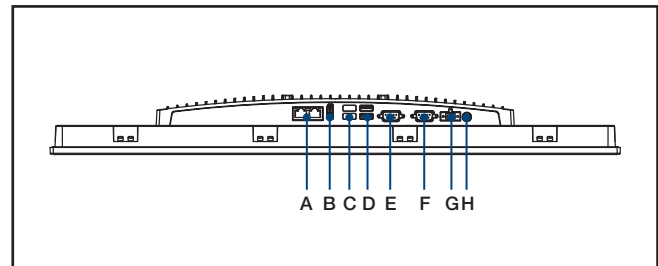


Panel Cutout Dimensions: 586.5 x 364.8 mm (23.09 x 14.36 in)

Ordering Information

Part Number	Description
PPC-324W-P750A	Intel Core i5-7300U Fanless Panel PC with 23.8" Full HD LED backlight, assembled in China
PPC-324W-P750AO	Intel Core i5-7300U Fanless Panel PC with 23.8" Full HD LED backlight, without audio function, assembled in China
PPC-324W-P750AU	Intel Core i5-7300U Fanless Panel PC with 23.8" Full HD LED backlight, assembled in Taiwan
PPC-324W-P730A	Intel Core i3-7100U Fanless Panel PC with 23.8" Full HD LED backlight, assembled in China
96PSA-A150W19P2-3	ADP A/D 100-240V 150W 19V C14 TERMINAL BLOCK 2P
PPC-WLAN-C1E	M.2 Wi-Fi Module with Antenna cable support 2T2R
PPC-ARM-A03	ARM VESA Standard (A-CLEVER) for PPC series
PPC-174T-WL-MTE	Wall mount kit for PPC series
PPC-Stand-A1E	Stand for PPC series
1702002600	Power Cable UL/CSA (USA) 180D 125V10A 1.83M
1702002605	Power Cable 90D 220V EUROPEAN 250V/6A 1.8M
96CB-POWER-B-1.8MA	POWER CORD for China 1.8M
98R3P315100	TPM 2.0 module

I/O View



- A. 2 x LAN
- B. HDMI
- C. 2 x USB 3.0
- D. 2 x USB 2.0
- E. COM2: RS-232/422/485
- F. COM1: RS-232
- G. DC-In
- H. Power Button

Please note: If some optional modules are offered with the system, additional system certificates may be required in certain regions/countries. Please contact Advantech for certificate compliance.

Tento produkt můžete zakoupit u společnosti AutoCont IPC a.s.



AutoCont IPC a.s.

Váš dodavatel průmyslových počítačů, komponent a speciálních průmyslových IT systémů.

 Uhlířská 1064/3, 710 00 Ostrava, Česká republika

 obchod@autocont-ipc.cz

 +420 552 301 002

 www.autocont-ipc.cz



PRŮMYSLOVÉ POČÍTAČE

fanless embedded PC, do racku, ...



POČÍTAČE S DISPLEJEM

panelové PC, terminály, do vozidel, ...



AUTOMATIZACE A SBĚR DAT

převodníky, karty, moduly, switche, ...



PERIFERIE A KOMPONENTY

monitory, klávesnice, desky, skříně, ...



NOTEBOOKY A TABLETY

odolné, windows, android, IP65, ...



INFORMAČNÍ KIOSKY

interiérové, venkovní, ...



MEDICÍNSKÁ TECHNIKA

počítače, tablety, LCD, klávesnice, ...



SOFTWAREVÁ ŘEŠENÍ

pro výrobu, zaměstnance, kiosky, ...



PŘEJÍT DO E-SHOPU

eshop.autocont-ipc.cz



DOPRAVA ZDARMA

Doprava zdarma v ČR a SR při objednávce nad 10 000 Kč bez DPH nebo nad 400 EUR.



PRODLOUŽENÁ ZÁRUKA

Záruka 2 roky na vyráběné počítače s možností jejího prodloužení až na 5 let.



ODMĚNA ZA VĚRNOST

Pravidelní zákazníci u nás nakupují za nižší ceny. Výše slevy se odvíjí od realizovaného obrátu.



SERVIS ON-SITE A IN-TIME

K projektovým dodávkám nabízíme rozšířenou podporu a servis s garancí výměny zařízení do 48 hodin.