

IMC-790

Slide-In Modular Media Converter 10Gbps SFP+ and XFP Fiber Series



Features

- Interchangeable SFP+ and XFP modules that allow for multiple fiber mode/type conversion options
- Supports SNMP when installed in a compatible managed chassis
- Supports a wide range of SFP+ modules
- Supports hot-swappable functionality
- Supports configuration control functionality
- The user selectable FX LinkLoss feature enables the operator to identify a cable fault failure when the unit is not installed in a managed chassis

Introduction

The IMC-790-2SFP is a single-wide SNMP manageable module. The IMC-790-2XFP is a dual-wide SNMP manageable module. They both allow network operators to convert an array of fiber types within a network and can be installed in the modular SNMP-manageable iMediaChassis IMC-79x series and in the unmanaged MediaChassis IMC-71x series.

The IMC-790-2SFP uses a 10Gbps SFP+ module while the IMC-790-2XFP uses a 10Gbps XFP module. Both series are capable of moving large amounts of data over long distances for different applications. The hot-swappable nature of SFP+ and XFP, and the numerous 10G protocols and types that are available all allow for easy configuration and future upgrading as network demands evolve.

The protocol-independent with dual SFP+ ports provide a single conversion between single-mode to multi-mode fiber, single-mode to single-mode fiber, or single-strand to single-mode fiber. The IMC-790-2XFP is protocol-independent with dual XFP ports that can provide a single conversion between copper, different wavelengths, or single-mode and multi-mode fiber, single-mode to single-mode fiber, or multi-mode to single-strand single-mode fiber.

The media converters can be easily configured and managed with the GUI-based iView² software. As an SNMP management application, iView² gives network managers the ability to monitor and control IMC series products. When iView² runs as a web server version, it is free and available for download from the website.

Specifications

Technical
2 x SFP+ ports (IMC-790-2SFP)
2 x XFP ports (IMC-790-2XFP)
Converts between dissimilar fiber modes and wavelengths
Includes diagnostic LEDs
Hot-swappable architecture
Modular form factor
SFP-MSA standard (IMC-790-2SFP)
SFF-8472 DDMI standard (IMC-790-2XFP)
Supports Jumbo Frames up to 10,000 bytes

Environment	
Operating Temperature	-20 to +70 °C (-4 to +158 °F)
Storage Temperature	-40 to +85 °C (-40 to +185 °F)
Operating Humidity	5 ~ 95% (non-condensing)
	0 ~ 10,000 ft. altitude
Mechanical	
Dimensions (H x W x D)	4.19 x 0.78 x 2.75 inch (IMC-790-2SFP)
	4.19 x 1.56 x 2.75 inch (IMC-790-2XFP)
Weight	0.11 kg (0.3 lb)
Certifications	
CE, UL/cUL	
FCC Class A	

* Simple Network Management Protocol-based element management software. To configure, update, manage and monitor from a central location.

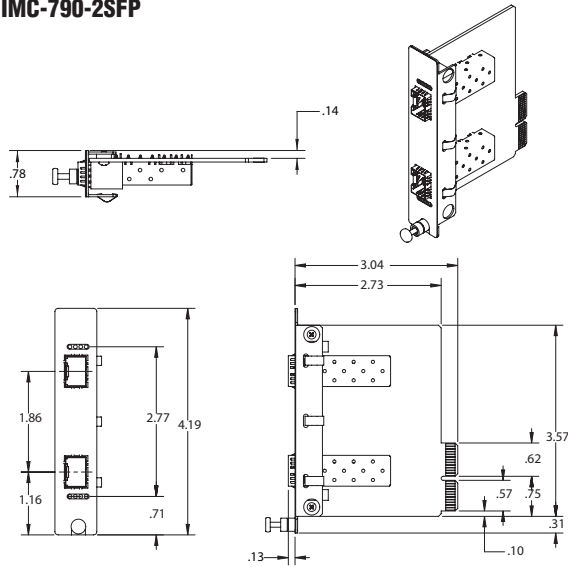


iView2: Webserver version, available for download from website.

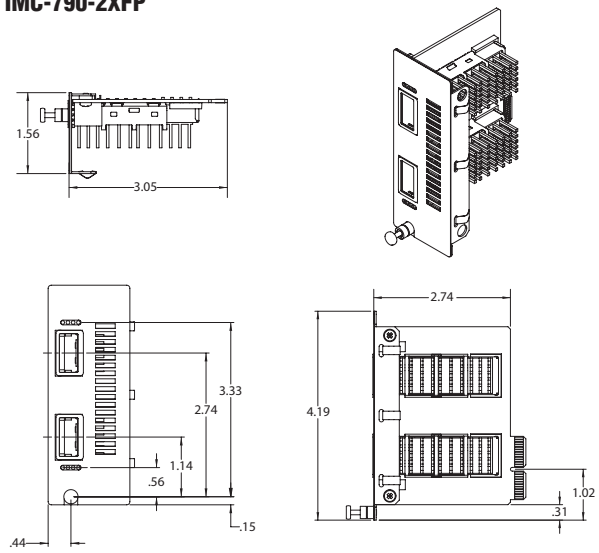
Dimensions

Unit: inch

IMC-790-2SFP



IMC-790-2XFP



Ordering Information

Part Number	Also Known As	Optical Mode	Distance	Optical Connector
IMC-790-2SFP	860-12102	Various	Various	2 x SFP+
IMC-790-2XFP	860-12100	Various	Various	2 x XFP

* SFP fibers sold separately – available at www.advantech.com

Tento produkt můžete zakoupit u společnosti AutoCont IPC a.s.



AutoCont IPC a.s.

Váš dodavatel průmyslových počítačů, komponent a speciálních průmyslových IT systémů.

 Uhlířská 1064/3, 710 00 Ostrava, Česká republika

 obchod@autocont-ipc.cz

 +420 552 301 002

 www.autocont-ipc.cz



PRŮMYSLOVÉ POČÍTAČE

fanless embedded PC, do racku, ...



POČÍTAČE S DISPLEJEM

panelové PC, terminály, do vozidel, ...



AUTOMATIZACE A SBĚR DAT

převodníky, karty, moduly, switche, ...



PERIFERIE A KOMPONENTY

monitory, klávesnice, desky, skříně, ...



NOTEBOOKY A TABLETY

odolné, windows, android, IP65, ...



INFORMAČNÍ KIOSKY

interiérové, venkovní, ...



MEDICÍNSKÁ TECHNIKA

počítače, tablety, LCD, klávesnice, ...



SOFTWAREVÁ ŘEŠENÍ

pro výrobu, zaměstnance, kiosky, ...



PŘEJÍT DO E-SHOPU

eshop.autocont-ipc.cz



DOPRAVA ZDARMA

Doprava zdarma v ČR a SR při objednávce nad 10 000 Kč bez DPH nebo nad 400 EUR.



PRODLOUŽENÁ ZÁRUKA

Záruka 2 roky na vyráběné počítače s možností jejího prodloužení až na 5 let.



ODMĚNA ZA VĚRNOST

Pravidelní zákazníci u nás nakupují za nižší ceny. Výše slevy se odvíjí od realizovaného obrátu.



SERVIS ON-SITE A IN-TIME

K projektovým dodávkám nabízíme rozšířenou podporu a servis s garancí výměny zařízení do 48 hodin.