

IMC-760

Slide-In Modular Media Converter 10/100Mbps to Fiber Series



Features

- SNMP manageable
- OAM IEEE802.3ag/ah (operation, administration, and management)
- Supports per-port, bi-directional bandwidth control
- Supports powerful LinkLoss, FiberAlert and Loopback troubleshooting functions
- All management traffic remains isolated from the remote LAN
- The modular, hot-swappable architecture reduces operational costs associated with product installation, upgrades, and maintenance

Introduction

The IMC-760 series of intelligent media converters connect a host/remote Ethernet network over a fiber optic or CAT5 copper connection. It combines media conversion with an advanced-feature set for network management and troubleshooting, including OAM (operation, administration, and management). Administrators can observe the end-points over the fiber segment between them as a single management entity. Bandwidth scalability and support for MIBs II makes this modular device a cost-effective solution.

The SNMP software, iView², allows for remote configuration and alerts administrators to any potential problems on the long-haul fiber run, providing vital information on link conditions and reporting data on traffic statistics. With iView², the central location can manage all host/remote pairs installed in the IMC-71x series with the single IP address of the chassis.

Specifications

Technical	
IEEE 802.3	
IEEE 802.3u	
Bi-directional bandwidth control	
802.3ag/ah OAM (Operation, Administration & Management)	
Y.1731	
Read/Write IEEE 802.1Q VLAN-tags	
AutoCross for MDI/MDIX	
Includes Hot-swappable Architecture	
Management	
SNMP V1 and V2c compatible	
GUI-based iView ² software for remote management and upgrades	
IEEE 802.3x flow control	
Supports DHCP and TFTP clients	
Supports loopback test modes (MAC swap)	
Supports LinkLoss, FiberAlert and Link Fault Pass Through	

Environment	
Operating Temperature	0 to +50 °C (+32 to +122 °F)
Storage Temperature	-25 to +70 °C (-13 to +158 °F)
Operating Humidity	5 ~ 95% (non-condensing)
	0 ~ 10,000 ft. altitude
MTBF	1.6 million hours
Mechanical	
Dimensions (H x W x D)	10.74 x 2.0 x 7.05 cm (4.19 x 0.78 x 2.75 in)
Weight	0.11 kg (0.30 lbs)
Certifications	
FCC Class A, CE, CSA, CB	
UL/cUL	

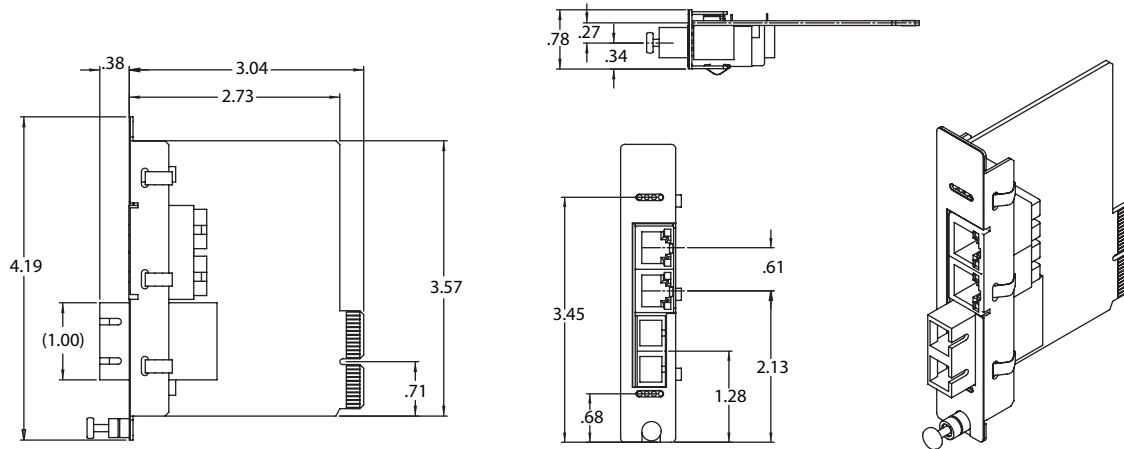
* Simple Network Management Protocol-based element management software. To configure, update, manage and monitor from a central location.



iView2: Webserver version, available for download from website.

Dimensions

Unit: inch



Ordering Information

Part Number	Also Known As	Ethernet Speed	Optical Mode	Wavelength	Distance	Optical Connector
IMC-762-SFP	856-14500	10/100 Mbps	Various	-	Various	SFP
IMC-762-SST	856-14043	10/100 Mbps	Single-Strand	1310T/1550R	20 km	SC
IMC-762-SSR	856-14044	10/100 Mbps	Single-Strand	1550T/1310R	20 km	SC
IMC-762-SSET	856-14045	10/100 Mbps	Single-Strand	1310T/1550R	40 km	SC
IMC-762-SSER	856-14046	10/100 Mbps	Single-Strand	1550T/1310R	40 km	SC

Tento produkt můžete zakoupit u společnosti AutoCont IPC a.s.



AutoCont IPC a.s.

Váš dodavatel průmyslových počítačů, komponent a speciálních průmyslových IT systémů.

 Uhlířská 1064/3, 710 00 Ostrava, Česká republika

 obchod@autocont-ipc.cz

 +420 552 301 002

 www.autocont-ipc.cz



PRŮMYSLOVÉ POČÍTAČE

fanless embedded PC, do racku, ...



POČÍTAČE S DISPLEJEM

panelové PC, terminály, do vozidel, ...



AUTOMATIZACE A SBĚR DAT

převodníky, karty, moduly, switche, ...



PERIFERIE A KOMPONENTY

monitory, klávesnice, desky, skříně, ...



NOTEBOOKY A TABLETY

odolné, windows, android, IP65, ...



INFORMAČNÍ KIOSKY

interiérové, venkovní, ...



MEDICÍNSKÁ TECHNIKA

počítače, tablety, LCD, klávesnice, ...



SOFTWAREVÁ ŘEŠENÍ

pro výrobu, zaměstnance, kiosky, ...



PŘEJÍT DO E-SHOPU

eshop.autocont-ipc.cz



DOPRAVA ZDARMA

Doprava zdarma v ČR a SR při objednávce nad 10 000 Kč bez DPH nebo nad 400 EUR.



PRODLOUŽENÁ ZÁRUKA

Záruka 2 roky na vyráběné počítače s možností jejího prodloužení až na 5 let.



ODMĚNA ZA VĚRNOST

Pravidelní zákazníci u nás nakupují za nižší ceny. Výše slevy se odvíjí od realizovaného obrátu.



SERVIS ON-SITE A IN-TIME

K projektovým dodávkám nabízíme rozšířenou podporu a servis s garancí výměny zařízení do 48 hodin.