

HIT-W183

Innovative 18.5" Healthcare/Hospitality Information Terminal



Features

- Innovative and ultra-slim design for healthcare and hospitality applications
- All-in-one computer with Intel® Apollo Lake N4200 CPU
- True-flat touch screen for easy cleaning
- Supports dual OS-Win 10 IoT 64 bit/Android 6.0.1
- Supports M.2 2230 WiFi / BT modules and M.2 2242 SSDs
- Supports RFID/NFC/Web Camera/Smart Card Reader
- Dual isolated Ethernet – Internet (for patients) and intranet (for hospitals) network traffic management and data security
- Supports nurse call button & LED indicator
- Rich optional peripherals – Handset / TV Tuner(SMA Jack)/2nd Smart Card Reader, Barcode Scanner, RFID+HID
- Medical and ITE dual certification (EN 60601-1 & IEC 62368) to provide complete application coverage



Introduction

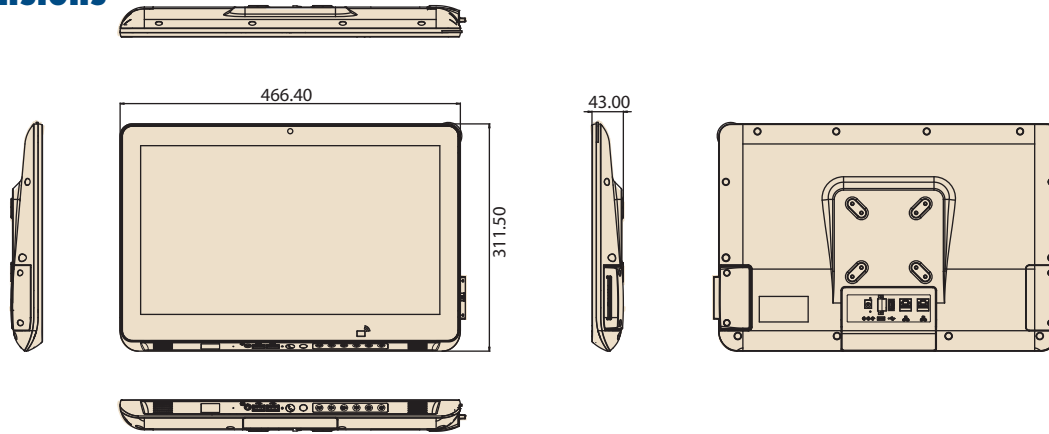
HIT-W183 is an innovative product in the HIT-series, featuring a 43mm thin body enclosure, USB 3.0, 5 megapixel camera, and dual isolated Ethernet, which lets hospitals separate and manage internal and external network traffic. The HIT-W183 also features a dedicated audio codec for our background noise-canceling handset to guarantee the best audio quality for calls to nurse stations. The available nurse call button and the LED indicator can be easily linked to existing nurse call systems in hospitals, and can be operated independently, even when the system is off. HIT-W183 is ideal for applications in hospitals, such as bedside information terminals, IP nurse call stations, and treatment centers. It can also be used as an HMI interface for medical equipment.

Specifications

Hardware	CPU	Intel® Apollo Lake N4200 (2M Cache, up to 2.5 GHz)
	Memory	DDR3L x 1, up to 8GB (Default 4GB)
	Primary Storage	M.2 2242 SSD (Default 64GB)
	Camera	5MP CMOS
	Bus Expansion	Mini-PCIe x 1
Display	Size	18.5" W TFT LED
	Max Resolution	1920 x 1080 FHD
	Luminance	350 cd/m ²
	Contrast Ratio	1000:1
Touchscreen	Type	Projected Capacitive
Front Button	Hotkey	Screen on/off
		Volume up
		Volume down
		Brightness up
		Brightness down
I/O Ports	USB 3.0	1 (Rear)
	USB 2.0	2
	Smart Card Reader	1 (Default), Optional 2nd reader
	RFID/NFC	1 (optional RFID+HID)
	Audio Jack (TRRS)	1
	Handset Out(RJ12)-Hide in the left side	1
	Nurse Call Phoenix Port (4-pin)	1
	DC-in	1
Audio	Speaker	3 Watt x 2
	Internal Microphone	1
Network	LAN (Isolated)	Isolated RJ45 (10/100/1000 Mbit) x 2
	Bluetooth	BT 4.1 (Default Module)
	WLAN	802.11 a/b/g/n/ac (Default Module)
Software	OS	Win 10 IoT 64bit /Android 6.0.1
Mechanical	Mounting	VESA 75 x 75 mm & 100 x 100 mm
	Dimensions (W x H x D)	466.4 x 311.5 x 43 mm (18.4" x 12.3" x 1.7")
	Weight	Net Weight (w/o adapter): 8.58lb, 3.89kgs Gross Weight: 13.1 lb, 5.94 kgs
Option	TV Tuner (SMA Jack)	Optional (Built-in Module)
	2nd Smart Card Reader	Optional (Built-in Module)
	Handset	Optional (Add-on Module)
	Barcode Scanner	Optional (Bottom)

Dimensions

Unit: mm



Specifications (Cont.)

Power Supply	AC/DC Adapter	
	Input Voltage	100 – 240V _{ac} , 1.1 – 0.45A @ 47 – 63Hz
	Output Voltage	IT or Medical 18-19 V _{DC} , 3.42A
Environment	Operating Temperature	0 – 40°C
	Vibration	1G
	Shock	10G Peak Acceleration (11ms duration)
	EMC & Safety Cert.	CE, FCC, CCC, CB, UL ITE & Medical, EN 60601-1& IEC 62368, BSMI

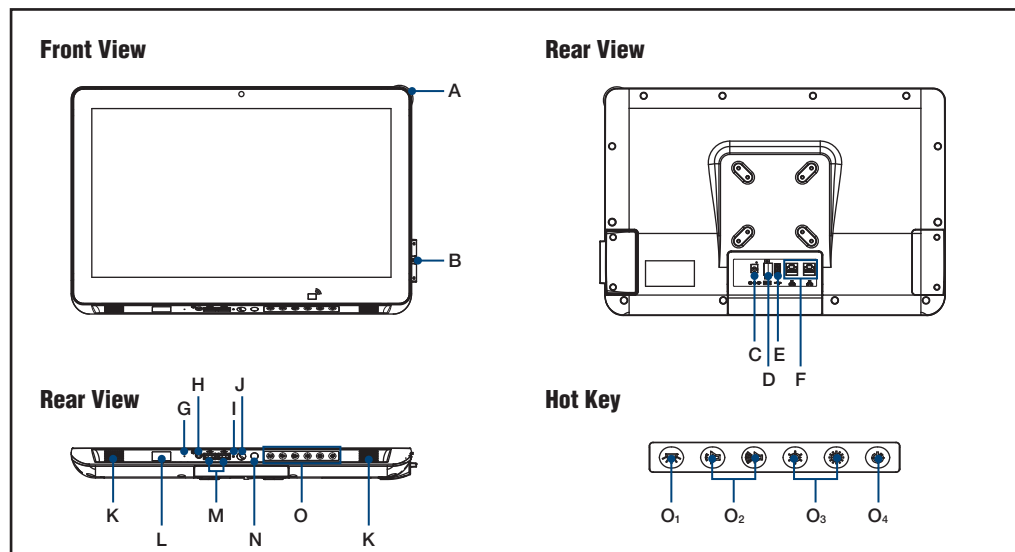
Ordering Information

Part Number	Description
HIT-W183AP-AMW1E	18.5" Wide Screen, Intel Celeron N4200, PCAP Touch, 4G RAM, 64G SSD, Web Camera, Smart Card Reader, WiFi/BT, RFID, Medical Adapter, Win10 IoT Embedded
HIT-W183AP-ATW1E	18.5" Wide Screen, Intel Celeron N4200, PCAP Touch, 4G RAM, 64G SSD, Web Camera, Smart Card Reader, WiFi/BT, RFID, ITE Adapter, Win10 IoT Embedded

Accessories

Part Number	Description
HIT-W183-HSK0E	HIT-W183 & HIT-W153 Handset Kit
170001524	Power cord USA 1.83M (for ITE)
170203180A	Power cord UK 1.83M (for ITE)
170203183C	Power cord EU 1.83M (forITE)
1702002600	Power Cable USA 1.8 M (for Medical)
1702002605	Power Cable EU 1.8 M (for Medical)
1700018704	Power Cord UK 1.8 M (for Medical)
HIT-STD-W001-C	HIT Stand for 11.6, 15.6, 18.5
PDC-W215-STAND-H3E	PDC-W215 STAND_H3-741L type_6-12kg BLACK

Fully- Integrated I/O



- A. Alarm lens
- B. Smart card reader
- C. DC jack
- D. Digital I/O Phoenix port (4 pin)
- E. USB 3.0
- F. Isolated RJ-45 LAN
- G. Mic
- H. Audio jack (TRRS)
- I. Reset button
- J. Nurse call button
- K. Speaker
- L. Barcode scanner (optional)
- M. USB 2.0
- N. Reading Light
- O. Hot key
 - O₁. Reading light on/off
 - O₂. Volume up/down
 - O₃. Brightness up/down
 - O₄. Screen on/off

Tento produkt můžete zakoupit u společnosti AutoCont IPC a.s.



AutoCont IPC a.s.

Váš dodavatel průmyslových počítačů, komponent a speciálních průmyslových IT systémů.

 Uhlířská 1064/3, 710 00 Ostrava, Česká republika

 obchod@autocont-ipc.cz

 +420 552 301 002

 www.autocont-ipc.cz



PRŮMYSLOVÉ POČÍTAČE

fanless embedded PC, do racku, ...



POČÍTAČE S DISPLEJEM

panelové PC, terminály, do vozidel, ...



AUTOMATIZACE A SBĚR DAT

převodníky, karty, moduly, switche, ...



PERIFERIE A KOMPONENTY

monitory, klávesnice, desky, skříně, ...



NOTEBOOKY A TABLETY

odolné, windows, android, IP65, ...



INFORMAČNÍ KIOSKY

interiérové, venkovní, ...



MEDICÍNSKÁ TECHNIKA

počítače, tablety, LCD, klávesnice, ...



SOFTWAREVÁ ŘEŠENÍ

pro výrobu, zaměstnance, kiosky, ...



PŘEJÍT DO E-SHOPU

eshop.autocont-ipc.cz



DOPRAVA ZDARMA

Doprava zdarma v ČR a SR při objednávce nad 10 000 Kč bez DPH nebo nad 400 EUR.



PRODLOUŽENÁ ZÁRUKA

Záruka 2 roky na vyráběné počítače s možností jejího prodloužení až na 5 let.



ODMĚNA ZA VĚRNOST

Pravidelní zákazníci u nás nakupují za nižší ceny. Výše slevy se odvíjí od realizovaného obrátu.



SERVIS ON-SITE A IN-TIME

K projektovým dodávkám nabízíme rozšířenou podporu a servis s garancí výměny zařízení do 48 hodin.