

ARK-3532C

Intel® 10th Gen Xeon® W / Core™ i LGA1200 Expansion Fanless Box PC

NEW



Features

- Support Intel® 10th Gen. Xeon® W and Core™ i3/i5/i7/i9 processor
- Triple independent display: VGA + HDMI + Optional Display
- DDR4 SO-DIMM ECC/non-ECC memory support up to 64 GB
- 12-36V_{DC} wide range power input
- Up to 4sets 2.5" hard drive bays, support Intel® SW RAID
- Support 4GbE, 8USB, 6COM, 16bit DIO, TPM2.0
- SUSI API, WISE-DeviceOn, McAfee and Acronis bundled
- 2 x Independent USB 3.0 with lockable design



WISE-DeviceOn SUSI API



Specifications

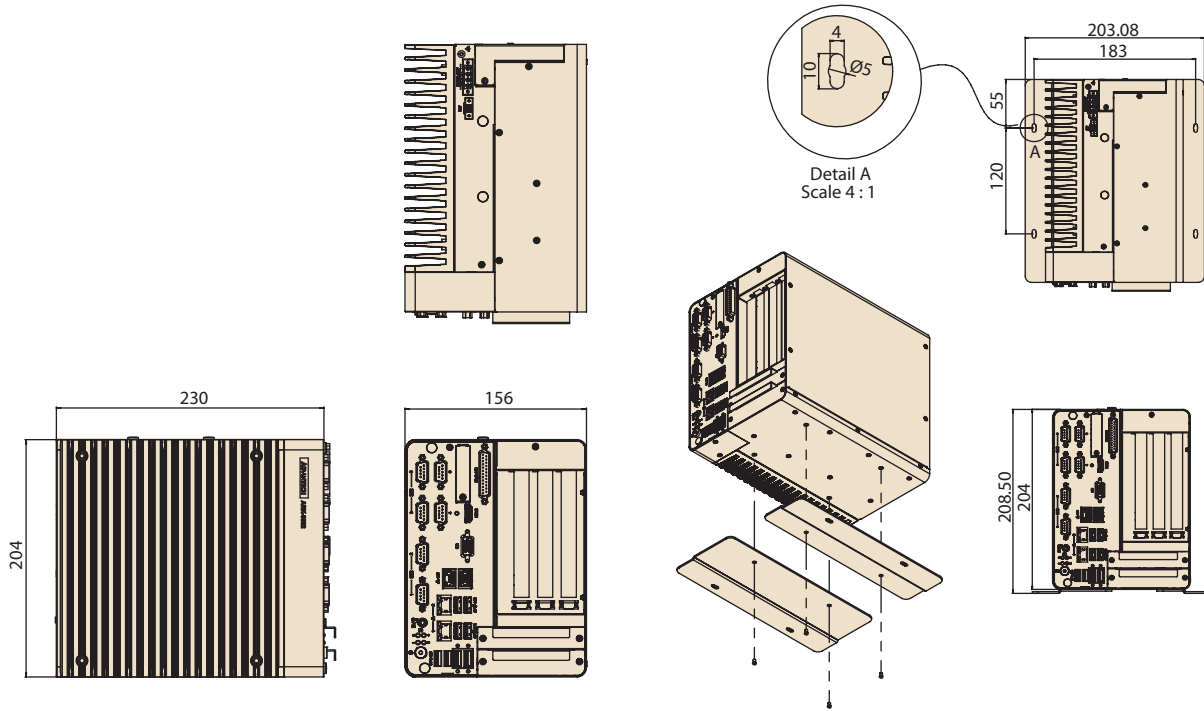
		W-1290TE	i9-10900E	i7-10700E	i5-10500E	i3-10100E	G5900E	
Processor System	CPU	W-1290TE	i9-10900E	i7-10700E	i5-10500E	i3-10100E	G5900E	
	Frequency	1.8-4.5GHz	2.8-4.7GHz	2.9-4.5GHz	3.1-4.2GHz	3.2-3.8GHz	3.2GHz	
	L3 Cache	20MB	20MB	16MB	12MB	6MB	2MB	
	Cores	10	10	8	6	4	2	
	TDP	35W	65W	65W	65W	65W	65W	
	ECC memory support (support by CPU)	YES	NO	NO	NO	YES	NO	
	Chipset	W480E						
	BIOS	AMI EFI 256Mbit						
Memory	Technology	DDR4 2933 MHz						
	Max. Capacity	64 GB						
	Socket	2 x 260-pin SO-DIMM						
Graphics	Chipset	Intel® UHD Graphics 630						
	Graphic Engine	DirectX 12, OpenGL 4.5 HW Encode: H.265/HEVC, H.264/MPEG-4 AVC, MPEG-2, JPEG/MJPEG and VP8. HW Decode: H.265/HEVC, H.264/MPEG-4 AVC, MPEG-2, VC-1/WMV9, JPEG/MJPEG, VP8 and VP9						
	VGA	1920x1200@60Hz						
	HDMI	1 HDMI port, HDMI 1.4 for HD video playback, 4096x2160@30Hz						
	Optional 3rd Display module	DVI-D / DP / HDMI Display Port						
Ethernet	Triple Display	VGA+HDMI + 3rd display module						
	LAN1	10/100/1000 Mbps Intel I219-LM GbE, support Wake On Lan						
Audio	LAN2, 3, 4	10/100/1000 Mbps Intel I210 GbE, support Wake On Lan						
	Interface	Realtek ALC888S, High Definition Audio, Line-out/Mic-in (switch)						
Others	Watch dog Timer	255-level timer interval, setup by software						
	TPM	TPM 2.0 (by optional AMO-I029)						
I/O Interface	Serial Port	4 x RS-232/422/485 port with auto flow control, 2 x RS-232; COM3 support 5V/12V power supply (by jumper)						
	USB	4 x USB 3.2 (10Gps), 2 x USB 3.0, 2 x Independent USB 3.0						
	GPIO	16bit GPIO						
Expansions	Mini PCIe	1 x Full-size Mini PCIe (1 x support mSATA, 1 x support SIM holder) #1						
	M.2	1 x E key for WiFi #1						
	Add-on Card Slot	1 Slot PCIe4 + 2 Slot PCI						
	Maximum card size	Suggest maximum power consumption 10W for each slot 110mm (H) x 180mm (L)						
Storage	HDD	2 x 2.5" SATAIII 15mm height HDD bay support Intel SW RAID (Up to 4 x 2.5" SATAIII HDD bays by optional AMK-A0035)						
	mSATA	1 x mSATA socket (Share with Mini PCIe)						
Software Support	Microsoft Windows	Windows 10						
	Linux	By Project Support						
Power Requirements	Power Type	AT/ATX						
	Power Input Voltage	12-36V						
	Power Adapter	AC to DC, 230W (Optional)						
Power Consumption (CPU/Memory Only)	Typical	30W						
	Max.	64.8W						
Mechanical	Construction	Aluminum housing						
	Mounting	Desk mounting						
	Dimensions (W x H x D)	156 x 204 x 230 mm						
	Weight	5.705Kg						
Environment	Operating Temperature	Up to 65W processor with extended temp peripherals: -20 ~ 60° C with 0.7m/s air flow with HDD: 0 ~ 40° C with 0.7m/s air flow						
	Storage Temperature	-40 ~ 85° C						
	Relative Humidity	95% @ 40° C (non-condensing)						
	Vibration During Operation	With SSD: 3 Grms, IEC 60068-2-64, random, 5 ~ 500 Hz, 1 hr/axis.						
	Shock During Operation	With SSD: 30 G, IEC 60068-2-27, half sine, 11 ms duration						
	EMC	CE/FCC Class B, CCC, BSMI						
Safety	CB, UL, CCC, BSMI							

#1 SIM holder and M.2 slot are hardware interfaces for wireless communication integration only. System level RF certification is not available.

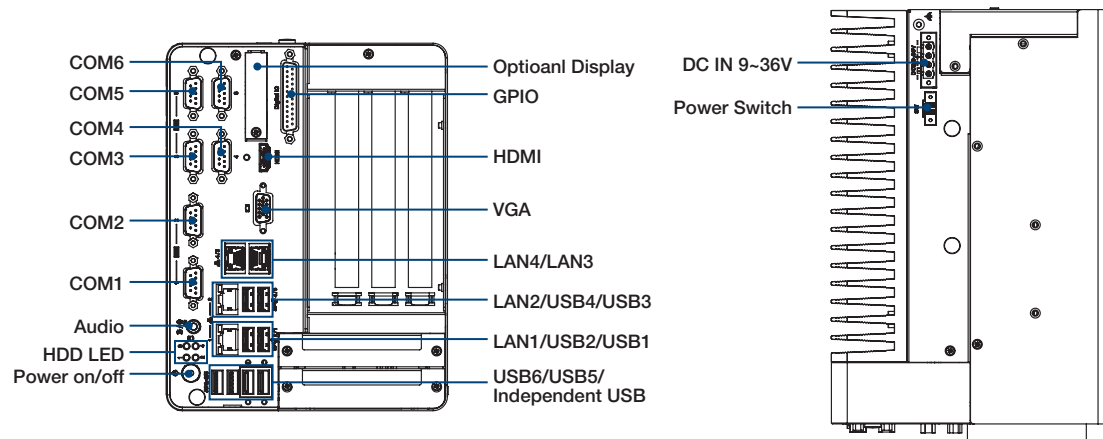
Dimensions

Unit: mm

Wallmount



External I/O Mechanical Layout/Drawing



Ordering Information

Part No.	CPU	DDR4	Gbe	VGA	HDMI	Option 3rd display module	RS-232	RS-232/422/485	Audio	USB	MiniPCIe	SIM	M.2	DC Input	Expansion
ARK-3532C-00A1	LGA1200 Socket Type	Up to 64GB	4	1	1	1	2	4	Mic-in or Line-out	8	1	1	1	12-36V	PCIex4 + 2PCI
ARK-3532C-00A2	LGA1200 Socket Type	Up to 64GB	4	1	1	1	2	4	N/A	8	1	1	1	12-36V	PCIex4 + 2PCI

Note: CPU/Memory/Storage and operating system bundled by request.

Packing List

Part Number	Description
-	ARK-3532C Unit
-	User Manual (Simplified Chinese)
-	China RoHS
-	Desk mounting kit
36WSWPDOBUND11	WISE-DeviceOn
36WSWPDOB0211	McAfee Application Control Lite/Acronis Backup 11.7 for Windows PC

Embedded OS

Part Number	Description
20706WX9HS0125	Windows 10 IoT Enterprise 2019 LTSC 64bit for Xeon/Core i9/Core i7
20706WX9VS0129	Windows 10 IoT Enterprise 2019 LTSC 64bit for Celeron/Core i5/Core i3

ARK-3532C Default SKU Option Items

Optional Item for Default SKU

Part Number	Description
96PSA-A230W24P4-3	AC to DC adapter, DC 24V 230W, -20 ~ 60 °C
1702002600	Power cable 3-pin 183cm, USA type
1702002605	Power cable 3-pin 183cm, EU type
1702031801	Power cable 3-pin 183cm, UK type
1700000237	Power cable, 3-Pin 183cm, PSE type

ARK-3532C Optional HDD expansion Kit

Part Number	Description
AMK-A0035	2 x internal HDD bays kit (Max Height 15mm)

Optional Display Module

Part Number	Description
AMO-D001E	DVI-D module
AMO-D002E	DP module
AMO-D003E	HDMI module

Optional TPM Module

Part Number	Description
AMO-I029	TPM 2.0 Infineon SLB9670V2.0

Tento produkt můžete zakoupit u společnosti AutoCont IPC a.s.



AutoCont IPC a.s.

Váš dodavatel průmyslových počítačů, komponent a speciálních průmyslových IT systémů.

 Uhlířská 1064/3, 710 00 Ostrava, Česká republika

 obchod@autocont-ipc.cz

 +420 552 301 002

 www.autocont-ipc.cz



PRŮMYSLOVÉ POČÍTAČE

fanless embedded PC, do racku, ...



POČÍTAČE S DISPLEJEM

panelové PC, terminály, do vozidel, ...



AUTOMATIZACE A SBĚR DAT

převodníky, karty, moduly, switche, ...



PERIFERIE A KOMPONENTY

monitory, klávesnice, desky, skříně, ...



NOTEBOOKY A TABLETY

odolné, windows, android, IP65, ...



INFORMAČNÍ KIOSKY

interiérové, venkovní, ...



MEDICÍNSKÁ TECHNIKA

počítače, tablety, LCD, klávesnice, ...



SOFTWAREVÁ ŘEŠENÍ

pro výrobu, zaměstnance, kiosky, ...



PŘEJÍT DO E-SHOPU

eshop.autocont-ipc.cz



DOPRAVA ZDARMA

Doprava zdarma v ČR a SR při objednávce nad 10 000 Kč bez DPH nebo nad 400 EUR.



PRODLOUŽENÁ ZÁRUKA

Záruka 2 roky na vyráběné počítače s možností jejího prodloužení až na 5 let.



ODMĚNA ZA VĚRNOST

Pravidelní zákazníci u nás nakupují za nižší ceny. Výše slevy se odvíjí od realizovaného obrátu.



SERVIS ON-SITE A IN-TIME

K projektovým dodávkám nabízíme rozšířenou podporu a servis s garancí výměny zařízení do 48 hodin.