

AIM-58

10.1" Industrial Tablet with Intel® Atom™ Processor



Features

- Intel® Atom™ processor with Windows 10 IoT & Android 6.0 operating systems
- 10.1" WUXGA full HD display with scratch-resistant Corning® Gorilla® Glass 3 and multi-touch PCAP control
- WLAN, BT, NFC & 4G LTE technologies for seamless communication
- Optional docking stations include vehicle, VESA, and desk docking stations
- Optional extension modules such as 1D/2D barcode scanners and a LAN+COM module
- Optional accessories include a stylus, hand strap, and shoulder strap
- Additional modules and accessories can be customized according to application requirements



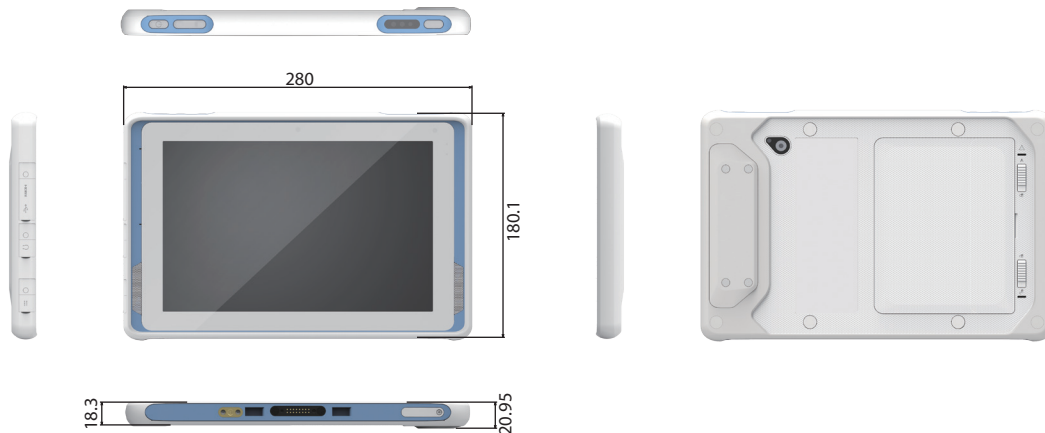
Specifications

System	Processor	Intel® Atom™ x7-Z8750 quad-core, 1.6 Ghz (2M cache, up to 2.56 Ghz)
	Memory	4 GB LPDDR3 (up to 8 GB)
	OS	Windows 10 IoT Enterprise, AIM Android 6.0
Storage	eMMC	64 GB default (up to 128 GB)
	Type	10.1" FHD LCD
Display	Resolution	WUXGA 1920 x 1200
	Brightness	380/800 cd/m ² (optional)
	Construction	Corning® Gorilla® Glass 3 with 10-point P-CAP touch control
Audio	Speaker	2 x internal speakers (2 W)
	Audio Jack	1 x audio combo jack (combines stereo audio output and mono microphone input)
	Camera	2.0-megapixel auto-focus camera
Sensors	Rear	5.0-megapixel auto-focus camera with LED flash
		Ambient Light Sensor, G-sensor / eCompass
Barcode Scanner	Barcode Scanner (Optional)	Integrated 1D/2D barcode scanner
	Standard I/O	1 x micro HDMI, 1 x USB 3.0, 1 x combo audio jack, 1 x 19 VDC-in jack, 1 x SIM card reader, 1 x micro SD card reader
I/O Interface	Extended I/O	1 x AIM module pogo pin connector at rear for supporting AIM extension modules
	Docking	16-pin pogo pin connector
	Buttons	1 x power button, 2 x volume keys (up/down), 1 x programmable function key
	LED Indicator	Full: green (100%); Charging: blue; Low: red (≤10%)
Wireless Communication	WLAN/Bluetooth	IEEE 802.11a/b/g/n/ac, Bluetooth® v4.1
	WWAN (Optional)	4G LTE module with AGPS
	NFC	13.56 MHz
GNSS	Satellite System (Optional)	Standalone GPS supports GLONASS, BeiDou
	Power Adapter	Input: 100-240 V ~ 1.5 A 50/60 Hz, Output: 19 V, Max.65 W
Power System	Battery	Hot-swappable smart battery with capacity LED indicators; Capacity: 26 WHr Operating time: Approx. 5.5hrs operation (dependent on user scenario*), Charging time: <3hrs
	Dimensions (W x D x H)	280 x 18.3 x 180.1 mm (11 x 0.7 x 7.1 in)
Environment	Weight	Approx. 980 g (2.2 lb)
	Operating Temperature	-10 ~ 50 °C (14 ~ 122 °F)
	Storage Temperature	-20 ~ 70 °C (-4 ~ 158 °F)
	IP Rating	IP65
	Shock	Operating: 10 ~ 20 G, 11 ms; Non-operating: 50 G, 11 ms
	Vibration	Operating: (5 ~ 500 Hz) 0.5 ~ 1 G; Non-operating: (5 ~ 500 Hz) 0.04 PSD
	Humidity	Operating: 10 ~ 90% @ 40 °C non-condensing Storage: -10 ~ 95% non-condensing
	Altitude	Operating: sea level 0 to 3048 m (10k ft); Storage: sea level 0 to 12192 m (40k ft)
	Drop Tested	Up to 120 cm (4 ft) onto plywood over concrete
	Certifications/Safety/EMC	CE, CB, VCCI, UL60950 (ITE), UL2054, UN38.3, IEC62133, PSE for battery pack, FCC ID/PTCRB/R&TTE/SRRC/TELEC, FCC15 Class B, CE Mark (DOC Class B), REACH, RoHS

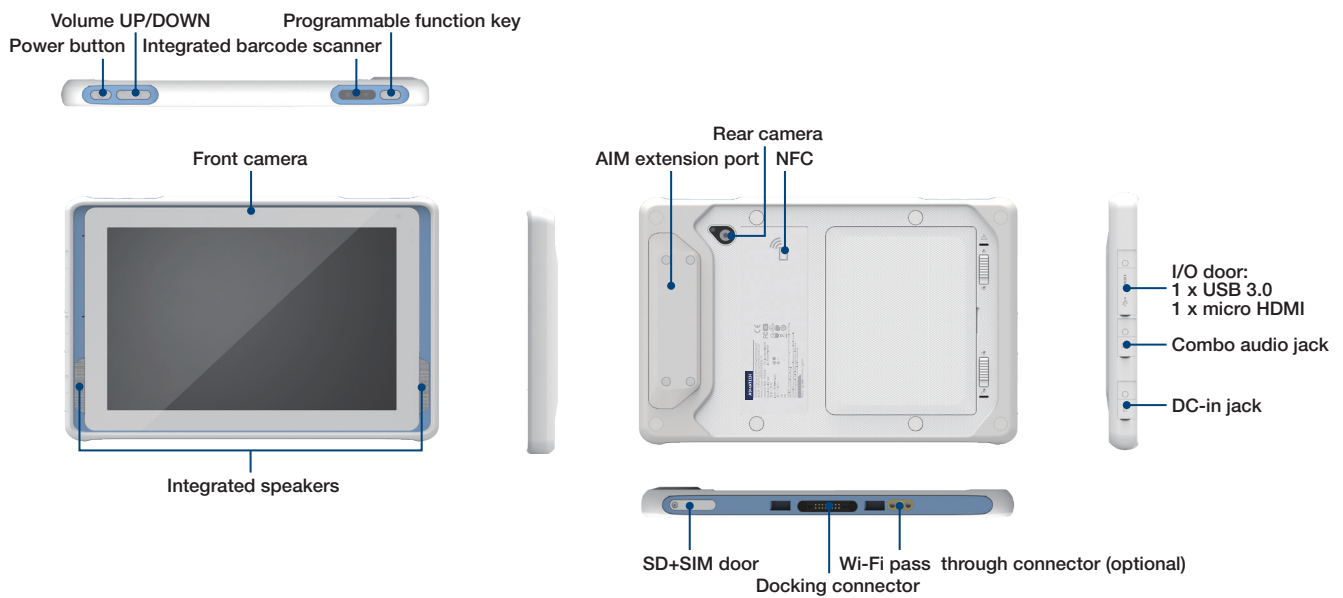
**Testing method: JEITA 2.0. The battery duration and recharge time may vary according to different factors such as screen brightness, applications, features, power management, battery condition, and other configurable settings.

Dimensions

Unit: mm



Front/Rear/Side I/O View



Ordering Information

Part Number	Description	Memory	Storage	LCD	Barcode	NFC	Wi-Fi/BT	LTE+GPS	F-Camera	R-Camera	OS
AIM-58CT-12101000	10I/4G/64G/WIN10/AC/G	4 GB	64 GB	380 nits	X	V	V	X	2M	5M	Win 10 IoT Enterprise
AIM-58CT-13101000	10I/4G/64G/A6.0/AC/G/	4 GB	64 GB	380 nits	X	V	V	X	2M	5M	Android 6.0

Optional Accessories

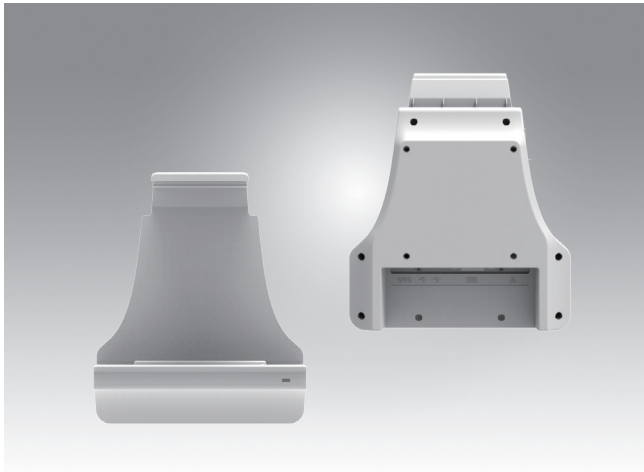
Part Number	Description
1700001947	Power cord UL 2P 7A 125 V 183 cm
1700002141	Power cord PSE 2P 7A 125 V 183 cm
1700008972	Power cord CCC 2P 2.5A 250 V 183 cm
1700001948-11	Power cord EU 2P 2.5A 250 V 183 cm

AIM-58 Packing List

Description
1 x AIM-58
1 x 10.8V/2400mAh lithium-ion battery
1 x AC/DC adaptor
1 x 2-pin power cord

For sales inquiries or further information, please contact us at Mobile@advantech.com.tw

AIM-58 VESA Docking Station



Features

- 9 ~ 32 V wide input voltage range
- VESA (75 x 75 mm)-compliant docking stations
- -10 ~ 50 °C (14 ~122 °F) operating temperature
- Reliable docking connector for office applications

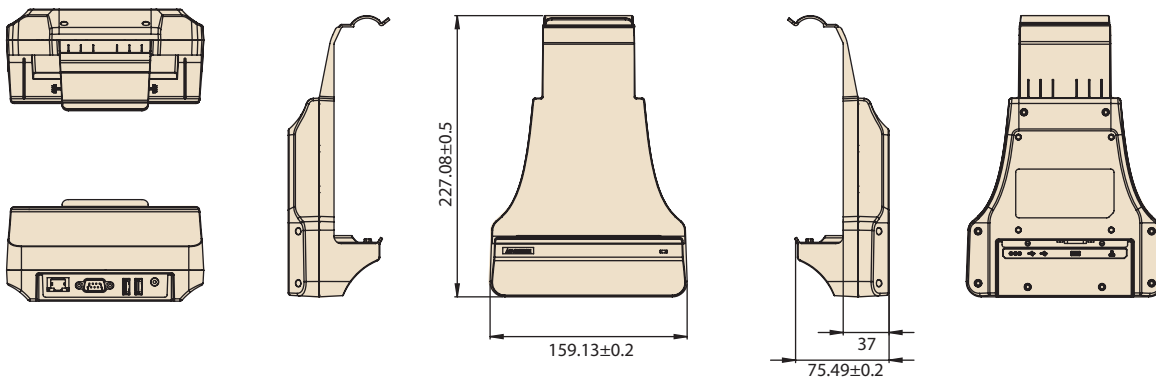
CE FCC

Specifications

		Advanced VESA Docking Station	VESA Docking Station with USB
I/O		2 x USB 3.0/2.0 1 x RS-232 COM 1 x Gigabit LAN 1 x Power jack	2 x USB 2.0 1 x Power jack
Stand		N/A	N/A
Power	Input Voltage	9 ~ 32 V	19 V
Mechanical	Dimensions (W x D x H)	159.13 x 75.49 x 227 mm (6.3 x 2.9 x 8.9 in)	159.13 x 75.49 x 227 mm (6.3 x 2.9 x 8.9 in)
	Weight	0.33 kg (0.72 lb)	0.32 kg (0.71 lb)
Environment	Operating Temperature	-10 ~ 50 °C (14 ~122 °F); 0 ~ 40 °C (32 ~104 °F) for charging	-10 ~ 50 °C (14 ~122 °F); 0 ~ 40 °C (32 ~104 °F) for charging
	Storage Temperature	-20 ~ 70 °C (-4 ~ 158 °F)	-20 ~ 70 °C (-4 ~ 158 °F)
	Safety	UL, CB, LVD, CCC	UL, CB, LVD, CCC
	Certifications	CE, FCC, CCC	CE, FCC, CCC

Dimensions

Unit: mm



Ordering Information

Part Number	Description
AIM-VSD0-1001	AIM 10 advanced VESA docking station
AIM-VSD0-1002	AIM 10 VESA docking station with USB

Packing List

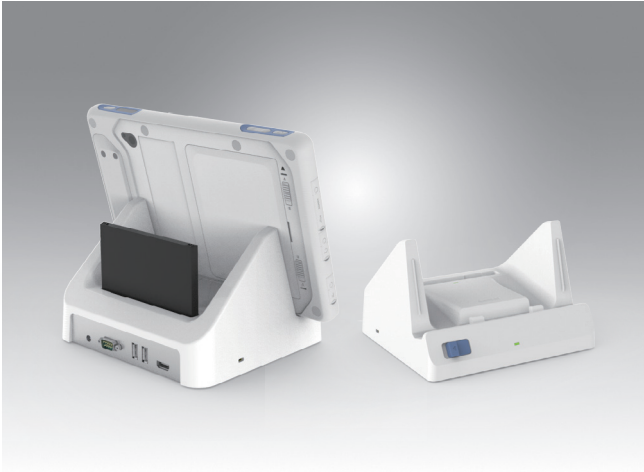
Item	AIM-VSD0-1001	AIM-VSD0-1002
1	1 x VESA Dock(Advanced I/O)	1 x Vehicle Dock (Charging & USB Only)

Note: The packing list doesn't include adapter and power cord. Please order based on following PNs.

Optional Accessories

Part Number	Description
AIM-ADP0-0424	ADP A/D 100-240V 65W 19V DC IN
1700001947	Power cord (USA) UL 2P 7A 125V 183 cm
1700001949	Power Cord(UK) BSI 2P 2.5A 250V 183cm
1700029278-01	Power Cord (Japan) PSE 2P 7A 125V 183cm
1700029279-01	Power Cord (NZ/AU) SAA 2P 2.5A 250V 183 cm
1700008972	Power cord (China)CCC 2P 2.5A 250 V 183 cm
1700001948-11	Power cord (EU) EU 2P 2.5A 250 V 183 cm
1700021662-01	Power Cord (TW) BSMI 2P 2.5A 125V 183cm

AIM-58 Desk Docking Station



Features

- 10 ~ 50 °C (14 ~122 °F) operating temperature
- Reliable docking connector for office applications

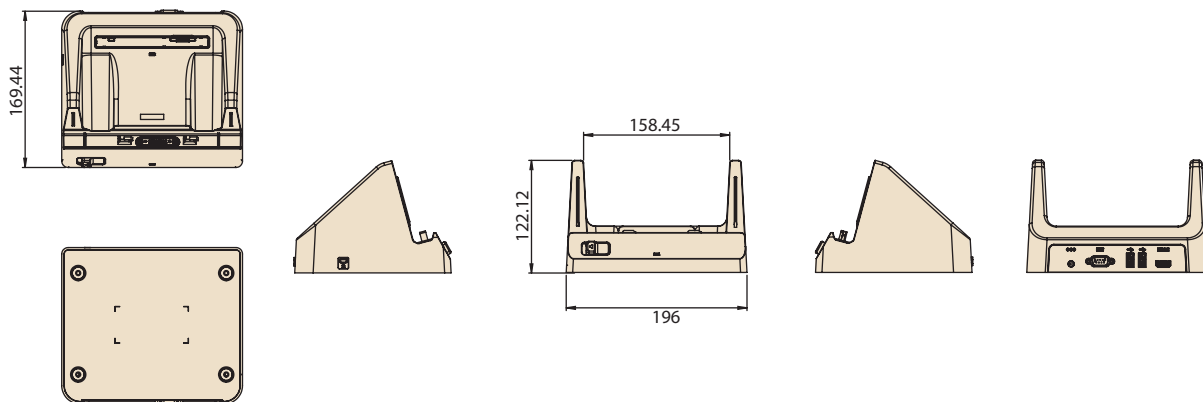
CE FCC CCC

Specifications

		Advanced Desk Docking Station	Desk Docking Station with USB
I/O		2 x USB 2.0 1 x RS-232 COM 1 x Power jack 1 x HDMI 1 x Battery charging bay	2 x USB 2.0 1 x Power jack
	Power	Input Voltage 19 V	19 V
Mechanical	Dimensions (W x D x H)	196 x 169.44 x 122.12 mm (7.72 x 6.67 x 4.81 in)	196 x 169.44 x 122.12 mm (7.72 x 6.67 x 4.81 in)
	Weight	0.76 kg (1.68 lb)	0.75 kg (1.65 lb)
Environment	Operating Temperature	-10 ~ 50 °C (14 ~122 °F); 0 ~ 40 °C (32 ~104 °F) for charging	-10 ~ 50 °C (14 ~122 °F); 0 ~ 40 °C (32 ~104 °F) for charging
	Storage Temperature	-20 ~ 70 °C (-4 ~ 158 °F)	-20 ~ 70 °C (-4 ~ 158 °F)
	Safety	CE, FCC, CCC	UL, CB, LVD, CCC
	Certifications	UL, CB, LVD, CCC	CE, FCC, CCC

Dimensions

Unit: mm



Ordering Information

Part Number	Description
AIM-OFD0-0001	AIM 10 advanced desk dock station
AIM-OFD0-0002	AIM 10 desk dock station with USB

Packing List

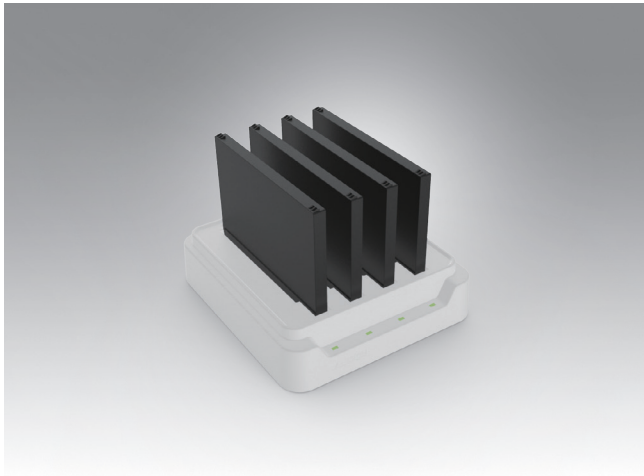
Item	AIM-OFD0-0001	AIM-OFD0-0002
1	1 x Office Dock(Advanced I/O)	1 x Office Dock (Charging & USB Only)

Note: The packing list doesn't include adapter and power cord. Please order based on following PNs.

Optional Accessories

Part Number	Description
AIM-ADP0-0424	ADP A/D 100-240V 65W 19V DC IN
1700001947	Power cord (USA) UL 2P 7A 125 V 183 cm
1700001949	Power Cord(UK) BSI 2P 2.5A 250V 183cm
1700029278-01	Power Cord (Japan) PSE 2P 7A 125V 183cm
1700029279-01	Power Cord (NZ/AU) SAA 2P 2.5A 250V 183 cm
1700008972	Power cord (China)CCC 2P 2.5A 250 V 183 cm
1700001948-11	Power cord (EU) EU 2P 2.5A 250 V 183 cm
1700021662-01	Power Cord (TW) BSMI 2P 2.5A 125V 183cm

AIM Multi-Battery Charging Station



Features

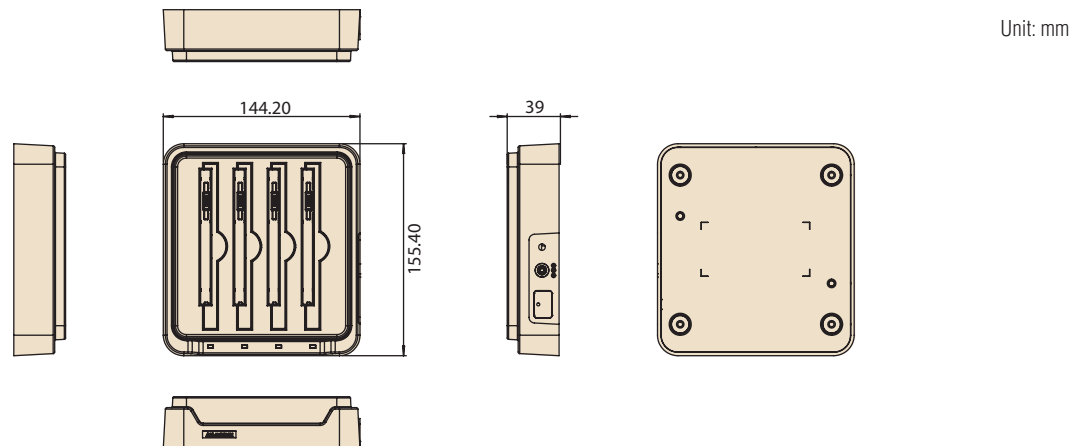
- Supports charging of up to 4 batteries simultaneously
- Overcurrent and overvoltage protection provided
- LED indicators for monitoring charging status



Specifications

		Multi-Battery Charging Station for AIM
Capacity	Number of Bays	4
	Charging Current	1 A
Power	Charging Voltage	12.6 V
	Input Voltage	19 V
LED Indicators		Green: Full Amber: Charging Red: Error
Mechanical	Dimensions (W x D x H)	144 x 155 x 39 mm (5.7 x 6.1 x 1.5 in)
	Weight	0.48 kg (1.05 lb)
Environment	Operating Temperature	0 ~ 40 °C (32 ~ 104 °F)
	Storage Temperature	-10 ~ 50 °C (14 ~ 122 °F)
	Safety Certifications	UL, CB, LVD, CCC, RCM CE, FCC, CCC, RCM, BSMI

Dimensions



Ordering Information

Part Number	Description
AIM-MBCS-0001	Multi-battery charging station for AIM

Packing List

Item	AIM-MBCS-0001
1	1 x Multi Battery Charger
2	1 x AC/DC adaptor

Note: The packing list doesn't include power cord. Please order based on following PNs.

Optional Accessories

Part Number	Description
96PSA-A65W19V1-1	ADP A/D 100-240V 65W 19V C6 DC PLUG 180°
1700001524	Power cord (USA) UL 3P 10A 125V 183 cm
1700008921	Power cord (Japan) PSE 3P 7A 125V 183 cm
1700019146	Power cord (China) CCC 3P 10A 250V 183 cm
1700018553	Power cord (NZ/AU) SAA 3P 10A 250V 183 cm
170203180A	Power cord (UK) BSI 3P 10A 250V 183 cm
170203183C	Power cord (EU) 3P 2.5A 250V 183 cm

AIM-58 Extensions and Accessories

Extension Modules

Barcode Scanner (20°)



Barcode Scanner (70°)



LAN + COM Module



AIM NFC Reader



Part Number	AIM-BCRS-0020	AIM-BCRS-0070	AIM-LANC-0001	AIM-RFID-0001
Features	<ul style="list-style-type: none"> Sensor: 640 x 480 CMOS sensor Illumination & Aiming: White LED illuminator/Red LED dot aimer Frame rate: 30 fps Field of view: Horizontal: 37.8°; Vertical: 28.8° 	<ul style="list-style-type: none"> Sensor: 640 x 480 CMOS sensor Illumination & Aiming: White LED illuminator/Red LED dot aimer Frame rate: 30 fps Field of view: Horizontal: 37.8°; Vertical: 28.8° 	<ul style="list-style-type: none"> 1 x 10/100 Ethernet port 1 x COM port 	<ul style="list-style-type: none"> RFID output: 200mW (maximum) RF Operation frequency: 13.56MHz +/- 7kHz (nominal) RF output impedance: 50 Ohm Host I/F: USB Multi protocol HF RFID Tag supported: ISO15693, ISO14443A/B, Felica, Mifare, Tag-it, ST LRI 1K, ST M24LRXX
Dimensions	130.2 x 38.7 x 27.8 mm (5.12 x 1.52 x 1.09 in)	130.2 x 38.7 x 32 mm (5.12 x 1.52 x 1.25 in)	130.2 x 70 x 29 mm (5.12 x 2.75 x 1.14 in)	130.2 x 70 x 29 mm (5.12 x 2.75 x 1.14 in)
Weight	0.042 kg (0.092 lb)	0.042 kg (0.092 lb)	0.078 kg (0.171 lb)	0.078 kg (0.171 lb)

Accessories

Hand Strap



Stylus Holder

Shoulder Strap (Portrait)



Shoulder Strap (Landscape)



Battery with Meter



Part Number	AIM-SRPO-0000	AIM-SRPO-0001	AIM-SRPO-0002	AIM-BATO-0452
Features	Black With one stylus holder	Black With one stylus holder	Black With one stylus holder	Black
Dimensions	240 x 20 mm (9.44 x 0.78 in)	380 x 135 x 20 mm (14.96 x 5.31 x 0.78 in)	1820 x 20 mm (71.65 x 0.78 in)	120 x 87 x 7.5 mm (4.72 x 3.43 x 0.30 in)
Weight	0.022 kg (0.048 lb)	0.05 kg (0.11 lb)	0.05 kg (0.11 lb)	0.147 kg (0.324 lb)

Active Stylus



Part Number	AIM-P704
Features	Black
Dimensions	140 x 9.7 mm (5.51 x 0.38 in)
Weight	0.02 kg (0.044 lb)

Tento produkt můžete zakoupit u společnosti AutoCont IPC a.s.



AutoCont IPC a.s.

Váš dodavatel průmyslových počítačů, komponent a speciálních průmyslových IT systémů.

 Uhlířská 1064/3, 710 00 Ostrava, Česká republika

 obchod@autocont-ipc.cz

 +420 552 301 002

 www.autocont-ipc.cz



PRŮMYSLOVÉ POČÍTAČE

fanless embedded PC, do racku, ...



POČÍTAČE S DISPLEJEM

panelové PC, terminály, do vozidel, ...



AUTOMATIZACE A SBĚR DAT

převodníky, karty, moduly, switche, ...



PERIFERIE A KOMPONENTY

monitory, klávesnice, desky, skříně, ...



NOTEBOOKY A TABLETY

odolné, windows, android, IP65, ...



INFORMAČNÍ KIOSKY

interiérové, venkovní, ...



MEDICÍNSKÁ TECHNIKA

počítače, tablety, LCD, klávesnice, ...



SOFTWAREVÁ ŘEŠENÍ

pro výrobu, zaměstnance, kiosky, ...



PŘEJÍT DO E-SHOPU

eshop.autocont-ipc.cz



DOPRAVA ZDARMA

Doprava zdarma v ČR a SR při objednávce nad 10 000 Kč bez DPH nebo nad 400 EUR.



PRODLOUŽENÁ ZÁRUKA

Záruka 2 roky na vyráběné počítače s možností jejího prodloužení až na 5 let.



ODMĚNA ZA VĚRNOST

Pravidelní zákazníci u nás nakupují za nižší ceny. Výše slevy se odvíjí od realizovaného obrátu.



SERVIS ON-SITE A IN-TIME

K projektovým dodávkám nabízíme rozšířenou podporu a servis s garancí výměny zařízení do 48 hodin.