

# UTC-515

## 15.6" Ubiquitous Touch Computer UTC-515A with AMD® G-Series T40E UTC-515B with Intel Atom Dual Core D2550 UTC-515C with Intel Core™ i3, i7



### Features

- Low Power & Fanless design
- Built-in AMD® G-Series T40E (UTC-515A)
- Built-in Intel Atom Dual Core D2550 (UTC-515B)
- Built-in Intel Core™ i3, i7 (UTC-515C)
- Providing Natural Viewing Experience with 16:9 15.6" Display
- Front panel complies with IP65 protection standard
- All in one aluminum extrusion design
- Landscape & Portrait screen mode support by different applications
- VESA 100 mm standard mounting holes for varied mounting demands
- Attachable design for panel & peripherals to extend function and applications



### Introduction

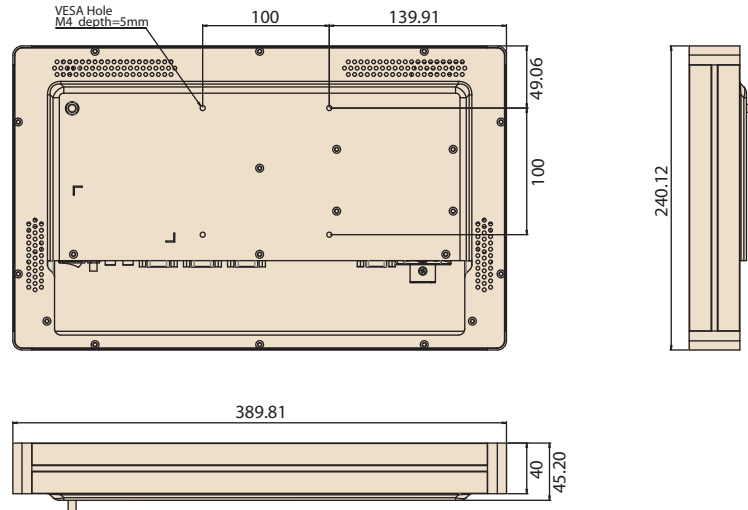
UTC-515 features an all-in-one computing system equipped with wide format, touch based LCD panel. It is easy to integrate key peripherals and display systems for diversified self-service and interactive signage deploy in different application areas. The systems deliver updated information with well-designed interactive interfaces, fully ensure relevant content and targeted promotions are delivered. UTC series touch panel computers are the best investments to enhance user satisfaction, further brand equity, and maximize business profits.

### Specifications

Processor System	CPU	AMD® G-Series T40E Dual-core 1.0 GHz (UTC-515A)	Intel Atom Dual Core D2550 1.8 GHz (UTC-515B)	Intel i3 3217UE 1.6 GHz Intel i7 3517UE 1.7 GHz (Available*) (UTC-515C)	
	Chipset	T40E + A50M	Intel Atom D2550 + Intel NM10	Intel QM77	
	L2 Cache	512 KB	1 MB	1 MB (L3, 3 MB)	
	Memory	1 x SO-DIMM DDR3 1066 MHz up to 4 GB	1 x SO-DIMM DDR3 1066 MHz up to 4 GB	1 x SO-DIMM DDR3/DDR3L 1333/1600 MHz up to 8 GB	
	SSD	Support 1 x CFast	Support 1 x CFast		
	HDD	1 x 2.5 internal SATA HDD bay			
	Network (LAN)	2 x Gigabit Ethernet ports (Supports Wake on LAN)			
	I/O Ports		3 x RS-232 COM (RS-422/485)* 4 x USB 2.0	3 x RS-232 COM (RS-422/485)* 4 x USB 2.0	2 x RS-232 COM (RS-422/485)* 2 x USB 2.0, 2 x USB 3.0
			2 x Gigabit Ethernet (RJ-45) 1 x VGA & HDMI	2 x Gigabit Ethernet (RJ-45) 1 x VGA & HDMI	2 x Gigabit Ethernet (RJ-45) 1 x VGA & HDMI
			Audio Line-out x 1, Mic-in x 1	Audio Line-out x 1, Mic-in x 1	Audio Line-out x 1, Mic-in x 1
	Stereo Speaker	1 W x 2			
	Bus expansion	Full-size MiniPCIe/mSATA			
	Mounting	VESA 100 x 100 mm			
Dimensions (W x H x D)	389.81 x 240.12 x 45.20 (mm)				
Weight	4.85 kg (10.67 lb)				
OS Support		Windows XP/ XPE/ Embedded Windows 7/Embedded Windows 8	Embedded Windows 7 32bit	Embedded Windows 7 /Embedded Windows 8/ Window 10 IoT Enterprise	
Environmental Specifications	Operating Temperature	0 ~ 40° C (32 ~ 104° F)			
	Relative Humidity	10 ~ 95% @ 40° C non-condensing			
	Vibration	0.5G			
	Shock	5 G peak acceleration (11 msec. duration)			
	EMC/ Safety	CE, FCC, UL, CCC CB,BSMI			
	Front Panel Protection	IP65/ NEMA4 Compliant			
Power Supply	Input Rating	12 V/5 A (60 W ITE Adapter)		12 V/5 A (60 W ITE Adapter)	
	Power consumption	Typical 32W Max. 40W		Typical 40W Max. 50W	
LCD Display	Size/Type	15.6" TFT LCD with LED backlight			
	Max. Resolution	1366 x 768 (FHD 1920 x 1080 Optional)			
	Max. Color	16.7M			
	Pixel Pitch (um)	252 x 252			
	Brightness (cd/m <sup>2</sup> )	400			
View Angle	170°/160°				
Touch Screen Option (PE/RE/GE)	Type	Projected Capacitive. Analog Resistive 5-wires / Glass Panel			
	Light Transmission	90% ± 2% / 80% ± 5% / 90%			
	Controller	USB Interface / USB Interface / -			

## Dimensions

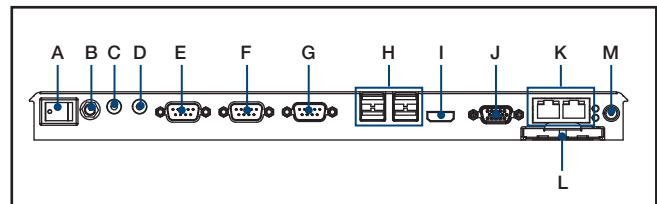
Unit: mm (inch)



## Ordering Information

Part No.	Description
UTC-515A-RE	15.6" AMD T40E Based fanless UTC with Resi.T/S. 4 GB RAM
UTC-515A-PE	15.6" AMD T40E Based fanless UTC with PCT.T/S. 4 GB RAM
UTC-515A-GE	15.6" AMD T40E Based fanless UTC with Glass. 4 GB RAM
UTC-515B-RE	15.6" ATOM D2550 Based fanless UTC with Resi.T/S. 4 GB RAM
UTC-515B-PE	15.6" ATOM D2550 Based fanless UTC with PCT.T/S. 4 GB RAM
UTC-515B-GE	15.6" ATOM D2550 Based fanless UTC with Glass. 4 GB RAM
UTC-515C-RE	15.6" Intel Core i3 Based fanless UTC with Resi.T/S. 4 GB RAM
UTC-515C-PE	15.6" Intel Core i3 Based fanless UTC with PCT.T/S. 4 GB RAM
UTC-515C-GE	15.6" Intel Core i3 Based fanless UTC with Glass 4 GB RAM
1702002605	Power cord 2P FRANCE 10A/16A 220V 1.83M 90D
1702002600	Power Cord 3P UL/CSA(USA) 125V 10A 1.83M 180D
1700000596	Power Cord (China) CCC,10A 250V, 3P 1830mm
1700018704	Power Cord UK BSI 2P 10A 250V 180cm 18AWG
1960060674N001	IO Cover for UTC-515 series

## Fully- Integrated I/O



- A. Power switch
- B. Antenna Port
- C. Line-out
- D. Mic-in
- E. COM3 (UTC-515A/B only)
- F. COM2
- G. COM1
- H. USB 2.0 x 4  
(USB 2.0 x 2, USB 3.0 x 2 for UTC-515C)
- I. HDMI
- J. VGA
- K. LAN Ports x 2
- L. CFast (UTC-515A/B only)
- M. DC Input

### Side groove design for Flexible peripheral device



### Peripherals for UTC-500 series

Part No.	Description
UTC-P01-A1E	5M Camera Module For UTC-5XX (USB connection)
UTC-P02-A0E	Magnet Strip Reader For UTC-5XX (USB connection)
UTC-P03-A0E	RFID Reader For UTC-5XX (USB connection)
UTC-P06-A0E	Smart Card Reader For UTC-5XX (USB connection)
UTC-P07-A1E	1D/2D Barcode Reader For UTC-5XX (USB Connection)
UTC-P21-A0E	4 in 1 Modules Barcode reader + RFID + Card reader + MSR

### Installation Accessory

Part No.	Description
UTK-500F-A0E	Floor stand with SNBC BTP-U81 thermal printer (for China only)
UTK-500S-A0E	Floor stand without thermal printer
UTK-500G-A0E	Floor stand with thermal printer bracket
UTC-520-STAND1E	Desktop stand for UTC-515/520
UTC-H01-STANDE	H-shaped floor stand
UTC-T01-STANDE	Triangle shape floor stand
UTC-WALL-MOUNT1E	Wall Mount kit for UTC-515/520
UTC-WALL-MOUNT3E	Wall Mount kit for UTC-515/520

# Tento produkt můžete zakoupit u společnosti AutoCont IPC a.s.



## AutoCont IPC a.s.

Váš dodavatel průmyslových počítačů, komponent a speciálních průmyslových IT systémů.

 Uhlířská 1064/3, 710 00 Ostrava, Česká republika

 obchod@autocont-ipc.cz

 +420 552 301 002

 [www.autocont-ipc.cz](http://www.autocont-ipc.cz)



### PRŮMYSLOVÉ POČÍTAČE

*fanless embedded PC, do racku, ...*



### POČÍTAČE S DISPLEJEM

*panelové PC, terminály, do vozidel, ...*



### AUTOMATIZACE A SBĚR DAT

*převodníky, karty, moduly, switche, ...*



### PERIFERIE A KOMPONENTY

*monitory, klávesnice, desky, skříně, ...*



### NOTEBOOKY A TABLETY

*odolné, windows, android, IP65, ...*



### INFORMAČNÍ KIOSKY

*interiérové, venkovní, ...*



### MEDICÍNSKÁ TECHNIKA

*počítače, tablety, LCD, klávesnice, ...*



### SOFTWAREVÁ ŘEŠENÍ

*pro výrobu, zaměstnance, kiosky, ...*



### PŘEJÍT DO E-SHOPU

[eshop.autocont-ipc.cz](http://eshop.autocont-ipc.cz)



### DOPRAVA ZDARMA

Doprava zdarma v ČR a SR při objednávce nad 10 000 Kč bez DPH nebo nad 400 EUR.



### PRODLOUŽENÁ ZÁRUKA

Záruka 2 roky na vyráběné počítače s možností jejího prodloužení až na 5 let.



### ODMĚNA ZA VĚRNOST

Pravidelní zákazníci u nás nakupují za nižší ceny. Výše slevy se odvíjí od realizovaného obrátu.



### SERVIS ON-SITE A IN-TIME

K projektovým dodávkám nabízíme rozšířenou podporu a servis s garancí výměny zařízení do 48 hodin.