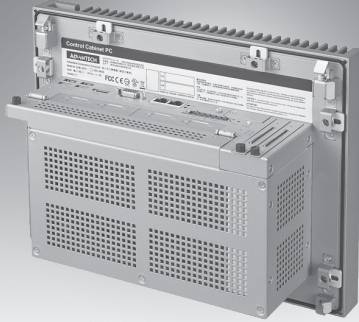


# UNO-3483G

## Intel® Core™ i7 Control Cabinet PC w/ 2 x GbE, 2 x mPCIe, HDMI/VGA

NEW



### Features

- 3rd Generation Intel® Quad Core processors with 8GB DDR3L memory
- 2 x GbE, 2 x USB 2.0, 2 x USB 3.0, 1 x RS-232, 1 x RS-422/485 (pin header), 1 x VGA, 1 x HDMI
- 1 x PCIe4, 3 x mPCIe (2 x full, 1 x half), 1 x mSATA slot
- Space-saving compact with fanless design
- Thumb screws for easy maintenance
- Hot-swappable HDD/SSD support for RAID 0/1
- High protection IP67 certification
- Convenient "place & click"
- Easily exchangeable RTC battery
- Supports Fieldbus protocol by iDoor Technology
- 3G/GPS/GPRS/Wi-Fi communication by iDoor technology
- Supports MRAM by iDoor technology
- LAN redundancy (teaming)

### Introduction

Advantech's UNO-3483G Control Cabinet PC is configured with high-performance Intel Core i7 processors and QM77 PCH, which supports two displays, four USB ports, two mPCIe sockets, and up to three expansion slots. It also includes iDoor technology which supports automation feature extensions such as industry Fieldbus communication, Wi-Fi/3G, and Digital I/O. The UNO-3483G has a compact heat sink with integrated seals mounted on the outside of the cabinet through a corresponding cutout; it has a place-and-click feature that considers users' activities and then simplifies the installation procedure to conserve space and to maintain IP67 protection. The high performing UNO-3483G model offers maximum flexibility when selecting the control cabinet, and remains independent of the number and form of control buttons and switches on the front panel.

### Specifications

#### General

- **Certification** CE, FCC, UL, BSMI
- **Dimensions (W x D x H)** 305 x 82 x 225 mm (12" x 3.2" x 8.9")
- **Form Factor** Regular Size
- **Enclosure** Aluminum Housing
- **Mounting** Enclosure mounting
- **Weight (Net)** 4.9kg (10.8lbs)
- **Power Requirements** 12V/24V<sub>DC</sub> ± 20%
- **Power Consumption** 50W (Typical), 100W (Max)
- **OS Support** WIN7/8, WES7, WES-2009, Linux

#### System Hardware

- **BIOS** AMI UEFI 128Mbit Flash BIOS
- **Watchdog Timer** Programmable 255 levels timer interval, from 1 to 255 sec
- **Processor** Intel® Core™ i7-3612QE QC 2.1GHz Ivy Bridge Quad Core, 6MB L2
- **System Chip** Integrated Intel 8 Series Chipset
- **Memory** Build-in 8GB DDR3L 1333 MHz
- **Graphics Engine** Intel® HD Graphics
- **Ethernet** LAN A: Intel® 82579LM GbE, Intel® AMT, IEEE802.1AS, 802.3az  
LAN B: Intel® 82583V GbE, IEEE802.1AS, 802.3az
- **LED Indicators** LEDs for Power, LAN (Active, Status), COM (Tx/Rx) and HDD
- **Storage** One mSATA slot  
Two built-in 2.5" SATA HDD brackets with support for RAID 0/1. (Compatible with 9.5mm height HDD)
- **Expansion** 1 x PCIe4, 2 x Full-size mPCIe, 1 x half-size mPCIe

#### I/O Interfaces

- **Serial Ports** 1 x RS-232, DB9, 50~115.2kbps (pin header)  
1 x RS-422/485, DB9, auto flow control, 50~115.2kbps (pin header)
- **LAN Ports** 2 x RJ45, 10/100/1000 Mbps IEEE 802.3u  
1000BASE-T Fast Ethernet

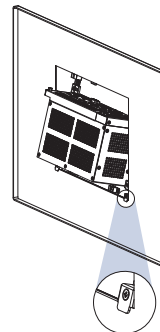
- **USB Ports** 4 x USB Ports (2 x USB 2.0, 2 x USB 3.0 compliant)
- **Displays** 1 x VGA, supports 1920 x 1080 @ 60Hz 24bpp  
1 x HDMI 1.4a, supports 1920 x 1080 @ 60Hz 24bpp
- **Audio** Mic-in, Line-In, Line-Out (Pin Header)
- **Power Connector** 1 x 7 Pin, Terminal Block to support dual power input and remote power control

#### Environment

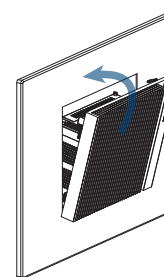
- **Operating Temperature** - 20 ~ 60°C (-4 ~ 140°F) @ 5 ~ 85% RH with 0.7m/s airflow (Industry SSD)  
- 40 ~ 85°C (-40 ~ 185°F)
- **Storage Temperature** - 40 ~ 85°C (-40 ~ 185°F)
- **Relative Humidity** 10 ~ 95% RH @ 40°C, non-condensing
- **Shock Protection** Operating, IEC 60068-2-27, 50G, half sine, 11ms
- **Vibration Protection** Operating, IEC 60068-2-64, 2Grms, random, 5 ~ 500Hz, 1hr/axis (mSATA)
- **Ingress Protection** Integrated seals maintain IP67 protection

### Installation Scenario

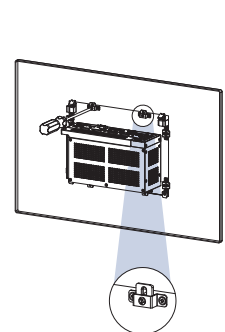
#### STEP 1



#### STEP 2

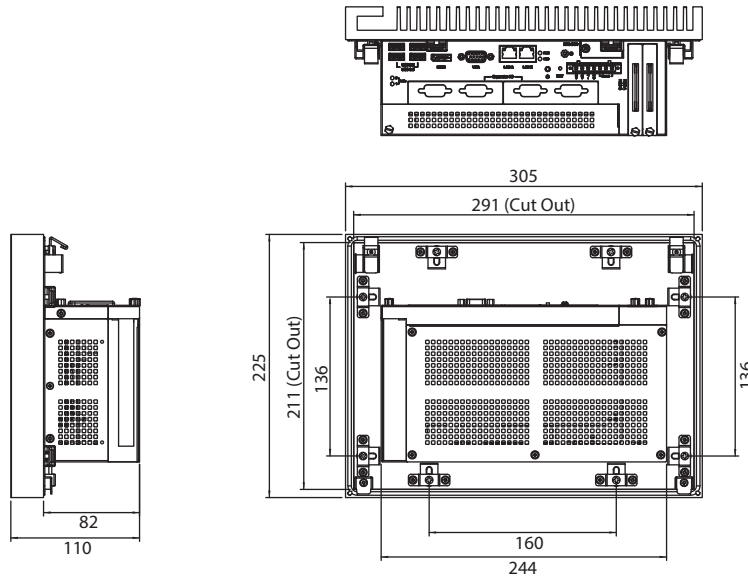


#### STEP 3

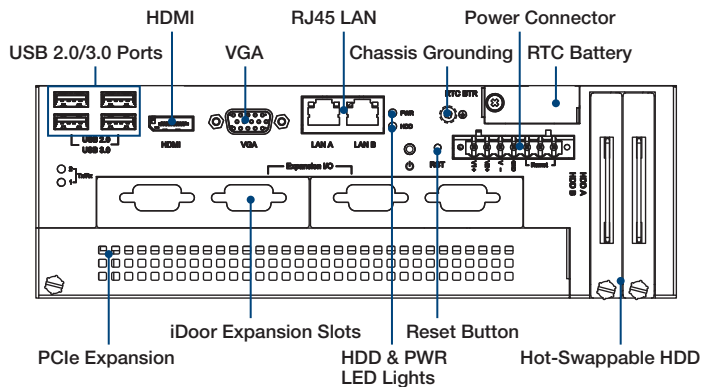


## Dimensions

Unit: mm



## I/O View



## iDoor Modules

- **PCM-24R2PE-AE** Intel i350, GbE, PoE IEEE 802.3af, PD, RJ45 x 2
- **PCM-24S2WF-BE** 802.11 a/b/g/n/ac 2T2R w/BT4.1, Atheros QCA6174A
- **PCM-26D2CA-AE** SJA1000 CANbus, CANopen, DB9 x 1
- **PCM-24D2R4-BE** 2-Ports Isolated RS-422/485 mPCIe, DB9
- **PCM-24D2R2-BE** 2-Ports Isolated RS-232 mPCIe, DB9
- **PCM-24D4R4-BE** 4-Ports Non-Isolated RS-422/485 mPCIe, DB37
- **PCM-24D4R2-BE** 4-Ports Non-Isolated RS-232 mPCIe, DB37
- **PCM-27D24DI-AE** 24-Channels Isolated Digital I/O with counter mPCIe, DB37
- **PCM-24R1TP-AE** 1-Port Gigabit Ethernet, Intel® 82574L, mPCIe, RJ45

## Optional Accessories

- **96PSA-A150W19P4-1** 150W AC to DC power adapter
- **1702002600** Power cable US Plug 1.8 M
- **1702002605** Power cable EU Plug 1.8 M
- **1702031801** Power cable UK Plug 1.8 M
- **1700000596** Power Cable China/Australia Plug 1.8 M

## Ordering Information

- **UNO-3483G-374AE** Intel® Core™ i7-3612QE QC 2.1GHz, 8GB, 2 x LANs, 1 x PCIe4, 2 x Full-size mPCIe, 1 x half-size mPCIe

## User scenario



## Embedded O/S

- **2070013472** Image WES7P X64 MUI. for UNO-3483G
- **2070013473** Image Linux for UNO-3483G

# Tento produkt můžete zakoupit u společnosti AutoCont IPC a.s.



## AutoCont IPC a.s.

Váš dodavatel průmyslových počítačů, komponent a speciálních průmyslových IT systémů.

 Uhlířská 1064/3, 710 00 Ostrava, Česká republika

 obchod@autocont-ipc.cz

 +420 552 301 002

 [www.autocont-ipc.cz](http://www.autocont-ipc.cz)



### PRŮMYSLOVÉ POČÍTAČE

*fanless embedded PC, do racku, ...*



### POČÍTAČE S DISPLEJEM

*panelové PC, terminály, do vozidel, ...*



### AUTOMATIZACE A SBĚR DAT

*převodníky, karty, moduly, switche, ...*



### PERIFERIE A KOMPONENTY

*monitory, klávesnice, desky, skříně, ...*



### NOTEBOOKY A TABLETY

*odolné, windows, android, IP65, ...*



### INFORMAČNÍ KIOSKY

*interiérové, venkovní, ...*



### MEDICÍNSKÁ TECHNIKA

*počítače, tablety, LCD, klávesnice, ...*



### SOFTWAREVÁ ŘEŠENÍ

*pro výrobu, zaměstnance, kiosky, ...*



### PŘEJÍT DO E-SHOPU

[eshop.autocont-ipc.cz](http://eshop.autocont-ipc.cz)



### DOPRAVA ZDARMA

Doprava zdarma v ČR a SR při objednávce nad 10 000 Kč bez DPH nebo nad 400 EUR.



### PRODLOUŽENÁ ZÁRUKA

Záruka 2 roky na vyráběné počítače s možností jejího prodloužení až na 5 let.



### ODMĚNA ZA VĚRNOST

Pravidelní zákazníci u nás nakupují za nižší ceny. Výše slevy se odvíjí od realizovaného obrátu.



### SERVIS ON-SITE A IN-TIME

K projektovým dodávkám nabízíme rozšířenou podporu a servis s garancí výměny zařízení do 48 hodin.