

# POC-WP243

## 24" Widescreen Point-of-Care Terminal with IPS TFT Display and Intel 6th Generation Processor



### Features

- Runs on Intel® 6th generation, Skylake processor with a fanless, high performance profile
- 24" full HD resolution, IPS LCD with edge to edge, bezel-less design
- USB 3.0 and PCIe4 expansion slot, mini PCIe slot x 2
- Offers a multi-touch option to deliver a truly unmatched touchscreen experience
- IP54 enclosure to protect against dust and water splashing for ease of cleaning
- Isolated design provides unique electric leakage protection for COM ports, and LAN ports, and optional USB port
- Optional DVD, Bluetooth, RFID, inner WLAN module, auto-focus 5M pixel camera, IEEE1394 and M.2 SSD
- Support Intel® firmware trusted platform module (TPM) with Intel® Platform Trust Technology (Intel® PTT)

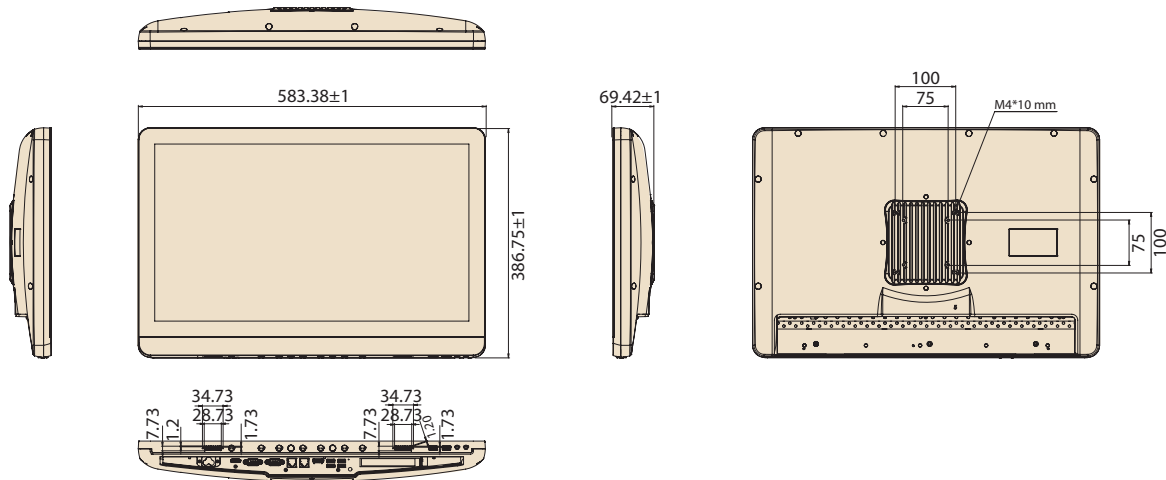
### Specifications

Computing System	CPU	Intel® Core™ i7-6600U Processor (4M Cache, up to 3.40 GHz) Intel® Core™ i5-6300U Processor (3M Cache, up to 3.00 GHz) Intel® Core™ i3-6100U Processor (3M Cache, 2.30 GHz) Intel® Celeron® Processor 3955U (2M Cache, 2.00 GHz)	
	Memory	DDR4 2133 SODIMM (up to 32GB)	
	Graphics Controller	Intel HD Graphics 520/510	
	G-sensor	2g/+4g/-8g/±16g, 6D/4D orientation detection	
	Operating System (Optional)	Windows 7/ Windows 8.1 Industry Pro/ Windows 10 IoT	
Display	Display Size	23.8" wide TFT color LCD (16:9)	
	Type	IPS	
	Max. Resolution	1920 x 1080	
	Max. Colors	16.7 M colors (6-bits+A-FRC)	
	Pixel Pitch (um)	247.5 x 247.5	
	Luminance	250 cd/m <sup>2</sup>	
	Backlight	LED	
	LCD MTBF	30,000 Hours	
Expansion Slot	Mini PCIe (mSATA)	2 (Mini PCIe: 1 full-size, 1 half-size)	
	PCIe	1x PCIe (x4) slot (Max. card length: 167.65mm)	
I/O Ports	Serial Ports	2 x RS-232/422/485 (isolated) serial port	
	USB 3.0 ports	2 x USB 3.0 ports (rear)	
	USB 2.0 Ports	2 x USB 2.0 ports (front) 2 x USB 2.0 ports (rear)	
	LAN	2 x Gigabit Ethernet (1.5KV isolated) interfaces (RJ-45)	
	HDMI	1 x HDMI max resolution 4096 x 2304 @ 24Hz	
	Displayport	1 x DP max resolution 4096 x 2304 @ 60Hz	
Storage	Audio	2 x 2W speakers; 1 x MIC-in and speaker-out	
	SSD (Default)	128GB SSD	
Power Supply	HDD/mSATA (Optional)	2.5" SATA HDD instead of SSD*, Mini PCIe mSATA	
	Input Voltage	100 - 240 V <sub>AC</sub> , 47Hz to 63Hz, Maximum output power 150W	
	Output Voltage	12.0 V ± 2%, 0A to 8.30A (at convection)	
Optional Functions	WLAN & Bluetooth	Qualcomm Atheros Dual-band (2.4/5GHz) 802.11 a/b/g/n/ac 2Tx/2Rx WiFi & Bluetooth v4.1	
	RFID*	13.56MHz, ISO-15693, ISO-14443A, ISO-14443B	
	Camera*	Auto-focus 5M pixel camera	
	Smart Card Reader*	Complies with ISO7816-1,2,3,T=1 and T=0 protocol	
Optional Touchscreen	DICOM*	DICOM preset	
	Type	Projected Capacitive 10-points (Clear)	Projected Capacitive 10-point (AG)
	Resolution	Continuous	Continuous
	Light Transmission	90%	80%
	Controller	USB interface	USB interface
IP Rating	Durability	>100 million touches	
	Front Panel	IP65	
Certifications	Entire System	IP54	
		IEC 60601-1 Edition 3.1 compliance, CE & FCC Class B Edition 4.0 certified	
Environment	Temperature	Operating: 0° C ~ +40° C, Storage: -20° C ~ +60° C	
	Humidity	Operating: 10% ~ 90% @ 40° C non-condensed; Storage: 5% ~ 90% @ 40° C non-condensed	
	Shock Resistance	20G peak acceleration (11ms duration)	
Physical Characteristics	Dimensions (W x D x H)	583 x 386 x 69 mm (22.95" x 15.19" x 2.71")	
	Weight (Bare system)	7.95 kg (17.52 lb.)	
	VESA Mount	100 x 100; 75 x 75	

\* = Customized solution contact Advantech sales team for more information

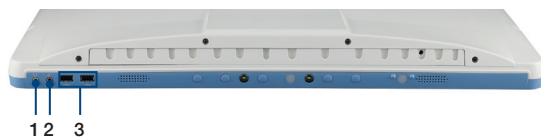
## Dimensions

Unit: mm



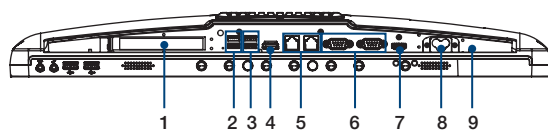
## I/O Ports

### Front



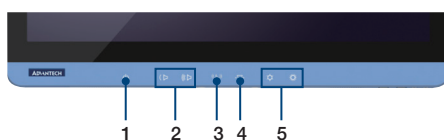
- (1) Speaker Out
- (2) MIC-in
- (3) 2 USB 2.0

### Rear



- 1. PCIe (x4) card slot
- 2. 2 x USB 2.0 ports
- 3. 2 x USB 3.0 ports
- 4. Displayport
- 5. 2 x Gigabit Ethernet interfaces (RJ-45)
- 6. 2 x RS-232/422/485 (isolated) serial port
- 7. HDMI
- 8. AC in
- 9. Equipotential Terminal Pin

## Front Function Keys



- (1) Power
- (2) Volume Down/Up
- (3) Touchscreen Status Control
- (4) Read Light Control
- (5) Brightness Decrease/Increase

## Ordering Information

Part Number	CPU	DRAM	Touch Panel	SSD
POC-WP243-A11D-ACE	Core i7-6600U 2.6G	4GB	P-CAP	128GB
POC-WP243-B11D-ACE	Core i5-6300U 2.4G	4GB	P-CAP	128GB
POC-WP243-C11D-ACE	Celeron 3955U 2.0G	4GB	P-CAP	128GB

## iDoor Module

Option	Description
Option 1	USB2.0 2 port card
Option 2	IEEE 1394 Firewire card
Option 3	RS-232/422/485 2-port card

## Accessories

Part Number	Description
1700008921	POWER CORD 3P/3P POWER SUPPLY 1.83M ARK-5280 PSE (JPN)
1700001524	Power Cord 3P UL 10A 125V 180cm (US)
170203183C	POWER Cord 3P Europe (WS-010+WS-083)183cm

## Optional Modules

Part Number	Description
POC-W243-WF3E	WLAN (802.11 a/b/g/n/ac) and Bluetooth 4.1 Module

For information about 5M Pixel camera, DICOM, RFID & Smart card, contact Advantech sales team

## PCIe Module

Part Number	Description
96SER-9PN-2P-PE-UP	UPMOST RS-232 CARD 9PIN 2PORT PCIe(G)
XAEU-UTB101	UPMOST UTB101 1394A EXPANSION CARD
PCIIE-1602C-AE	2-port RS-232/422/485 PCIe Comm. Card w/Iso
DMS-IR06-00A1E	Dual LAN port
PCI-USB4-00A1E	4 USB3.0 Ports expansion card(PCIex4)

# Tento produkt můžete zakoupit u společnosti AutoCont IPC a.s.



## AutoCont IPC a.s.

Váš dodavatel průmyslových počítačů, komponent a speciálních průmyslových IT systémů.

 Uhlířská 1064/3, 710 00 Ostrava, Česká republika

 [obchod@autocont-ipc.cz](mailto:obchod@autocont-ipc.cz)

 +420 552 301 002

 [www.autocont-ipc.cz](http://www.autocont-ipc.cz)



### PRŮMYSLOVÉ POČÍTAČE

*fanless embedded PC, do racku, ...*



### POČÍTAČE S DISPLEJEM

*panelové PC, terminály, do vozidel, ...*



### AUTOMATIZACE A SBĚR DAT

*převodníky, karty, moduly, switche, ...*



### PERIFERIE A KOMPONENTY

*monitory, klávesnice, desky, skříně, ...*



### NOTEBOOKY A TABLETY

*odolné, windows, android, IP65, ...*



### INFORMAČNÍ KIOSKY

*interiérové, venkovní, ...*



### MEDICÍNSKÁ TECHNIKA

*počítače, tablety, LCD, klávesnice, ...*



### SOFTWAREVÁ ŘEŠENÍ

*pro výrobu, zaměstnance, kiosky, ...*



### PŘEJÍT DO E-SHOPU

[eshop.autocont-ipc.cz](http://eshop.autocont-ipc.cz)



### DOPRAVA ZDARMA

Doprava zdarma v ČR a SR při objednávce nad 10 000 Kč bez DPH nebo nad 400 EUR.



### PRODLOUŽENÁ ZÁRUKA

Záruka 2 roky na vyráběné počítače s možností jejího prodloužení až na 5 let.



### ODMĚNA ZA VĚRNOST

Pravidelní zákazníci u nás nakupují za nižší ceny. Výše slevy se odvíjí od realizovaného obrátu.



### SERVIS ON-SITE A IN-TIME

K projektovým dodávkám nabízíme rozšířenou podporu a servis s garancí výměny zařízení do 48 hodin.