

# HIT-R181

## New Revolutionary 18.5" Healthcare/ Hospitality Infotainment Terminals



### Features

- Industrial design in slim and stylish form factor for healthcare and hospitality applications
- Multiple platforms in low power and fan-less design
- Easy to clean, full-flat front touch panel with IP rating compliant
- Camera cover available to enhance patients' privacy
- VESA 75/100 standard mounting holes
- Programmable touch hotkeys on front panel
- Rich peripherals - Handset/MSR/RFID/WiFi/HDMI-In/Out/TV Tuner/Smart Card Reader
- ITE & Medical dual certification (EN-60950 & EN-60601-1)



### Introduction

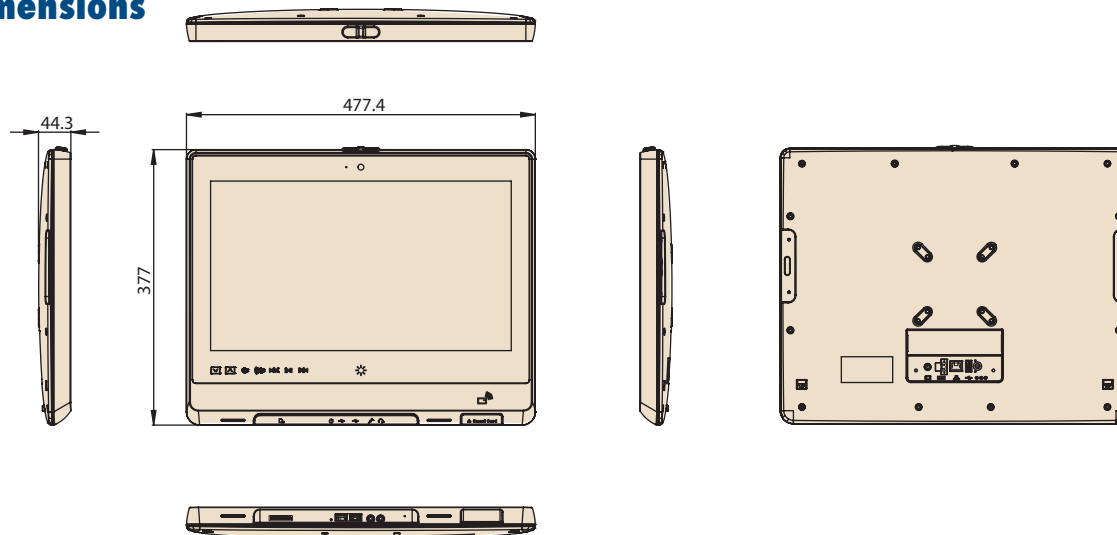
HIT-R181 is a new generation of HIT-Series, featuring a 45mm thin body enclosure, USB 3.0, 5M Pixel Camera, HDMI In/Out, Dual Smart Card and Dual Ethernet. These new features can let hospital effortlessly and economically establish their IT infrastructure. Privacy is always the concern in the clinic environment. With camera cover and optional privacy screen, patient will be satisfied by the quality of service during their stays. The performance of HIT-R181 is amazing which can provide patients various entertainment programs such as TV, movies or computer games. The terminal can run seamlessly with Microsoft Windows Embedded OS on the latest BayTrail Quad Core processor and Linux OS on Freescale iMX6 processor.

### Specifications

Hardware	CPU	Intel Celeron QC J1900 2.0GHz Processor
	Memory	DDR3L 2GB/4GB (MAX)
	Primary Storage	500GB 2.5" SATA HDD
	Extend Storage	NA
	Camera	5M CMOS with LED Indicator & Button
	Bus Expansion	Half Mini-PCIe x 1, Full Mini-PCIe x 1
Display	Size	18.5" W TFT LED
	Max Resolution	1366 x 768
	Luminance	250 cd/m <sup>2</sup>
	Contrast Ratio	1000:1
Touchscreen	Type	Resistive 5 wires (Flat Glass) / Projected Capacitive (Flat Glass)
	Durability	30 million touches
Front Button	Hotkey	Default (1 key): Display On/Off with light indicator Optional (8 keys): Display on/off, Play/pause, forward, reserve, CH+, CH-, Vol+, Vol-
	I/O Ports	USB 3.0
USB 2.0		2 (Bottom)
HDMI Out		1 (Rear)
SD Slot		NA
Smart Card Reader		1
RFID		1
Headphone out		1
Microphone in		1
Handset out		1
Phoenix Port		1
DC-in		1
TV Tuner (SMA Jack)		1
Power Button		1
Audio	Speaker	2 watt x 2, Audio output control via GPIO
	Internal Microphone	1
Network	LAN (Isolated)	10/100/1000 RJ-45 x 1
	Bluetooth	BT4.0(Optional)
	WLAN	802.11 a/b/g/n (Optional)
Software	OS	Embedded Linux 3.0, Android 4.x Embedded 7 Standard, 7 Pro, 8 Standard, 8 Pro
	Mechanical	Mounting
Dimensions ( W x H x D)		477.4 x 377.0 x 44.3 mm
Weight		Net Weight: 4.6kg (10.14lb) without adapter Gross Weight: 7kg (15.43lb)
Option	2nd Ethernet (w/o WOL), HDMI In (1080p Capture), or TV Tuner	Optional (Built-in Module)
	2nd Smart Card Reader	Optional (Built-in Module)
	MSR	Optional (Add-On Module)
	Finger Scanner	Optional (Add-On Module)
	Handset	Optional (Add-On Module)
	HDMI-I video capture	Optional (Rear I/O)

## Dimensions

Unit: mm



## Specifications (Cont.)

Power Supply	AC/DC Adapter	
	Input Voltage	100 ~ 240 V <sub>AC</sub> , 1.1 ~ 0.45 A @ 47~ 63 Hz
	Output Voltage	IT or Medical 12~19 V <sub>DC</sub> , 3.5A
Environment	Operating Temperature	0 ~ 40° C
	IP Rating	IP65 Front Panel
	Vibration	1 G
	Shock	10 G peak acceleration (11 msec. duration)
	EMC & Safety Cert.	CE, FCC, CCC, BSMI, CB, UL ITE & Medical, EN 60950 & 60601-1 approved

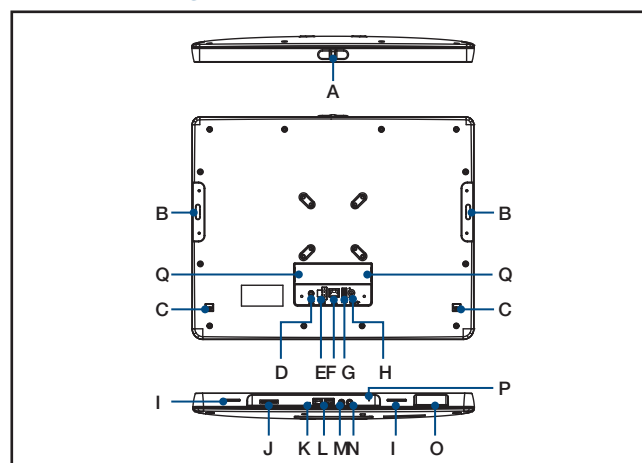
## Ordering Information

Part Number	Description
HIT-R181BR-AMW1E	18.5" Wide Screen, Intel J1900, Resistive Touch, 4G RAM, 500G HDD, Smart Card Reader, Camera, WiFi, BT, RFID, Medical Adapter, Win8 Embedded Standard
HIT-R181BP-AMW1E	18.5" Wide Screen, Intel J1900, Pcap Touch, 4G RAM, 500G HDD, Smart Card Reader, Camera, WiFi, BT, RFID, Medical Adapter, Win8 Embedded Standard

## Accessories

Part Number	Description
HIT-R181-HSK0E	HIT-R181 Handset Kit

## Fully- Integrated I/O



- |  |   |
|--|---|
| A. Camera Cover Button                       | J. SD Slot (iMX6 Only)                        |
| B. Handset Docking                           | K. Power Button                               |
| C. RJ12 Handset Connector                    | L. USB 2.0 x2 (BayTrail)<br>USB 2.0 x1 (iMX6) |
| D. TV SMA Jack (Optional)                    | M. Mic In                                     |
| E. Phoenix Port                              | N. Headphone Out                              |
| F. RJ45                                      | O. Smart Card Reader                          |
| G. USB 3.0 (BayTrail Only)<br>USB 2.0 (iMX6) | P. Internal Mic                               |
| H. DC-In                                     | Q. HDMI (Optional)                            |
| I. Speaker                                   |   |

# Tento produkt můžete zakoupit u společnosti AutoCont IPC a.s.



## AutoCont IPC a.s.

Váš dodavatel průmyslových počítačů, komponent a speciálních průmyslových IT systémů.

 Uhlířská 1064/3, 710 00 Ostrava, Česká republika

 obchod@autocont-ipc.cz

 +420 552 301 002

 [www.autocont-ipc.cz](http://www.autocont-ipc.cz)



### PRŮMYSLOVÉ POČÍTAČE

*fanless embedded PC, do racku, ...*



### POČÍTAČE S DISPLEJEM

*panelové PC, terminály, do vozidel, ...*



### AUTOMATIZACE A SBĚR DAT

*převodníky, karty, moduly, switche, ...*



### PERIFERIE A KOMPONENTY

*monitory, klávesnice, desky, skříně, ...*



### NOTEBOOKY A TABLETY

*odolné, windows, android, IP65, ...*



### INFORMAČNÍ KIOSKY

*interiérové, venkovní, ...*



### MEDICÍNSKÁ TECHNIKA

*počítače, tablety, LCD, klávesnice, ...*



### SOFTWAREVÁ ŘEŠENÍ

*pro výrobu, zaměstnance, kiosky, ...*



### PŘEJÍT DO E-SHOPU

[eshop.autocont-ipc.cz](http://eshop.autocont-ipc.cz)



### DOPRAVA ZDARMA

Doprava zdarma v ČR a SR při objednávce nad 10 000 Kč bez DPH nebo nad 400 EUR.



### PRODLOUŽENÁ ZÁRUKA

Záruka 2 roky na vyráběné počítače s možností jejího prodloužení až na 5 let.



### ODMĚNA ZA VĚRNOST

Pravidelní zákazníci u nás nakupují za nižší ceny. Výše slevy se odvíjí od realizovaného obrátu.



### SERVIS ON-SITE A IN-TIME

K projektovým dodávkám nabízíme rozšířenou podporu a servis s garancí výměny zařízení do 48 hodin.