

AIM-68

10.1" Industrial Tablet with Intel® Atom™ Processor



Features

- Intel® Atom™ processor with support for Windows 10 IoT and Android 6.0
- 10.1" WUXGA full HD display with scratch-resistant Corning® Gorilla® Glass 3 and multi-touch PCAP control
- WLAN, BT, NFC, 3G/4G LTE technologies for seamless communication
- Optional extension modules such as 1D/2D barcode scanner, LAN+COM module, and UHF RFID reader module
- Optional accessories include an active stylus pen, hand strap, shoulder strap, as well as vehicle, VESA, and office docking stations
- Additional modules and accessories can be customized according to application requirements



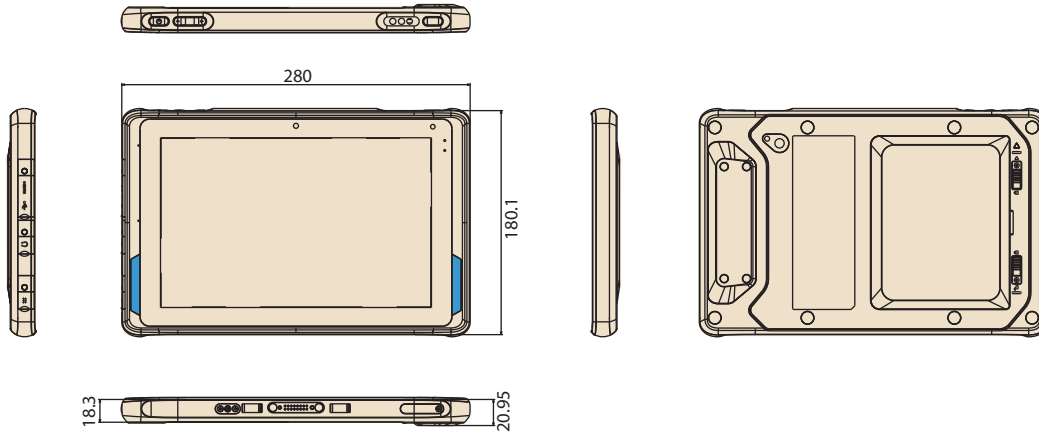
Specifications

| | | |
|----------------------------|------------------------|--|
| System | Processor | Intel® Atom™ x7-Z8750 quad-core, 1.6 GHz (2M cache, up to 2.56 GHz) |
| | Memory | 4 GB LPDDR3 |
| | OS | Windows 10 IoT Enterprise, Android 6.0 |
| Storage | eMMC | 64 GB |
| Display | Type | 10.1" FHD LCD |
| | Resolution | WUXGA 1920 x 1200 |
| | Brightness | 380 cd/m ² (optional 800 cd/m ²) |
| Touchscreen | Type | Corning® Gorilla® Glass 3 with 10-point P-CAP touch control |
| Audio | Speaker | 2 x Internal speakers (2 W) |
| | Audio Jack | 1 x Audio combo jack (combines stereo audio output and mono microphone input) |
| Camera | Front | 2.0-megapixel fixed-focus camera |
| | Rear | 5.0-megapixel auto-focus camera with LED flash |
| Sensors | | Ambient light sensor, e-compass, G-sensor, gyroscope |
| Barcode Scanner (Optional) | | Integrated 1D/2D barcode scanner |
| I/O Interface | Standard I/O | 1 x Micro HDMI, 1 x USB 3.0, 1 x combo audio jack, 1 x 19 VDC-in jack, 1 x SIM card reader, 1 x micro SD card reader |
| | Extended I/O | 1 x AIM extension 14-pin pogo connector, 1 x USB 2.0, 1 x 2-wire UART, 5V/1A power |
| | Docking | 1 x AIM docking 16-pin pogo connector, 1 x USB 3.0, 9V power |
| | Buttons | 1 x Power button, 2 x volume keys (up/down), 1 x programmable function key |
| | LED Indicator | Full: green (100%); Charging: blue; Low: red (≤10%) |
| Wireless Communication | WLAN/Bluetooth | IEEE 802.11a/b/g/n/ac, Bluetooth® v4.1 |
| | WWAN (Optional) | 4G LTE multi-device broadband |
| | NFC | 13.65 MHz, compatible with ISO15693, ISO14443A, ISO 14443B, FeliCa |
| Power System | Input Voltage | DC jack: 19V/3.41A Docking pogo: 9V/2A |
| | Battery | Hot-swappable smart battery with capacity LED indicators; Capacity: 26 WHr Operating time: Approximately 5.5 hr (depending on usage scenario*) Charging time: < 3 hr |
| Mechanical | Dimensions (W x D x H) | 280 x 18.3 x 180.1 mm (11 x 0.7 x 7.1 in) |
| | Weight | 980 g (2.2 lb) |
| Environment | Operating Temperature | -10 ~ 50 °C (14 ~ 122 °F) |
| | Storage Temperature | -20 ~ 70 °C (-4 ~ 158 °F) |
| | IP Rating | IP65 |
| | Shock | Operating: 10 ~ 20 G, 11 ms; Non-operating: 50 G, 11 ms |
| | Vibration | Operating: (5 ~ 500 Hz) 0.5 ~ 1 G; Non-operating: (5 ~ 500 Hz) 0.04 PSD |
| | Humidity | Operating: 10 ~ 90% @ 40 °C non-condensing Storage: -10 ~ 95% non-condensing |
| | Altitude | Operating: sea level 0 to 3048 m (10k ft); Storage: sea level 0 to 12192 m (40k ft) |
| | Drop Tested | Up to 120 cm (4 ft) onto plywood over concrete |
| | Safety/EMC | UL, CB, LVD + Energy Star 6.1, CE, FCC, IC, VCCI, BSMI |
| | Certifications | FCC ID, TELEC, NCC, SRRC, RCM |

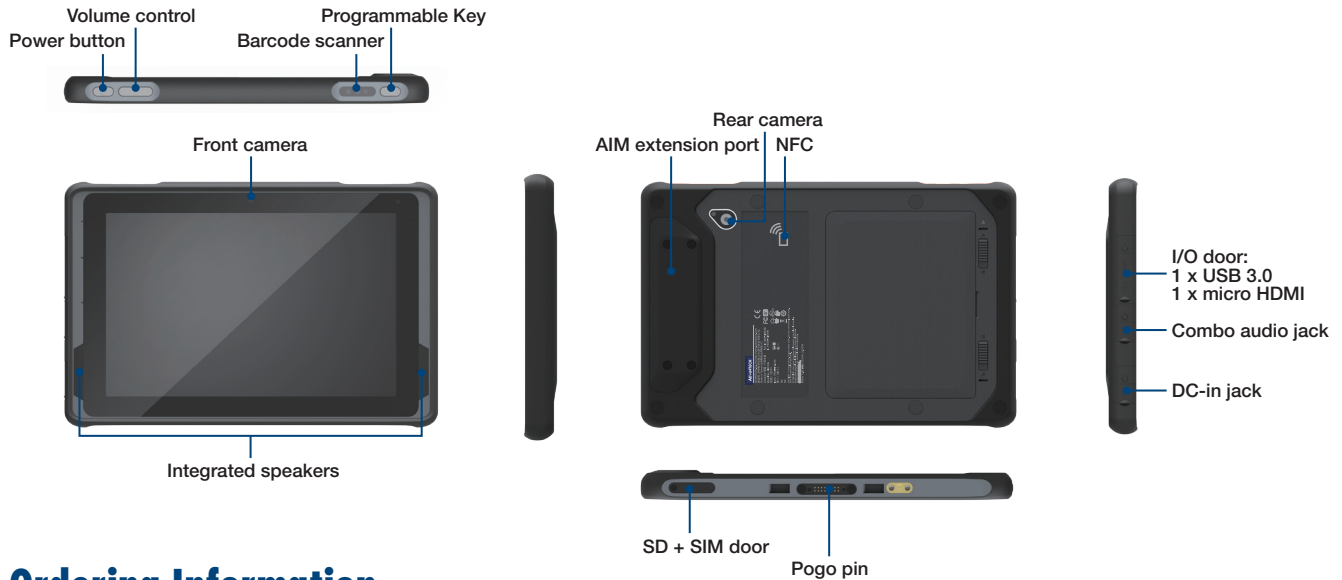
*Testing method: JEITA 2.0. The battery duration and recharge time may vary according to different factors such as screen brightness, applications, features, power management, battery condition, and other configurable settings.

Dimensions

Unit: mm



System I/O



Ordering Information

| Part Number | CPU | Memory | Storage | LCD | Barcode | NFC | Wi-Fi/BT | Wi-Fi Pass Through | LTE+GPS | F-Camera | R-Camera | OS |
|-------------------|-------------------|--------|---------|----------|---------|-----|----------|--------------------|---------|----------|----------|-----------------------|
| AIM-68CT-C2101000 | Intel CHT I Z8750 | 4 GB | 64 GB | 380 nits | X | V | V | X | X | 2M | 5M | Win 10 IoT Enterprise |
| AIM-68CT-C21B1000 | Intel CHT I Z8750 | 4 GB | 64 GB | 380 nits | V | V | V | X | X | 2M | 5M | Win 10 IoT Enterprise |
| AIM-68CT-C2103000 | Intel CHT I Z8750 | 4 GB | 64 GB | 380 nits | X | V | V | X | V (NA) | 2M | 5M | Win 10 IoT Enterprise |
| AIM-68CT-C2105000 | Intel CHT I Z8750 | 4 GB | 64 GB | 380 nits | X | V | V | X | V (EU) | 2M | 5M | Win 10 IoT Enterprise |
| AIM-68CT-C2104000 | Intel CHT I Z8750 | 4 GB | 64 GB | 800 nits | X | V | V | X | V (NA) | 2M | 5M | Win 10 IoT Enterprise |
| AIM-68CT-C2106000 | Intel CHT I Z8750 | 4 GB | 64 GB | 800 nits | X | V | V | X | V (EU) | 2M | 5M | Win 10 IoT Enterprise |
| AIM-68CT-C3101000 | Intel CHT I Z8750 | 4 GB | 64 GB | 380 nits | X | V | V | X | X | 2M | 5M | Android 6.0 |
| AIM-68CT-C31B1000 | Intel CHT I Z8750 | 4 GB | 64 GB | 380 nits | V | V | V | X | X | 2M | 5M | Android 6.0 |
| AIM-68CT-C3103000 | Intel CHT I Z8750 | 4 GB | 64 GB | 380 nits | X | V | V | X | V (NA) | 2M | 5M | Android 6.0 |
| AIM-68CT-C3105000 | Intel CHT I Z8750 | 4 GB | 64 GB | 380 nits | X | V | V | X | V (EU) | 2M | 5M | Android 6.0 |
| AIM-68CT-C3104000 | Intel CHT I Z8750 | 4 GB | 64 GB | 800 nits | X | V | V | X | V (NA) | 2M | 5M | Android 6.0 |
| AIM-68CT-C3106000 | Intel CHT I Z8750 | 4 GB | 64 GB | 800 nits | X | V | V | X | V (EU) | 2M | 5M | Android 6.0 |

Optional Accessories

| Part Number | Description |
|---------------|--|
| 1700001947 | Power cord UL 2P 7A 125 V 183 cm |
| 1700008972 | Power cord CCC 2P 2.5A 250 V 183 cm |
| 1700001948-11 | Power cord EU 2P 2.5A 250 V 183 cm |
| Y4AAIM10019 | AIM-68 adaptor (DC-in to 2-pin power cord) |

AIM-68 Packing List

| Description |
|----------------------------|
| 1 x AIM-68 |
| 1 x AC/DC adaptor |
| 1 x 2-pin power cord (USA) |

For sales inquiries or further information, please contact us at Mobile@advantech.com.tw

AIM-VEH10

Vehicle Docking Stations for AIM-68 Industrial-Grade Tablet



Features

- Compatible with 9 ~ 32 V_{DC} in-vehicle power supply
- Easy and instant single-handed docking and undocking
- Anti-theft locking mechanism
- External GPS antenna
- Programmable function keys
- High-density connectors
- Compliant with SAE J1455 for vibration and shock tolerance
- Safe and reliable design for vehicle applications

CE FCC CCC

Specifications

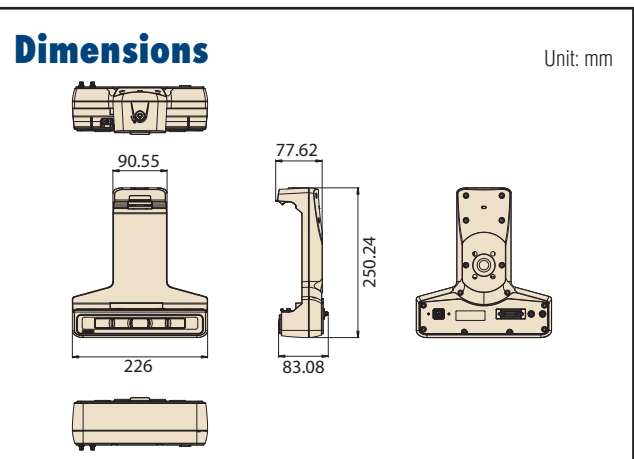
| | | Fully Configured Unit | Charging Dock Only |
|---------------|--------------------------|--|--------------------------|
| I/O | High-Density Connector | 1 x CAN bus (supports raw CAN, J1939, OBD-II/ISO 15765) with configurable firmware 5 x Digital inputs 1 x Odometer (supports dry and wet contact) with configurable and switchable firmware (default wet contact) 2 x Digital outputs (supports speed pulse) 1 x RS-232 (4 wire) 1 x RS-232/485 (2 wire) (default RS-485, termination enabled) 1 x USB 2.0 1 x Power input 12 V 1 A | 1 x Power input 12 V 1 A |
| GPS | GPS Extended | 1 x External GPS antenna | N/A |
| Function Keys | | 5 x Programmable function keys | N/A |
| Key Lock | | Anti-theft key lock (key can be removed) | N/A |
| Power | Input Voltage | Supports 12/24 V vehicle power (9 ~ 32 V _{DC} input range) | |
| Mechanical | Dimensions (W x D x H) | 226 x 78.6 x 250.24 mm (8.9 x 3.1 x 9.9 in) | |
| | Weight | 0.5 kg (1.10 lb) | |
| Environment | Operating Temperature | -10 ~ 50 °C (14 ~ 122 °F); 0 ~ 40 °C (32 ~ 104 °F) for charging | |
| | Storage Temperature | -30 ~ 80 °C (-22 ~ 176 °F) | |
| | IP Rating | IP54 | |
| | Vibration/Shock | SAE J1455 | |
| | Safety | UL, CB, LVD, CCC | |
| | Vehicle Power Regulation | ISO7637-2 | |
| | Certifications | CE, FCC, CCC | |

Ordering Information

| Part Number | Description |
|------------------|--|
| TBD | AIM vehicle docking station (full configuration) |
| TBD | AIM vehicle docking station (charging only) |
| 1700026766-01 | High-density cable |
| PWS-770-GPSAN00E | External GPS antenna |
| 1700027666-01 | Vehicle power cable (In-house engineer testing only) |
| 1700027665-01 | Vehicle power cable (vehicle battery) |

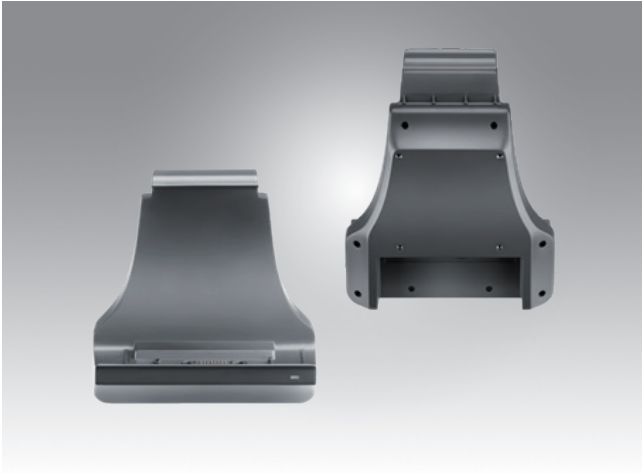
Packing List

| Description |
|---|
| 1 x AIM-VHE10 |
| 1 x Vehicle power cable (vehicle battery) |



AIM-VSD

VESA Docking Stations for AIM-68



Features

- 9 ~ 32 V wide input voltage range
- VESA (75 x 75 mm)-compliant docking stations
- -10 ~ 50 °C (14 ~122 °F) operating temperature
- Reliable docking connector for office applications

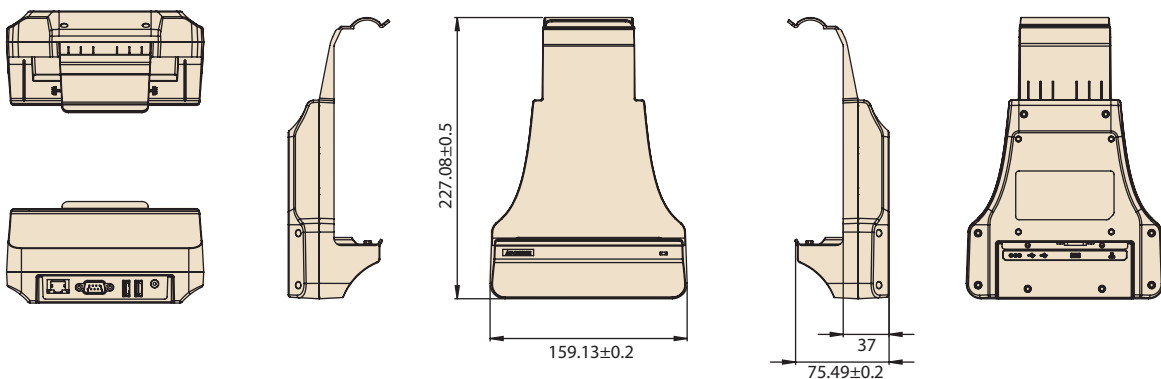
CE FCC

Specifications

| | | Advanced VESA Docking Station | VESA Docking Station with USB |
|-------------|------------------------|--|---|
| I/O | | 2 x USB 3.0/2.0 1 x RS-232 COM 1 x Gigabit LAN 1 x Power jack | 2 x USB 2.0 1 x Power jack |
| Stand | | N/A | N/A |
| Power | Input Voltage | 9 ~ 32 V | 19 V |
| Mechanical | Dimensions (W x D x H) | 159.13 x 75.49 x 227 mm (6.3 x 2.9 x 8.9 in) | 159.13 x 75.49 x 227 mm (6.3 x 2.9 x 8.9 in) |
| | Weight | 0.282 kg (0.62 lb) | 0.28 kg (0.61 lb) |
| Environment | Operating Temperature | -10 ~ 50 °C (14 ~122 °F); 0 ~ 40 °C (32 ~104 °F) for charging | -10 ~ 50 °C (14 ~122 °F); 0 ~ 40 °C (32 ~104 °F) for charging |
| | Storage Temperature | -20 ~ 70 °C (-4 ~ 158 °F) | -20 ~ 70 °C (-4 ~ 158 °F) |
| | Safety | UL, CB, LVD, CCC | UL, CB, LVD, CCC |
| | Certifications | CE, FCC, CCC | CE, FCC, CCC |

Dimensions

Unit: mm



Ordering Information

| Part Number | Description |
|---------------|--------------------------------------|
| AIM-VSD0-0470 | AIM 10 advanced VESA docking station |
| AIM-VSD0-0471 | AIM 10 VESA docking station with USB |

Packing List

| Description |
|-------------|
| 1 x AIM-VSD |

AIM-DDS

Desk Docking Stations for AIM-68



Features

- -10 ~ 50 °C (14 ~ 122 °F) operating temperature
- Reliable docking connector for office applications

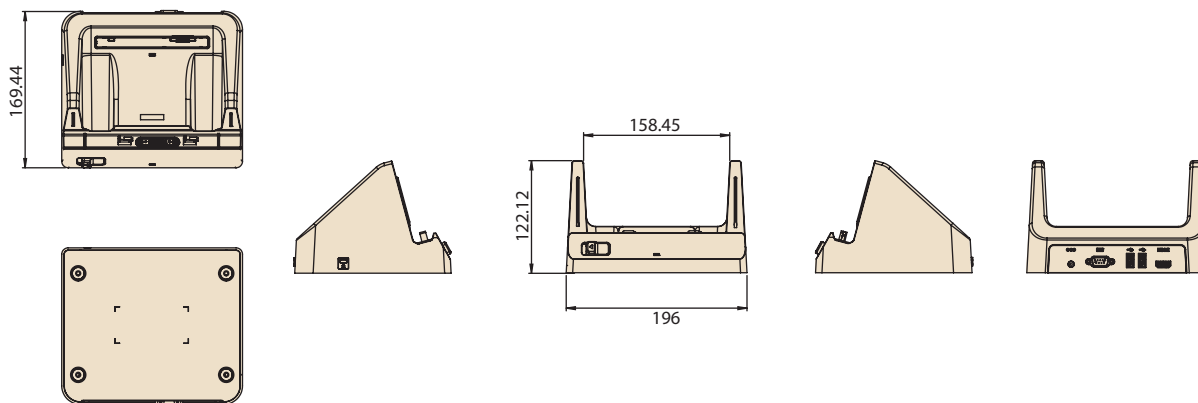
CE FCC CCC

Specifications

| | | AIM Advanced Desk Docking Station | AIM 10 Desk Docking Station |
|-------------|------------------------|---|--|
| I/O | | 2 x USB 2.0 1 x RS-232 COM 1 x Power jack 1 x HDMI 1 x Battery charging bay | 2 x USB 2.0 1 x Power jack |
| | Power | Input Voltage | 19 V |
| Mechanical | Dimensions (W x D x H) | 196 x 169.44 x 122.12 mm (7.72 x 6.67 x 4.81 in) | 196 x 169.44 x 122.12 mm (7.72 x 6.67 x 4.81 in) |
| | Weight | 0.745 kg (1.64 lb) | 0.73 kg (1.60 lb) |
| Environment | Operating Temperature | -10 ~ 50 °C (14 ~ 122 °F); 0 ~ 40 °C (32 ~ 104 °F) for charging | -10 ~ 50 °C (14 ~ 122 °F); 0 ~ 40 °C (32 ~ 104 °F) for charging |
| | Storage Temperature | -20 ~ 70 °C (-4 ~ 158 °F) | -20 ~ 70 °C (-4 ~ 158 °F) |
| | Safety | CE, FCC, CCC | UL, CB, LVD, CCC |
| | Certifications | UL, CB, LVD, CCC | CE, FCC, CCC |

Dimensions

Unit: mm



Ordering Information

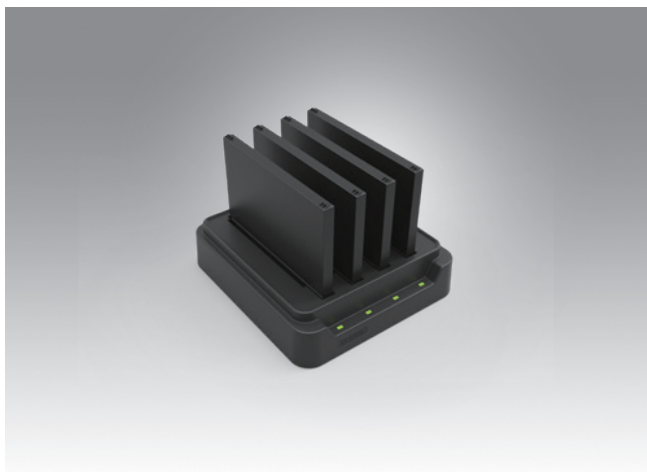
| Part Number | Description |
|---------------|-----------------------------------|
| AIM-OFDO-0480 | AIM 10 advanced desk dock station |
| AIM-OFDO-0481 | AIM 10 desk dock station |

Packing List

| Description |
|-------------|
| 1 x AIM-DDS |

AIM-MCS

Multi-Battery Charging Station for AIM



Features

- Supports charging of up to 4 batteries simultaneously
- Overcurrent and overvoltage protection provided
- LED indicators for monitoring charging status

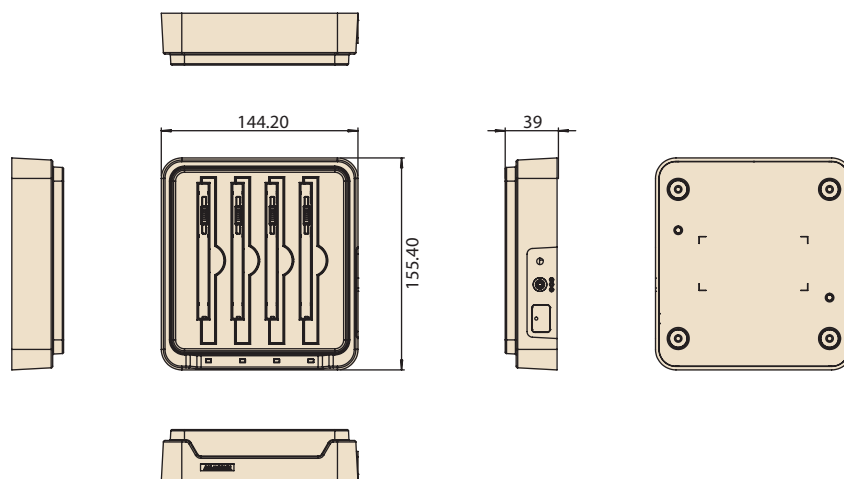


Specifications

| | | Multi-Battery Charging Station for AIM |
|-------------|------------------------|--|
| Capacity | Number of Bays | 4 |
| | Charging Current | 1 A |
| Power | Charging Voltage | 12.6 V |
| | Input Voltage | 19 V |
| | LED Indicators | Green: Full Amber: Charging Red: Error |
| Mechanical | Dimensions (W x D x H) | 144 x 155 x 39 mm (5.7 x 6.1 x 1.5 in) |
| | Weight | 0.48 kg (1.05 lb) |
| | Operating Temperature | 0 ~ 40 °C (32 ~ 104 °F) |
| Environment | Storage Temperature | -10 ~ 50 °C (14 ~ 122 °F) |
| | Safety | UL, CB, LVD, CCC, RCM |
| | Certifications | CE, FCC, CCC, RCM, BSMI |
| | | |

Dimensions

Unit: mm



Ordering Information

| Part Number | Description |
|---------------|--|
| AIM-MBC0-0051 | Multi-battery charging station for AIM |

Packing List

| Description |
|-------------------|
| 1 x AIM-MCS |
| 1 x AC/DC adaptor |

AIM-68 Extensions and Accessories

Extension Modules

Barcode Scanner (20°)



Barcode Scanner (70°)



LAN + COM Module



UHF RFID Reader



| Part Number | AIM-EXT0-0040 | AIM-EXT0-0041 | AIM-EXT0-0046 | AIM-EXT0-0047 (EU) AIM-EXT0-0049 (US) |
|-------------------|--|--|--|--|
| Features | <ul style="list-style-type: none"> ▪ Sensor: 640 x 480 CMOS sensor ▪ Illumination & Aiming: White LED illuminator/Red LED dot aimer ▪ Frame rate: 30 fps ▪ Field of view: Horizontal: 37.8°; Vertical: 28.8° | <ul style="list-style-type: none"> ▪ Sensor: 640 x 480 CMOS sensor ▪ Illumination & Aiming: White LED illuminator/Red LED dot aimer ▪ Frame rate: 30 fps ▪ Field of view: Horizontal: 37.8°; Vertical: 28.8° | <ul style="list-style-type: none"> ▪ 1 x 10/100 Ethernet port ▪ 1 x COM port | <ul style="list-style-type: none"> ▪ RFID output power: 25 watt ▪ RFID antenna type: Linear polarization ▪ Frequency: EU: 867 ~ 869MHz; US: 913 ~ 917 MHz ▪ Tag standard supported: EPC Class 2 Gen. 2/ ISO 18000-6C |
| Dimensions | 130.2 x 38.7 x 27.8 mm (5.12 x 1.52 x 1.09 in) | 130.2 x 38.7 x 32 mm (5.12 x 1.52 x 1.25 in) | 130.2 x 70 x 29 mm (5.12 x 2.75 x 1.14 in) | 130.2 x 63.6 x 65.9 mm (5.12 x 2.5 x 2.59 in) |
| Weight | 0.042 kg (0.092 lb) | 0.042 kg (0.092 lb) | 0.078 kg (0.171 lb) | 0.08 kg (0.176 lb) |

Accessories

Hand Strap



Shoulder Strap



Active Stylus



Battery with Meter



| Part Number | AIM-SRP0-0000 | AIM-SRP0-0001 | AIM-P704 | AIM-BATO-0452 |
|-------------------|---------------------------------|---|----------------------------------|--|
| Color | Black | Black | Black | Black |
| Dimensions | 240 x 20 mm (9.44 x 0.78 in) | 380 x 135 x 20 mm (14.96 x 5.31 x 0.78 in) | 140 x 9.7 mm (5.51 x 0.38 in) | 120 x 87 x 7.5 mm (4.72 x 3.43 x 0.30 in) |
| Weight | 0.022 kg (0.048 lb) | 0.05 kg (0.11 lb) | 0.02 kg (0.044 lb) | 0.147 kg (0.324 lb) |

Tento produkt můžete zakoupit u společnosti AutoCont IPC a.s.



AutoCont IPC a.s.

Váš dodavatel průmyslových počítačů, komponent a speciálních průmyslových IT systémů.

 Uhlířská 1064/3, 710 00 Ostrava, Česká republika

 obchod@autocont-ipc.cz

 +420 552 301 002

 www.autocont-ipc.cz



PRŮMYSLOVÉ POČÍTAČE

fanless embedded PC, do racku, ...



POČÍTAČE S DISPLEJEM

panelové PC, terminály, do vozidel, ...



AUTOMATIZACE A SBĚR DAT

převodníky, karty, moduly, switche, ...



PERIFERIE A KOMPONENTY

monitory, klávesnice, desky, skříně, ...



NOTEBOOKY A TABLETY

odolné, windows, android, IP65, ...



INFORMAČNÍ KIOSKY

interiérové, venkovní, ...



MEDICÍNSKÁ TECHNIKA

počítače, tablety, LCD, klávesnice, ...



SOFTWAREVÁ ŘEŠENÍ

pro výrobu, zaměstnance, kiosky, ...



PŘEJÍT DO E-SHOPU

eshop.autocont-ipc.cz



DOPRAVA ZDARMA

Doprava zdarma v ČR a SR při objednávce nad 10 000 Kč bez DPH nebo nad 400 EUR.



PRODLOUŽENÁ ZÁRUKA

Záruka 2 roky na vyráběné počítače s možností jejího prodloužení až na 5 let.



ODMĚNA ZA VĚRNOST

Pravidelní zákazníci u nás nakupují za nižší ceny. Výše slevy se odvíjí od realizovaného obrátu.



SERVIS ON-SITE A IN-TIME

K projektovým dodávkám nabízíme rozšířenou podporu a servis s garancí výměny zařízení do 48 hodin.