

EKI-1521 / CI / I

EKI-1522 / CI / I

EKI-1524 / CI / I

1-Port RS-232/422/485 Serial Device Server

2-Port RS-232/422/485 Serial Device Server

4-Port RS-232/422/485 Serial Device Server



EKI-1521

EKI-1522

EKI-1524



Features

- 2 x 10/100 Mbps Ethernet ports for LAN redundancy
- Provides COM port redirection (Virtual COM), TCP, and UDP operation modes
- Supports up to 921.6 kbps and any baud rate setting
- Allows a maximum of 5 hosts to access one serial port
- Allows a maximum of 16 hosts to be accessed in TCP client mode
- Built-in 15-kV ESD protection for all serial signals
- Provides rich configuration methods including Windows utility, Telnet console, and web browser
- Supports 32/64-bit Windows 2000/XP/Vista/7/8/8.1/10, Windows Server 2003/2008/2012, and Linux
- Automatic RS-485 data flow control
- Supports line-to-line (2 kV) and line-to-ground (4 kV) surge protection
- "I" models support a wide operating temperature
- "CI" models support isolation and a wide operating temperature

Introduction

The EKI-1521, EKI-1522, and EKI-1524 feature two independent Ethernet ports and MAC addresses to provide a redundant network mechanism that guarantees Ethernet network reliability. These serial device servers are designed to connect RS-232/422/485 serial devices such as PLC, meters, sensors, and barcode readers to an IP-based Ethernet LAN. They allow nearly any device with serial ports to connect and share an Ethernet network, while also providing various operations such as COM port redirection (Virtual COMport), TCP server, TCP client, and UDP mode. With COM port redirection mode, standard serial operation calls are transparently redirected to the servers, guaranteeing compatibility with legacy serial devices and enabling backward-compatibility with existing software. With TCP server, TCP client, and UDP modes, the EKI-1521, EKI-1522, and EKI-1524 ensure compatibility in network software using a standard network API. Moreover, serial devices can be made communicate with other devices via peer-to-peer, thus eliminating the need for an intermediate host PC and software programming.

Specifications

Ethernet Communications

- Compatibility** IEEE 802.3, IEEE 802.3u
- Speed** 10/100 Mbps
- No. of Ports** 2
- Port Connector** 8-pin RJ45
- Protection** Built-in 2.25 k V_{DC} magnetic isolation

Serial Communications

- Port Type** RS-232/422/485, software selectable ("CI" model supports RS-422/485)
- No. of Ports** EKI-1521: 1/EKI-1522: 2/EKI-1524: 4
- Port Connector** DB9 male
- Data Bits** 5, 6, 7, 8
- Stop Bits** 1, 1.5, 2
- Parity** None, Odd, Even, Space, Mark
- Flow Control** XON/XOFF, RTS/CTS
- Baud Rate** 50 bps ~ 921.6 kbps, any baud rate setting
- Serial Signals** RS-232: TxD, RxD, CTS, RTS, DCD, RI, GND
RS-422: TxD+, TxD-, RxD+, RxD-, GND
RS-485: Data+, Data-, GND
- Protection** Built-in 15 KV ESD for all signals

Software

- Driver Support** 32-bit/64-bit Windows 2000/XP/Vista/7/8/8.1/10, Windows Server 2003/2008/2012, and Linux
- Operation Modes** COM port redirection mode (Virtual COM)
TCP/UDP server (polling) mode
TCP/UDP client (event handling) mode
Pair connection (peer to peer) mode
- Configuration Management** Windows utility, Telnet console, Web Browser
SNMP MIB-II
- Protocols** ICMP, IP, TCP, UDP, BOOTP, DHCP, Auto IP, SNMP, HTTP, DNS, SMTP, ARP, NTP

Mechanics

- Dimensions (W x H x D)** 36.6 x 140 x 95 mm (1.44" x 5.51" x 3.74")
EKI-1524: 48.6 x 140 x 95 mm (1.91" x 5.51" x 3.74")
- Enclosure** Metal with solid mounting hardware
- Mounting** DIN-rail, Wall
- Weight** EKI-1521: 472g/EKI-1522: 480g/EKI-1524: 555g

General

- LED Indicators** System: Power, System Status/LAN: Speed, Link/Active
Serial: Tx, Rx

Power Requirements

- Input** 12 ~ 48 V_{DC}, redundant dual inputs
- Connector** Terminal block
- Consumption** EKI-1521: 3.2 W
EKI-1522: 3.2 W
EKI-1524: 4.1 W

Environment

- Operating Temperature** EKI-1521/EKI-1522/EKI-1524: -10 ~ 60 °C (14 ~ 140 °F)
'CI & I' models: -40 ~ 75 °C (-40 ~ 167 °F)
- Storage Temperature** -40 ~ 85 °C (-40 ~ 185 °F)
- Operating Humidity** 10 ~ 95% RH

Regulatory Approvals

- EMC** CE, FCC Part 15 Subpart B (Class A)
- Hazardous location** UL/cUL (Class I, Division 2, Groups A, B, C and D), ATEX (Zone 2 Ex nA nC IIC T4 Gc)

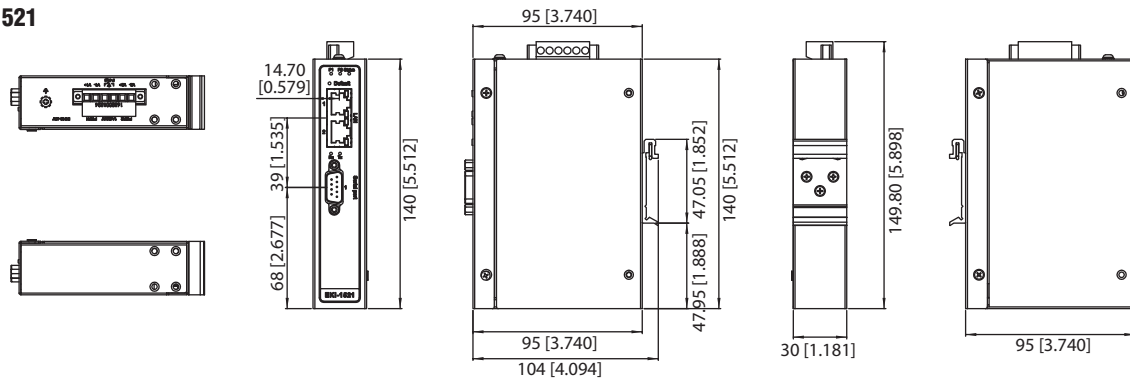
Port to Port Isolation ('CI' models)

- Serial to Ethernet** 2.25 k V_{DC}
- Serial to Power** 2 k V_{DC}
- Ethernet to Power** 2.25 k V_{DC}

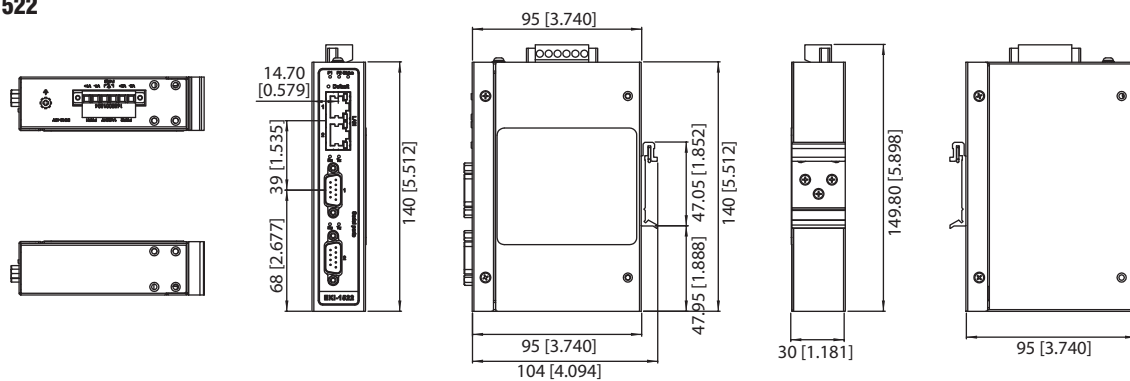
Dimensions

Unit: mm [inch]

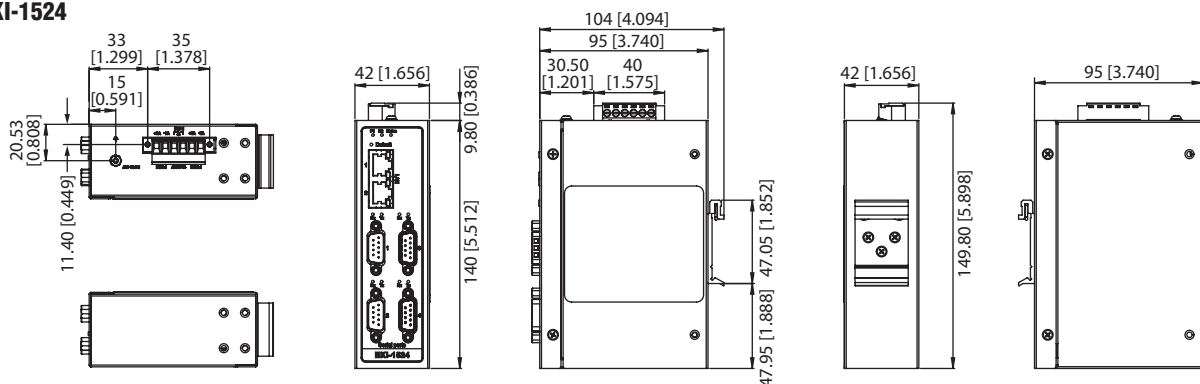
EKI-1521



EKI-1522



EKI-1524



Panel Cut-out Dimensions: 104 x 140 x 36.6 mm (4.094" x 5.512" x 1.441")

Ordering Information

- **EKI-1521** 1-port RS-232/422/485 Serial Device Server
- **EKI-1522** 2-port RS-232/422/485 Serial Device Server
- **EKI-1524** 4-port RS-232/422/485 Serial Device Server
- **EKI-1521I** 1-port RS-232/422/485 Serial Device Server with wide operating temperature
- **EKI-1522I** 2-port RS-232/422/485 Serial Device Server with wide operating temperature
- **EKI-1524I** 4-port RS-232/422/485 Serial Device Server with wide operating temperature
- **EKI-1521CI** 1-port RS-422/485 Serial Device Server with wide operation temperature and isolation
- **EKI-1522CI** 2-port RS-422/485 Serial Device Server with wide operation temperature and isolation
- **EKI-1524CI** 4-port RS-422/485 Serial Device Server with wide operation temperature and isolation
- **OPT1-DB9** D-Sub9 to Terminal Converter

Tento produkt můžete zakoupit u společnosti AutoCont IPC a.s.



AutoCont IPC a.s.

Váš dodavatel průmyslových počítačů, komponent a speciálních průmyslových IT systémů.

 Uhlířská 1064/3, 710 00 Ostrava, Česká republika

 obchod@autocont-ipc.cz

 +420 552 301 002

 www.autocont-ipc.cz



PRŮMYSLOVÉ POČÍTAČE

fanless embedded PC, do racku, ...



POČÍTAČE S DISPLEJEM

panelové PC, terminály, do vozidel, ...



AUTOMATIZACE A SBĚR DAT

převodníky, karty, moduly, switche, ...



PERIFERIE A KOMPONENTY

monitory, klávesnice, desky, skříně, ...



NOTEBOOKY A TABLETY

odolné, windows, android, IP65, ...



INFORMAČNÍ KIOSKY

interiérové, venkovní, ...



MEDICÍNSKÁ TECHNIKA

počítače, tablety, LCD, klávesnice, ...



SOFTWAREVÁ ŘEŠENÍ

pro výrobu, zaměstnance, kiosky, ...



PŘEJÍT DO E-SHOPU

eshop.autocont-ipc.cz



DOPRAVA ZDARMA

Doprava zdarma v ČR a SR při objednávce nad 10 000 Kč bez DPH nebo nad 400 EUR.



PRODLOUŽENÁ ZÁRUKA

Záruka 2 roky na vyráběné počítače s možností jejího prodloužení až na 5 let.



ODMĚNA ZA VĚRNOST

Pravidelní zákazníci u nás nakupují za nižší ceny. Výše slevy se odvíjí od realizovaného obrátu.



SERVIS ON-SITE A IN-TIME

K projektovým dodávkám nabízíme rozšířenou podporu a servis s garancí výměny zařízení do 48 hodin.