

WISE-4610

LoRa/LoRaWAN Outdoor Wireless I/O Module



Features

- Private LoRa and LoRaWAN selectable
- Longer communication range
- Better penetration through concrete and steel
- Less interference than 2.4GHz spectrum
- Application-ready I/O combination with IP65 enclosure
- Powered by solar rechargeable battery or 10–50V_{DC} input
- GPS/Galileo/BeiDou/GLONASS support

Introduction

LPWAN is a type of wireless telecommunication wide area network designed to allow long range communications at a low data rate among IoT applications, such as sensors operated on a battery. Its benefits is to offer multi-year battery lifetime for sensors/applications to send small amounts of data over long distances a few times per hour suitable for different environments.

Private LoRa and LoRaWAN are one of category of LPWAN which belong to the non-cellular LPWAN wireless communication network protocols enables very long range transmissions with low power consumption, operating in the non-licensed spectrum.

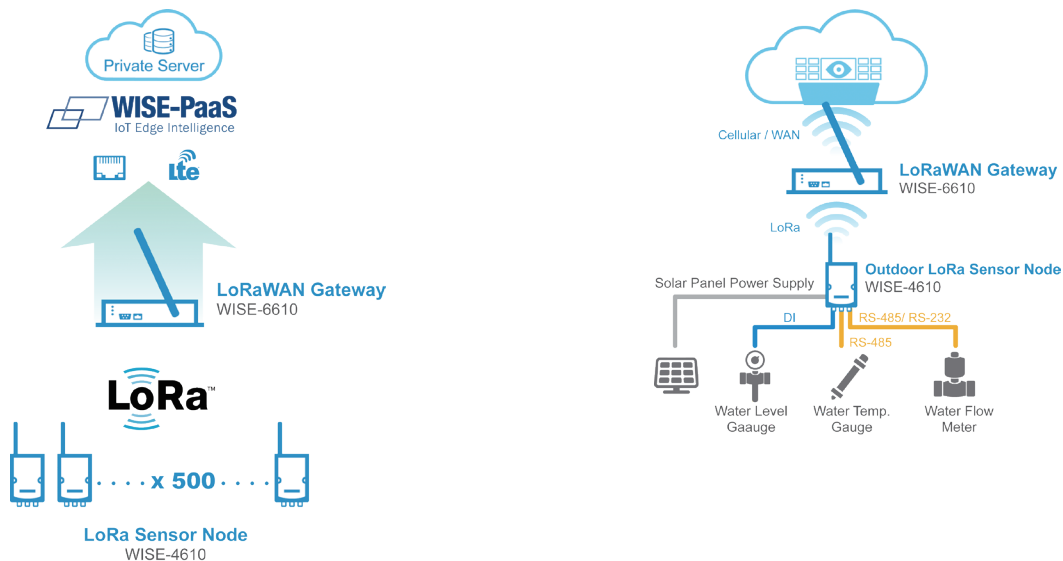


Star Topology

The LoRaWAN networks in a star topology have gateway relaying the data between the sensor nodes and the network server.

Communication between the sensor nodes and the gateway goes over the wireless channel utilizing the LoRa physical layer, whilst the connection between the gateways and the central server are handled over a backbone IP-based network.

The LoRaWAN end nodes(sensors) typically use Low Power and are battery powered (Class A and Class B). LoRa embedded sensors that run on batteries that lasts from 2–5 years typically. The LoRa sensors can transmit signals over distances from 1km—10km.



Common Specification

Wireless Communication

- Standard: LoRaWAN or Private LoRa
- Private LoRa Frequency Range & Region*
 - EU 863-870 (MHz)
 - US 902-928 (MHz)
 - JP 915-928 (MHz)
- LoRaWAN Frequency Range & Region*
 - EU 863-870 (MHz)
 - US 902-928 (MHz)

* Other region can be supported upon request

- Spreading Factor: 7-12
- Outdoor Range: 5km with line of sight (with 2 dBi Antenna)
- Transmit Power: Up to +18dBm
- Receiver Sensitivity: Up to -136dBm at SF = 12 / 125KHz
- Data Rate: 50 kbps at FSK mode EU868
21.9 kbps at SF7 mode US915
5.47 kbps at SF7 mode JP923

- Topology: Star
- Function: End Node

GPS¹

- GNSS Systems: GPS, GLONASS, Galileo, BeiDou, QZSS and SBAS signals
- Max. Update Rate: Single GNSS: up to 18 Hz
Concurrent GNSS: up to 10 Hz
- Accuracy: Position: 2.5 m CEP (50% confidence)
With SBAS: 2.0 m CEP (50% confidence)
- Acquisition: Cold starts: 57 s
Aided starts: 7 s

General

- Power Input: Built-in 4000mA Lithium rechargeable battery pack² or 10-50V_{DC} external power
- Battery Life: 6 months (1 hour data update and 1 day GPS update)
- Configuration Interface: Micro-B USB
- Connector: Power: M12 4-pin code-A male x 1
I/O: M12 8-pin code-D female x 2
- LED Indicator: Status, Error, Tx, Rx, Battery/Signal Level
- Mounting: DIN 35 rail, wall, pole, and stack
- Dimension (W x H x D): 82 x 122 x 49 mm (without antenna)

Environment

- Operating Temperature²: With battery: 0-60°C
Without battery: -25-70°C
- Operating Humidity: 5-95% RH

¹ No GPS version, can be ordered upon request

² No battery version, can be ordered upon request

WISE-S672 (6DI/2COM ports)

Serial Port

- Port Number: 2
Port 1: RS-485
Port 2: RS-485/232
- Serial Signal: RS-485: DATA+, DATA-
RS-232: Tx, Rx, GND
- Data Bits: 7, 8
- Stop Bits: 1, 2
- Parity: None, Odd, Even
- Baud Rate (bps): 1200, 2400, 4800, 9600, 19200, 38400, 57600, 115200
- Protection: 15 kV ESD
- Protocol: Modbus/RTU (Total 32 address)

Digital Input

- Channels: 6
- Input Type: Dry Contact
- Logic Level: 0: Open
1: Close to DCOM
- Supports 200Hz Counter Input (32-bit + 1-bit overflow)
- Keep/Discard Counter Value when Power-off
- Supports Inverted DI Status

WISE-S614 (4AI/4DI)

Analog Input

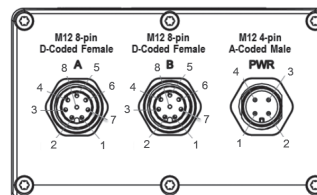
- Channels: 4
- Resolution: 16-bit
- Sampling Rate: 1Hz per channel
- Accuracy: ±0.1% of FSR (Voltage)
±0.2% of FSR (Current)
- Input Range: ±150mV, ±500mV, ±1 V, ±5V, ±10V, 0 ~ 150mV, 0 ~ 500mV, 0 ~ 1V, 0 ~ 5V, 0 ~ 10V, 0 ~ 20mA, 4 ~ 20mA, ±20mA
- Input Impedance: > 2M Ω (Voltage)
240 Ω (External resistor for current)
- Over Voltage Protection: ±35 V_{DC}

- Burn-out Detection: Yes (4-20mA only)
- Supports Data Scaling and Averaging

Digital Input

- Channels: 4
- Input Type: Dry Contact
- Logic Level: 0: Open
1: Close to DCOM
- Supports 200Hz Counter Input (32-bit + 1-bit overflow)
- Keep/Discard Counter Value when Power-off
- Supports Inverted DI Status

Pin Assignment



	Model Name	WISE-S614	WISE-S672
	Pin Number		
A	1	DIO	DIO
	2	DI1	DI1
	3	DI2	DI2
	4	DI3	DI3
	5	NC	DI4
	6	NC	DI5
	7	NC	NC
	8	DI COM	DI COM
B	1	IA0+	DATA1-
	2	IA0-	DATA1+
	3	IA1+	TX
	4	IA1-	RX
	5	IA2+	DATA2-
	6	IA2-	DATA2+
	7	IA3+	NC
	8	IA3-	GND
PWR	1	+VS	+VS
	2	-VS	-VS
	3	SP+	SP+
	4	SP-	

Ordering Information

WISE-4610 Outdoor LoRa/LoRaWAN Module

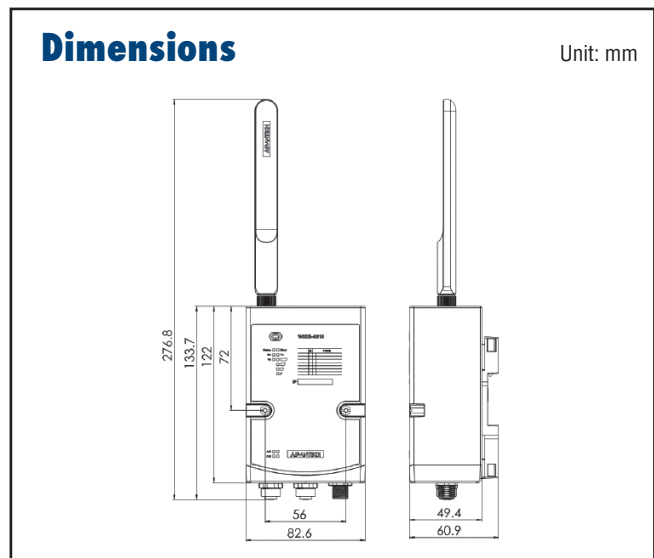
- WISE-4610-NA: LoRa Outdoor WSN - NA915
- WISE-4610-EA: LoRa Outdoor WSN - EU868
- WISE-4610-JA: LoRa Outdoor WSN - JP923

WISE-S600 I/O Module

- WISE-S614-A: 4AI/4DI
- WISE-S672-A: 6DI/2COM Ports

Accessories

- 1654011516-01: M12 Connector 8P Male
- 1655005903-01: M12 Connector 4P Male
- 1700028162-01: 2M M12 code-A 4-pin female cable for power wiring
- 1700028163-01: 2M M12 code-D 8-pin male cable for I/O wiring
- PWR-242-AE: DIN Rail Power Supply (2.1A Output Current)
- PWR-243-AE: Panel Mount Power Supply (3A Output Current)
- PWR-244-AE: Panel Mount Power Supply (4.2A Output Current)



Tento produkt můžete zakoupit u společnosti AutoCont IPC a.s.



AutoCont IPC a.s.

Váš dodavatel průmyslových počítačů, komponent a speciálních průmyslových IT systémů.

 Uhlířská 1064/3, 710 00 Ostrava, Česká republika

 obchod@autocont-ipc.cz

 +420 552 301 002

 www.autocont-ipc.cz



PRŮMYSLOVÉ POČÍTAČE

fanless embedded PC, do racku, ...



POČÍTAČE S DISPLEJEM

panelové PC, terminály, do vozidel, ...



AUTOMATIZACE A SBĚR DAT

převodníky, karty, moduly, switche, ...



PERIFERIE A KOMPONENTY

monitory, klávesnice, desky, skříně, ...



NOTEBOOKY A TABLETY

odolné, windows, android, IP65, ...



INFORMAČNÍ KIOSKY

interiérové, venkovní, ...



MEDICÍNSKÁ TECHNIKA

počítače, tablety, LCD, klávesnice, ...



SOFTWAREVÁ ŘEŠENÍ

pro výrobu, zaměstnance, kiosky, ...



PŘEJÍT DO E-SHOPU

eshop.autocont-ipc.cz



DOPRAVA ZDARMA

Doprava zdarma v ČR a SR při objednávce nad 10 000 Kč bez DPH nebo nad 400 EUR.



PRODLOUŽENÁ ZÁRUKA

Záruka 2 roky na vyráběné počítače s možností jejího prodloužení až na 5 let.



ODMĚNA ZA VĚRNOST

Pravidelní zákazníci u nás nakupují za nižší ceny. Výše slevy se odvíjí od realizovaného obrátu.



SERVIS ON-SITE A IN-TIME

K projektovým dodávkám nabízíme rozšířenou podporu a servis s garancí výměny zařízení do 48 hodin.