

UNO-1252G

Intel® Quark Micro DIN-rail Gateway
w/ 2 x LAN, 2 x mPCIe, 2 x COM, 4 x DI,
4 x DO, 2 x USB, 1 x 1GB microSD card,
1 x SIM

NEW



Features

- Intel® Quark X1001 400 MHz processor with 256/512MB Memory
- 2 x LAN, 2 x mPCIe, 1 x RS-232, 1 x RS-232/485, 4 x DI, 4 x DO, 2 x USB, 1 x 1GB microSD card, 1 x SIM
- COM ports and digital I/O with isolation protection design for sensing and controlling
- Chassis grounding protection
- Compact with fanless design
- DIN-rail mounting design
- Supports GPRS/3G/GPS/Wi-Fi communication by iDoor technology
- Supports Yocto Linux system

Introduction

The UNO-1252G is an Intel Quark DIN-rail controller for IoT gateway solutions. This controller features dual LAN ports and mPCIe card slots for economic gateway applications bridging cloud and brown areas. The general purpose input/output ports directly read the status of sensors and indicate required results. The UNO-1252G is also equipped with Advantech iDoor technology that employs iDoor modules to extend itself to become a wireless gateway. In addition, the UNO-1252G also features eight LED indicators for the status of Power, Battery, SD card, COM ports and three programmable indicators.

Specifications

General

- **Certification** CE, FCC, CCC, BSMI, UL
- **Dimensions (W x D x H)** 63 x 105 x 100 mm (2.48" x 4.13" x 3.94")
- **Form Factor** Micro Size
- **Enclosure** Aluminum Housing
- **Mounting** DIN-rail
- **Weight (Net)** 0.6 kg (1.33 lbs)
- **Power Requirements** 10~36 V_{DC}
- **Power Consumption** 10 W (Typical), 18W (Max)
- **OS Support** Yocto Linux

System Hardware

- **BIOS** 8MB SPI Flash
- **Processor** Intel Quark X1001 400 MHz
- **System Chip** Integrated Intel SoC Chipset
- **Memory** On-board 256/512 MB DDR3 800 MHz
- **LED Indicators** LEDs for Power (PWR), battery (BTR), COM1~2 (Tx/Rx) and microSD (SD), Programmable Indicators (PL1~3)
- **Storage** Built-in 1GB micro SD card, up to 32GB
- **Expansion** 2 x Full size mPCIe slot (1 x USB signal, 1 x PCIe signal)

I/O Interfaces

- **Isolated Serial Ports** 1 x RS-232, DB9, 50~115.2 kbps, supports console debug
1 x RS-232/485, DB9, 50~115.2 kbps (Isolation Protection 1000 V_{DC})
- **LAN Ports** 2 x RJ45, 10/100 Mbps
- **USB Ports** 1 x USB 2.0 (type-A), 1 x USB Client (micro-B)
- **Isolated DI/O** 4-ch digital input, 4-ch digital output (Isolation

Protection 1000 V_{DC}, Overvoltage protection 30 V_{DC}, default wet contact)

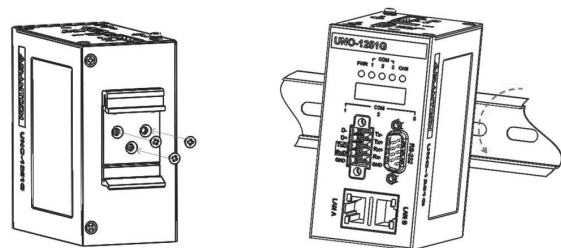
- **Power Connector** 1 x 3 Pin, Terminal Block
- **Grounding Protection** Chassis Grounding
- **SIM** 1 x SIM card slot

Environment

- **Operating Temperature** -20 ~ 60°C (-4 ~ 140°F) @ 5 ~ 85% RH
- **Storage Temperature** -40 ~ 85°C (-40 ~ 185°F)
- **Relative Humidity** 10 ~ 95% RH @ 40°C, non-condensing
- **Shock Protection** Operating, IEC 60068-2-27, 50G, half sine, 11ms
- **Vibration Protection** Operating, IEC 60068-2-64, 2 Grms, random, 5 ~ 500Hz, 1 hr/axis

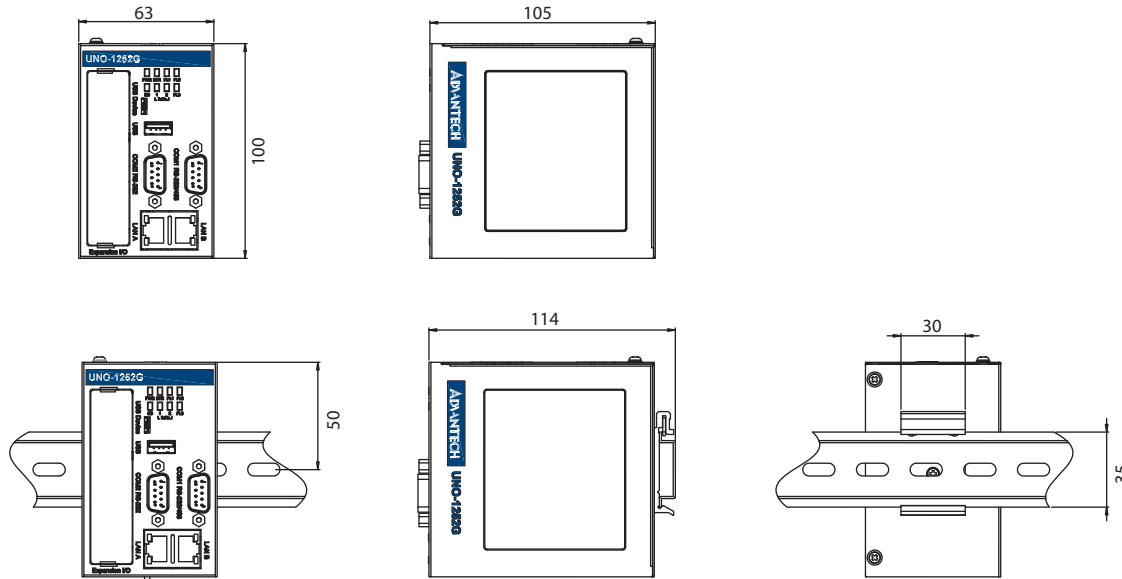
Installation Scenario

DIN-rail Mount Illustration



Dimensions

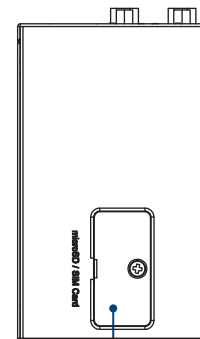
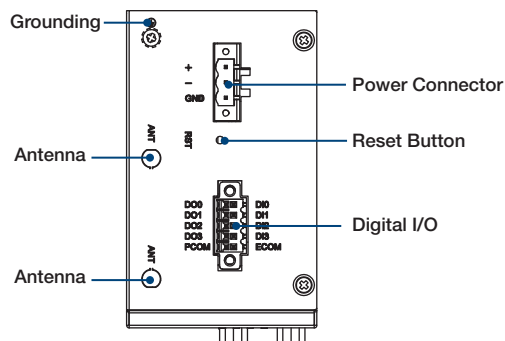
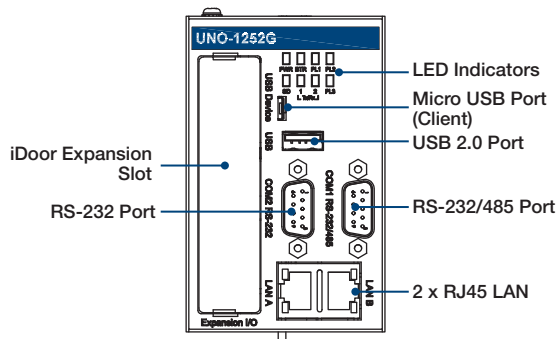
Unit: mm



Front I/O View

Top I/O View

Bottom I/O View



microSD / SIM Card Compartment

Ordering Information

- **UNO-1252G-Q0AE** Intel Quark X1001 400MHz, 2 x LAN, 2 x mPCIe, 2 x COM, 4 x DI, 4 x DO, 2 x USB, 1GB microSD, 256 MB
- **UNO-1252G-Q0BE** Intel Quark X1001 400MHz, 2 x LAN, 2 x mPCIe, 2 x COM, 4 x DI, 4 x DO, 2 x USB, 1GB microSD, 512 MB

iDoor Modules

- **PCM-24S33G-AE** Wide-Temp 3.75G HSPA and GPS, 2-in-1, mPCIe w/ dual SIM Card holder, Antenna, cable
- **PCM-24S2WF-BE** WiFi 802.11 ac/a/b/g/n 2T2R w/Bluetooth 4.1, M.2/ Full-size mPCIe, Antennas
- **PCM-26D2CA-AE** 2-Port Isolated CANBus mPCIe, CANOpen, DB9
- **PCM-24D2R2-BE** 2-Ports Isolated RS-232 mPCIe, DB9
- **PCM-24D2R4-BE** 2-Ports Isolated RS-422/485 mPCIe, DB9
- **PCM-24D4R2-BE** 4-Ports Non-Isolated RS-232 mPCIe, DB37
- **PCM-24D4R4-BE** 4-Ports Non-Isolated RS-422/485 mPCIe, DB37

*More iDoor modules will be supported by project.

Optional Accessories

- **UNO-IPS2440-AE** 24 V_{DC}/ 40 Watts DIN-Rail Power Supply
- **PWR-247-CE** ADP A/D 100-240V 60W 24V
- **1702002600** Power Cable US Plug 1.8 M
- **1702002605** Power Cable EU Plug 1.8 M
- **170203180** Power Cable UK Plug 1.8 M
- **1700000596** Power Cable China/Australia Plug 1.8 M

Tento produkt můžete zakoupit u společnosti AutoCont IPC a.s.



AutoCont IPC a.s.

Váš dodavatel průmyslových počítačů, komponent a speciálních průmyslových IT systémů.

 Uhlířská 1064/3, 710 00 Ostrava, Česká republika

 obchod@autocont-ipc.cz

 +420 552 301 002

 www.autocont-ipc.cz



PRŮMYSLOVÉ POČÍTAČE

fanless embedded PC, do racku, ...



POČÍTAČE S DISPLEJEM

panelové PC, terminály, do vozidel, ...



AUTOMATIZACE A SBĚR DAT

převodníky, karty, moduly, switche, ...



PERIFERIE A KOMPONENTY

monitory, klávesnice, desky, skříně, ...



NOTEBOOKY A TABLETY

odolné, windows, android, IP65, ...



INFORMAČNÍ KIOSKY

interiérové, venkovní, ...



MEDICÍNSKÁ TECHNIKA

počítače, tablety, LCD, klávesnice, ...



SOFTWAREVÁ ŘEŠENÍ

pro výrobu, zaměstnance, kiosky, ...



PŘEJÍT DO E-SHOPU

eshop.autocont-ipc.cz



DOPRAVA ZDARMA

Doprava zdarma v ČR a SR při objednávce nad 10 000 Kč bez DPH nebo nad 400 EUR.



PRODLOUŽENÁ ZÁRUKA

Záruka 2 roky na vyráběné počítače s možností jejího prodloužení až na 5 let.



ODMĚNA ZA VĚRNOST

Pravidelní zákazníci u nás nakupují za nižší ceny. Výše slevy se odvíjí od realizovaného obrátu.



SERVIS ON-SITE A IN-TIME

K projektovým dodávkám nabízíme rozšířenou podporu a servis s garancí výměny zařízení do 48 hodin.