

IDS-3110

10.4" Industrial Open Frame Monitor

NEW



Features

- 10.4" LCD panel with LED backlight for 20% power saving and environmental protection
- -20° C ~ +60° C wide range operating temperature
- 5-wire resistive touchscreen solution / Projected capacitive touch as options
- Combo touch interface: RS-232 and USB
- Dual signal interface with VGA & DVI, optional with HDMI
- Integrated bracket for easy installation
- Versatile mounting methods for rear mounting and VESA mounting
- Anti-Reflective treatment (optional)
- Ultra high brightness solution of 1200 cd/m² for outdoor application (optional)

Introduction

The Advantech IDS-3110 Embedded Open Frame Monitor series offers flexible options for LCD, touchscreen, signal interface and chassis mounting. The series supports rear and VESA mounting. The integrated brackets bring the benefits of easy installation and provide flexibility for different applications.

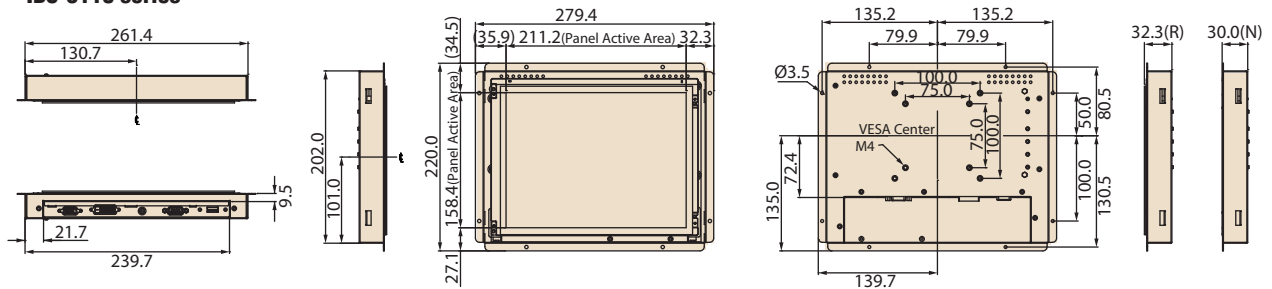
Specifications

	Model	IDS-3110	IDS-3110E	IDS-3110 XGA
Display	Size	10.4" LED panel	10.4" LED panel	10.4" LED panel
	Resolution	800 x 600 (SVGA)	800 x 600 (SVGA)	1024 x 768 (XGA)
	Viewing Angle	80°/80° (H), 60°/80° (V)	80° /80° (H), 60° /70° (V)	88° /88° (H), 88° /88° (V)
	Brightness	400 (cd/m ²)	230 (cd/m ²)	500 (cd/m ²)
	Color Support	16.2M / 262K colors	16.2M / 262K colors	16.2M colors
	Contrast Ratio	700:1	500:1	1000:1
	Response Time	30 [msec]	35 [msec]	25 [msec]
	Backlight Life (hrs)	50,000 hrs	30,000 hrs	50,000 hrs
Touchscreen	Touchscreen Type	5-Wire Resistive Touchscreen	5-Wire Resistive Touchscreen	5-Wire Resistive Touchscreen / Projected Capacitive touch
	Surface Hardness	3H	3H	3H / Mohs 5
	Durability	36 million touches	36 million touches	36 million touches / No limited
	Transparency	81%±3%	81%±3%	81%±3% / 90%±3%
Environment	Operating Temperature	-20 ~ 60° C (-4 ~ 140° F)	0~ 45° C (32 ~ 113° F)	-20 ~ 60° C (-4 ~ 140° F)
	Storage Temperature	-30 ~ 70° C (-22 ~ 158° F)	-20 ~ 60° C (-4 ~ 140° F)	-30 ~ 70° C (-22 ~ 158° F)
	Humidity	95% @ 40° C, non-condensing		
	Vibration	5-500Hz, 0.026G ² /Hz, 2.16Grms, X, Y, Z 1 hour per axis		
System	I/O	VGA x 1; DVI-D x 1; 12 V _{DC} Jack x 1; USB x 1; RS-232 x 1 (USB & RS-232 are reserved for the connection to enable touch usage only)	VGA x 1; 12 V _{DC} Jack x 1; USB x 1; RS-232 x 1	VGA x 1; DVI-D x 1; 12 V _{DC} Jack x 1; USB x 1; RS-232 x 1
	OSD	Keys: Menu, Up, Down, Auto Adjust, Monitor Power on/off Menu Functions: Brightness, Contrast, Screen Settings, Color Temp, Language OSD Settings, VGA/ DVI , Recall , Auto Adjust	Keys: Menu, Up, Down, Auto Adjust, Monitor Power on/off Menu Functions: Brightness, Contrast, Color Adjust, Color Temp, Auto Color, and Language	
	Power Consumption	6.68W(R)	5.1W(R) 4.6W(N)	11.8W(R) 11.47W(P) 11.3W(N)
	EMC Certified	6.18W(N)		
	Package Dimension	420 x 333 x 173 mm		
	Net Weight	1.6kg	1.6kg	1.2kg
	Gross Weight	2.9kg	2.9kg	2.5kg

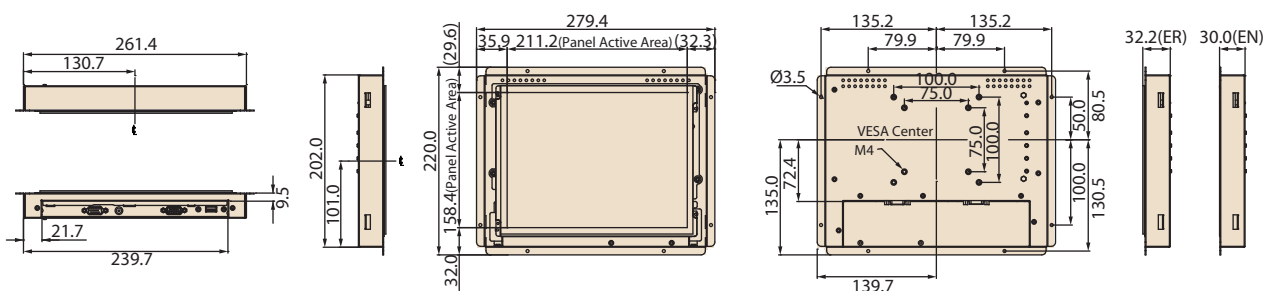
Dimensions

Unit: mm

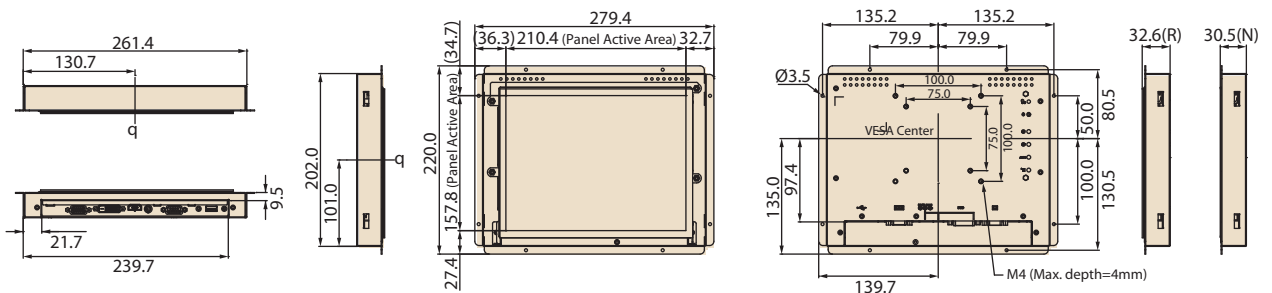
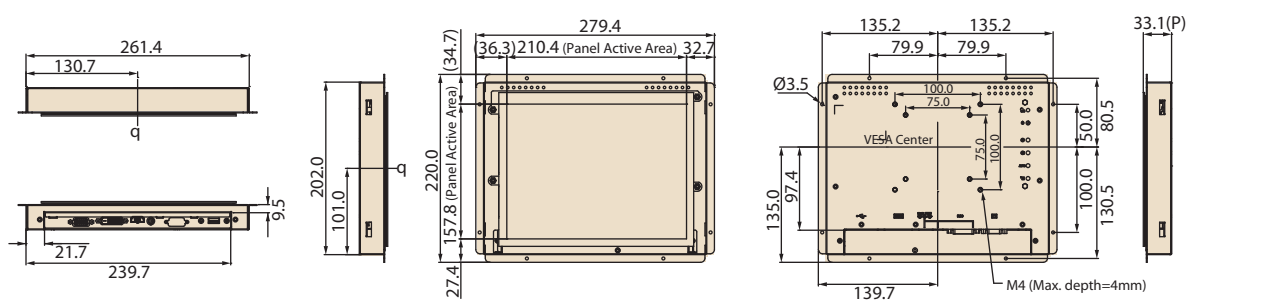
IDS-3110 series



IDS-3110E series



IDS-3110 XGA series



Packing List

Part Number	Description
1700002215	1 x M Cable USB-A(M)/USB-A(M) 180 cm
1700021332-11	1 x VGA cable 15P(M) 180 cm
1962055040	4 x clamper
1935042520	4 x clamper screws M4_25L
1992610005	1 x cable clamp
1933030500	1 x cable clamp screw
1992602010	1 x cable tie

* USB Cable is only included in IDS-3110R and IDS-3110ER series.

Note: Package contents are subject to change without prior notice

Optional Items

Part Number	Description
1700001524	3-pin power cord (US)
170203183C	3-pin power cord (EU)
1700008921	3-pin power cord with PSE (Japan)
96PSA-A36W12R1	Adapter 100-240V 36W 12V 3A
1700000243-11	M cable DVI 19P(M)/DVI 19P(M) 191cm
1700091800	Cable 9P/9P 1.8M M/F (Touchscreen RS-232 cable)

Ordering Information

Model Name	Description
IDS-3110N-40SVA1E	10.4" SVGA 400 cd/m ² LED Open Frame Monitor
IDS-3110R-40SVA1E	10.4" SVGA 400 cd/m ² LED Open Frame Touch Monitor
IDS-3110EN-23SVA1E	10.4" SVGA 230 cd/m ² LED Open Frame Monitor
IDS-3110ER-23SVA1E	10.4" SVGA 230 cd/m ² LED Open Frame Touch Monitor
IDS-3110N-50XGA1E	10.4" XGA 500 cd/m ² LED Open Frame Monitor
IDS-3110R-50XGA1E	10.4" XGA 500 cd/m ² LED Open Frame Touch Monitor
IDS-3110P-50XGA1E	10.4" XGA 500 cd/m ² Open Frame P-cap Touch Monitor

Tento produkt můžete zakoupit u společnosti AutoCont IPC a.s.



AutoCont IPC a.s.

Váš dodavatel průmyslových počítačů, komponent a speciálních průmyslových IT systémů.

 Uhlířská 1064/3, 710 00 Ostrava, Česká republika

 obchod@autocont-ipc.cz

 +420 552 301 002

 www.autocont-ipc.cz



PRŮMYSLOVÉ POČÍTAČE

fanless embedded PC, do racku, ...



POČÍTAČE S DISPLEJEM

panelové PC, terminály, do vozidel, ...



AUTOMATIZACE A SBĚR DAT

převodníky, karty, moduly, switche, ...



PERIFERIE A KOMPONENTY

monitory, klávesnice, desky, skříně, ...



NOTEBOOKY A TABLETY

odolné, windows, android, IP65, ...



INFORMAČNÍ KIOSKY

interiérové, venkovní, ...



MEDICÍNSKÁ TECHNIKA

počítače, tablety, LCD, klávesnice, ...



SOFTWAREVÁ ŘEŠENÍ

pro výrobu, zaměstnance, kiosky, ...



PŘEJÍT DO E-SHOPU

eshop.autocont-ipc.cz



DOPRAVA ZDARMA

Doprava zdarma v ČR a SR při objednávce nad 10 000 Kč bez DPH nebo nad 400 EUR.



PRODLOUŽENÁ ZÁRUKA

Záruka 2 roky na vyráběné počítače s možností jejího prodloužení až na 5 let.



ODMĚNA ZA VĚRNOST

Pravidelní zákazníci u nás nakupují za nižší ceny. Výše slevy se odvíjí od realizovaného obrátu.



SERVIS ON-SITE A IN-TIME

K projektovým dodávkám nabízíme rozšířenou podporu a servis s garancí výměny zařízení do 48 hodin.