

# ARK-3500

## 3rd Gen. Intel® Core™ i3/ i5/ i7 with 2 Expansion slots and wide range power Fanless Box PC

**NEW**



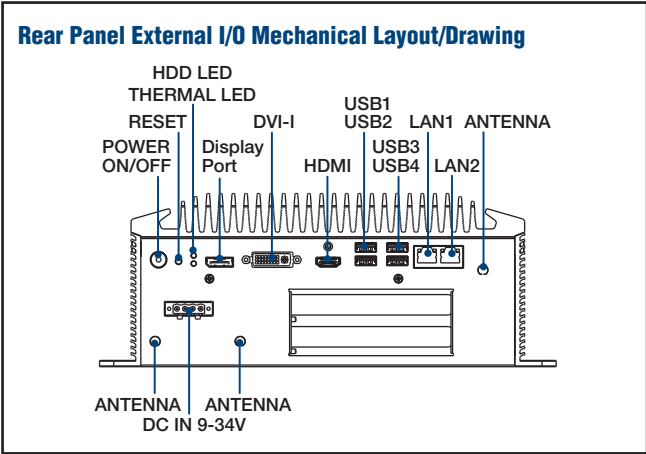
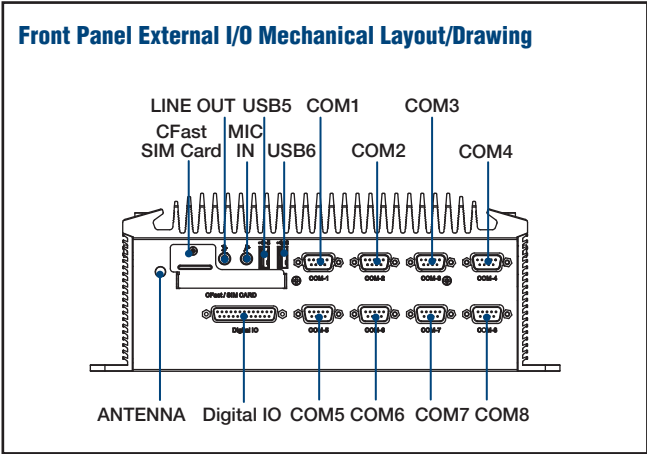
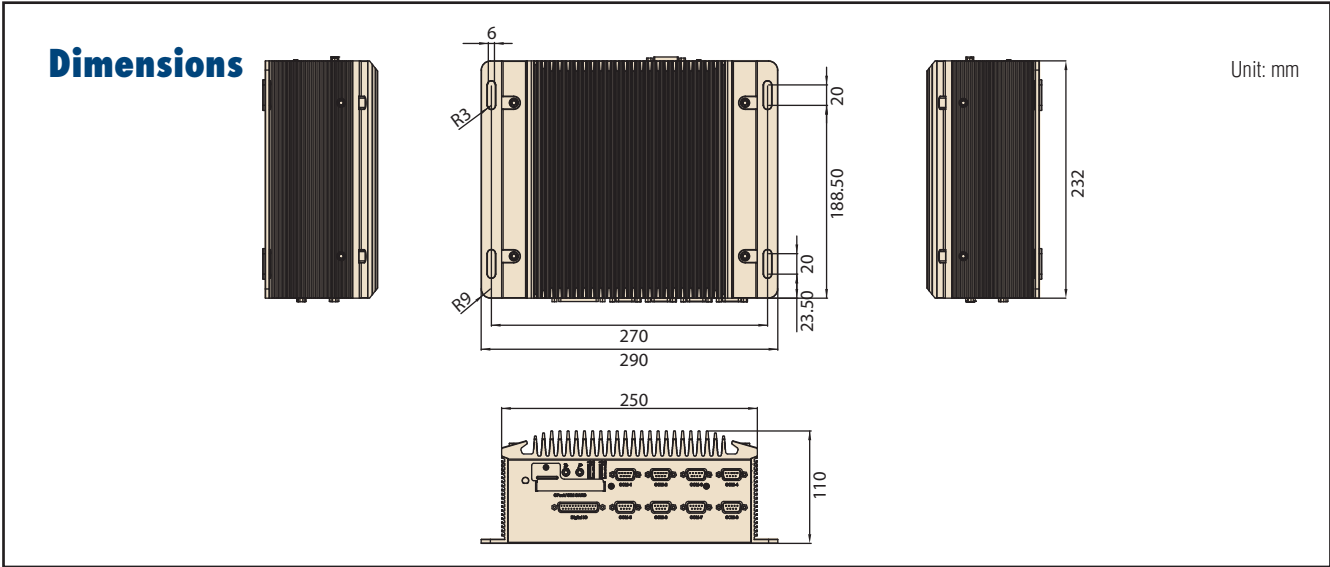
### Features

- Supports Intel® Core™ i3/i5/i7 mobile processor(rPGA) + Intel QM77 PCH
- Triple independent display with 3rd gen Core i processor : DVI + HDMI + DisplayPort
- DDR3/DDR3L SO-DIMM memory support up to 16 GB
- 2 expansion slots with vary interface: PCI, PCIe x 1 & PCIe x 4
- 2 x miniPCIe slots with SIM card holders
- 9-34V wide range lockable DC jack design
- Versatile I/Os including 4 x high speed USB 3.0 and 8 x COM ports
- Flexible Storage Support including 2x mSATA, 1x CFast and 2x 2.5" SATA HDD/ SSD bays
- Supports iManager, WISE-PasS/RMM and Embedded Software APIs



### Specifications

|                    |  |   |                      |                      |                     |
|--------------------|--|---|----------------------|----------------------|---------------------|
| Processor System   | CPU (rPGA)   | Intel Core i7-3610QM  | Intel Core i5-3610ME | Intel Core i3-3120ME | Celeron 1020E       |
|                    | Frequency  | 2.3 GHz (Quad Core)   | 2.7 GHz (Dual Core)  | 2.4 GHz (Dual Core)  | 2.2 GHz (Dual Core) |
|                    | L3 Cache   | 6 MB  | 3 MB                 | 3 MB                 | 2 MB                |
|                    | Watts  | 45W   | 35W                  | 35W                  | 35W                 |
|                    | System Chipset                                       | Intel QM77  |                      |                      |                     |
| BIOS               | AMI EFI 64Mbit                                       |   |                      |                      |                     |
|                    |  |   |                      |                      |                     |
| Memory             | Technology   | DDR3/DDR3L 1600MHz  |                      |                      |                     |
|                    | Max. Capacity  | 16 GB   |                      |                      |                     |
|                    | Socket   | 2 x 204-pin SO-DIMM   |                      |                      |                     |
| Graphics           | Chipset  | Intel QM77 Integrated GFX Gen 7   |                      |                      |                     |
|                    | Graphic Engine                                       | DirectX11, OpenGL 3.1, and Open CL 11; Hardware decode acceleration: AVC/H.264, MPEG-2, VC-1  |                      |                      |                     |
|                    | CRT  | VGA integrated in DVI-I port  |                      |                      |                     |
|                    | DVI-I  | 1920 x 1200 @ 60 Hz   |                      |                      |                     |
|                    | HDMI   | Support HDMI 1.4, 1920 x 1200 @ 60 Hz   |                      |                      |                     |
|                    | Display port   | 2560 x 1600 @ 60Hz (Video only, and only support on 3rd generation processor)   |                      |                      |                     |
| Dual Display       | VGA+DVI, VGA+HDMI, VGA+DP, DVI+HDMI, DVI+DP, HDMI+DP |   |                      |                      |                     |
|                    | VGA+DVI, DVI+HDMI, VGA+HDMI                          |   |                      |                      |                     |
| Triple Display     | DVI-D + HDMI + DisplayPort (Main display)            |   |                      | N/A                  |                     |
| Ethernet           | LAN1   | 10/100/1000 Mbps Intel 82579LM GbE, support Wake On Lan   |                      |                      |                     |
|                    | LAN2   | 10/100/1000 Mbps Intel I-210IT GbE, support Wake On Lan   |                      |                      |                     |
| Audio              | Interface  | Realtek ALC892, High Definition Audio, Line-out, Mic-in   |                      |                      |                     |
| I/O Interface      | Serial Port  | 4 x RS-232 ports, 4 x RS-232/422/485 port with auto flow control  |                      |                      |                     |
|                    | USB  | 4 x USB 3.0 ports (USB1,2,3,4); 2 x USB 2.0 ports (USB5,6)  |                      |                      |                     |
|                    | DIO  | 16 bit DIO  |                      |                      |                     |
| Other              | Watchdog Timer                                       | 255-level timer interval , setup by software  |                      |                      |                     |
| Expansions         | Mini PCIe  | 2 x Full-size Mini PCIe with SIM holder (Supports mSATA)  |                      |                      |                     |
|                    | Add-on Card Slot                                     | ARK-3500P-00A1E : 2 x PCI; Maximum card size: 110 mm (H) x 180 mm (L)<br>ARK-3500F-00A1E : PCIe x 1 + PCIe x 4; Maximum card size: 110 mm (H) x 180 mm (L)<br>Suggest maximum power consumption 10w for each slot |                      |                      |                     |
| Storage            | HDD  | Two 2.5" SATA HDD Bays with maximum device height 9.5mm, SATA III, Gen 3 Support (Max. Data Transfer Rate 600 MB/s), Support SATA RAID 0, 1   |                      |                      |                     |
|                    | Solid State Disk                                     | 1 x CFast Card slot   |                      |                      |                     |
| Software Support   | Microsoft Windows                                    | Windows 8 , Windows 7, XP Professional (32bit), XP Embedded (32bit)   |                      |                      |                     |
|                    | Linux  | Ubuntu 12.04  |                      |                      |                     |
| Power Requirements | Power Type   | AT/ATX  |                      |                      |                     |
|                    | Power Input Voltage                                  | 9 ~ 34 V <sub>dc</sub>  |                      |                      |                     |
|                    | Power Adapter  | AC to DC, DC 12V , 120W (Optional)  |                      |                      |                     |
| Power Consumption  | Typical  | 19.2W   | 16.4W                | 14.8W                | 16.4W               |
|                    | Max.   | 60W   | 36.5W                | 30W                  | 31.8W               |
|                    |  | Max. : test with 100% CPU loading and HDD R/W access only.  |                      |                      |                     |
| Mechanical         | Construction   | Aluminum housing  |                      |                      |                     |
|                    | Mounting   | Desk/wall-mounting  |                      |                      |                     |
|                    | Dimensions (W x H x D)                               | 290 x 110 x 232mm (11.4" x 4.33" x 9.13")   |                      |                      |                     |
|                    | Weight   | 4.8 kg  |                      |                      |                     |
| Environment        | Operating Temperature                                | with extended temp peripherals: -10 ~ 60° C with 0.7m/s air flow<br>with HDD: 0 ~ 40° C with 0.7m/s air flow  |                      |                      |                     |
|                    | Storage Temperature                                  | -40 ~ 85° C   |                      |                      |                     |
|                    | Relative Humidity                                    | 95% @ 40° C (non-condensing)  |                      |                      |                     |
|                    | Vibration During Operation                           | With SSD: 5 Grms, IEC 60068-2-64, random, 5 ~ 500 Hz, 1 hr/axis.  |                      |                      |                     |
|                    | Shock During Operation                               | With SSD: 30 G, IEC 60068-2-27, half sine, 11 ms duration   |                      |                      |                     |
|                    | EMC  | CE/FCC Class A, CCC, BSMI   |                      |                      |                     |
| Safety             | CB, UL, CCC, BSMI                                    |   |                      |                      |                     |



## Ordering Information

| Part No.        | CPU             | DDR3        | DP | HDMI | DVI-I | RS-232/422/485 | RS-232 | USB 3.0 | USB 2.0 | MiniPCIe | SIM | DC input | Expansion                    |
|-----------------|-----------------|-------------|----|------|-------|----------------|--------|---------|---------|----------|-----|----------|------------------------------|
| ARK-3500P-00A1E | PGA Socket Type | up to 16 GB | 1  | 1    | 1     | 4              | 4      | 4       | 2       | 2        | 2   | 9 ~ 34 V | 2 x PCI                      |
| ARK-3500F-00A1E | PGA Socket Type | up to 16 GB | 1  | 1    | 1     | 4              | 4      | 4       | 2       | 2        | 2   | 9 ~ 34 V | 1 x PCIe x 1<br>1 x PCIe x 4 |

Note: Memory, storage and operating system bundled by request.

## Packing List

| Part Number | Description                                      |
|-------------|--|
| 1654009744  | DVI-I to VGA adaptor                             |
| 968EMLSAP2  | SUSI CD  |
| -           | User Manual (Simplified Chinese)                 |
| -           | China RoHS for ARK-3500 Electronic Pollution 1st |
| 1652003234  | 4 pin DC in terminal block                       |
| 1930001241  | HDD screws                                       |
| 2190000902  | CARDBOARD-WARRANTY REV. A2                       |

## Embedded OS

| Part Number | Description                        |
|-------------|------------------------------------|
| 2070012570  | WES2009 32bit 24MUI                |
| 2070012650  | WES7E 32bit ENG/CHT/CHS/JPN        |
| 2070012706  | WES7E 64bit ENG/CHT/CHS/JPN        |
| 2070014612  | WES7P 32bit ENG/CHT/CHS/JPN        |
| 2070012628  | WES7P 64bit ENG/CHT/CHS/JPN        |
| 2070013970  | WES7E 32bit ENG/CHT/CHS/JPN (RAID) |
| 2070013971  | WES7E 64bit ENG/CHT/CHS/JPN (RAID) |

## Optional Items

| Part Number       | Description                                 |
|-------------------|---|
| 96PSA-A150W19P4-1 | AC-to-DC Adaptor, DC 19V, 150W, -20 ~ 70° C |
| 1702002600        | Power cable 3-pin 180cm, USA type           |
| 1702031801        | Power cable 3-pin 180cm, UK type            |
| 1702002605        | Power cable 3-pin 180cm, EU type            |
| 1700000237        | Power cable 3-pin 180cm, with PSE           |
| 96MPI7M-2.3-6M9T  | CORE 2.3G 6M 988P 4CORE I7-3610QE(G)        |
| 96MPI5-2.7-3M9T   | CORE 2.7G 3M 988P 2CORE I5-3610ME(G)        |
| 96MPI3M-2.4-3M9T  | CORE 2.4G 3M 988P 2CORE I3-3120ME(G)        |
| 96MPCM-2.2-2M9T   | CELERON M 2.2G 2M 988P 2CORE I020E(G)       |
|                   | CORE 2.9G 4M 988P 2CORE I7-3520M            |

# Tento produkt můžete zakoupit u společnosti AutoCont IPC a.s.



## AutoCont IPC a.s.

Váš dodavatel průmyslových počítačů, komponent a speciálních průmyslových IT systémů.

 Uhlířská 1064/3, 710 00 Ostrava, Česká republika

 [obchod@autocont-ipc.cz](mailto:obchod@autocont-ipc.cz)

 +420 552 301 002

 [www.autocont-ipc.cz](http://www.autocont-ipc.cz)



### PRŮMYSLOVÉ POČÍTAČE

*fanless embedded PC, do racku, ...*



### POČÍTAČE S DISPLEJEM

*panelové PC, terminály, do vozidel, ...*



### AUTOMATIZACE A SBĚR DAT

*převodníky, karty, moduly, switche, ...*



### PERIFERIE A KOMPONENTY

*monitory, klávesnice, desky, skříně, ...*



### NOTEBOOKY A TABLETY

*odolné, windows, android, IP65, ...*



### INFORMAČNÍ KIOSKY

*interiérové, venkovní, ...*



### MEDICÍNSKÁ TECHNIKA

*počítače, tablety, LCD, klávesnice, ...*



### SOFTWAREVÁ ŘEŠENÍ

*pro výrobu, zaměstnance, kiosky, ...*



### PŘEJÍT DO E-SHOPU

[eshop.autocont-ipc.cz](http://eshop.autocont-ipc.cz)



### DOPRAVA ZDARMA

Doprava zdarma v ČR a SR při objednávce nad 10 000 Kč bez DPH nebo nad 400 EUR.



### PRODLOUŽENÁ ZÁRUKA

Záruka 2 roky na vyráběné počítače s možností jejího prodloužení až na 5 let.



### ODMĚNA ZA VĚRNOST

Pravidelní zákazníci u nás nakupují za nižší ceny. Výše slevy se odvíjí od realizovaného obrátu.



### SERVIS ON-SITE A IN-TIME

K projektovým dodávkám nabízíme rozšířenou podporu a servis s garancí výměny zařízení do 48 hodin.