

PT-510 Series

IEC 61850-3 10-port DIN-Rail managed Ethernet switches



- > IEC 61850-3 and IEEE 1613 (power substations) compliant
- > Turbo Ring and Turbo Chain (recovery time < 20 ms @ 250 switches), RSTP/STP, and MSTP for network redundancy
- > Easy network management by web browser, CLI, Telnet/serial console, windows utility, and ABC-01
- > Isolated redundancy for universal 24/48 VDC power inputs
- > Wide 110/220 VDC/VAC power supply range support
- > Modbus/TCP, LLDP, SNMP Inform, QoS, IGMP snooping, VLAN, IEEE 802.1X, HTTPS, SNMPv3, and SSH supported
- > -40 to 85°C operating temperature range



Introduction

The PowerTrans PT-510 is designed to meet the demands of power substation automation systems (IEC 61850-3, IEEE 1613). The PT-510's optical fiber Fast Ethernet backbone, redundant ring, and dual isolated redundant power supplies increase the reliability of your communications and save on cabling/wiring costs. In addition, the

DIN-Rail and wallmount designs of the PT-510 make network planning easy, and allow greater flexibility by letting you install up to 10 Fast Ethernet ports for power distribution applications.

General Features and Benefits

- Command Line Interface (CLI) for quickly configuring major managed functions
- IPv6 Ready logo awarded (IPv6 Logo Committee certified)
- Software-based IEEE 1588 PTP V2 (Precision Time Protocol) for precise time synchronization of networks
- VLAN Unaware: Supports priority-tagged frames to be received by specific IEDs
- DHCP Option 82 for IP address assignment with different policies
- EtherNet/IP and Modbus/TCP industrial Ethernet protocols supported
- Turbo Ring and Turbo Chain (recovery time < 20 ms @ 250 switches), RSTP/STP, and MSTP for network redundancy
- IGMP snooping and GMRP for filtering multicast traffic from industrial Ethernet protocols
- IEEE 802.3ad, LACP for optimum bandwidth utilization
- Bandwidth management prevents unpredictable network status
- Multi-port mirroring for online debugging
- Automatic warning by exception through email, relay output
- RMON for efficient network monitoring and proactive capability
- Automatic recovery of connected device's IP addresses
- Line-swap fast recovery
- Configurable by Web browser, Telnet/Serial console, CLI, Windows utility, and ABC-01 automatic backup configurator

Cyber-security Features

- User passwords with multiple levels of security protect against unauthorized configuration
- SSH/HTTPS is used to encrypt passwords and data
- Lock switch ports with 802.1x port-based network access control so that only authorized clients can access the port
- Disable one or more ports to block network traffic
- 802.1Q VLAN allows you to logically partition traffic transmitted between selected switch ports
- Secure switch ports so that only specific devices and/or MAC addresses can access the ports
- Radius/TACACS+ allows you to manage passwords from a central location
- SNMPv3 provides encrypted authentication and access security

Specifications

Technology

Standards:

- IEEE 802.3 for 10BaseT
- IEEE 802.3u for 100BaseT(X) and 100Base FX
- IEEE 802.3x for Flow Control
- IEEE 802.1D for Spanning Tree Protocol
- IEEE 802.1w for Rapid Spanning Tree Protocol
- IEEE 802.1D-2004 for Spanning Tree Protocol
- IEEE 802.1Q for VLAN Tagging
- IEEE 802.1p for Class of Service
- IEEE 802.1X for Authentication
- IEEE 802.3ad for Port Trunk with LACP
- IEEE 802.1s for Multiple Spanning Tree Protocol

Protocols: IGMPv1/v2, GMRP, GVRP, SNMPv1/v2c/v3, DHCP Server/Client, DHCP Option 66/67/82, BootP, TFTP, SNMP, SMTP, RARP, RMON, HTTP, HTTPS, Telnet, SSH, Syslog, EtherNet/IP, Modbus/TCP, SNMP Inform, LLDP, IEEE 1588 PTP V2, IPv6, NTP Server/Client

MIB: MIB-II, Ethernet-like MIB, P-BRIDGE MIB, Q-BRIDGE MIB, Bridge MIB, RSTP MIB, RMON MIB Group 1, 2, 3, 9

Flow Control: IEEE 802.3x flow control, back pressure flow control

Switch Properties

- Priority Queues:** 4
- Max. Number of Available VLANs:** 64
- VLAN ID Range:** VID 1 to 4094
- IGMP Groups:** 256
- MAC Table Size:** 8 K
- Packet Buffer Size:** 1 Mbit

Interface

- RJ45 Ports:** 10/100BaseT(X) auto negotiation speed, F/H duplex mode, and auto MDI/MDI-X connection
- Fiber Ports:** 100BaseFX ports (SC/ST/LC/MTRJ connector)
- Console Port:** RS-232 (RJ45)
- LED Indicators:** PWR1, PWR2 (DC models only), FAULT, MSTR/HEAD, CPLR/TAIL

Alarm Contact: 1 relay output with current carrying capacity of 1 A @ 24 VDC

Power Requirements

Input Voltage:

- 24 VDC (18 to 36 V)
- 48 VDC (36 to 72 V)
- 110/220 VDC/VAC (88 to 300 VDC, 85 to 264 VAC)

Input Current: (all ports are equipped with fiber)

- Max. 0.425 A @ 24 VDC
- Max. 0.19 A @ 48 VDC
- Max. 0.105/0.053 A @ 110/220 VDC
- Max. 0.086/0.044 A @ 110/220 VAC

Overload Current Protection: Present

Connection: 5-pin terminal blocks

Reverse Polarity Protection: Present

Physical Characteristics

Housing: IP40 protection

Dimensions: 80 x 160 x 110 mm (3.15 x 6.30 x 4.33 in)

Weight: 1210 g

Installation: DIN-Rail mounting, wall mounting (with optional kit)

Environmental Limits

Operating Temperature: -40 to 85°C (-40 to 185°F), cold start requires min. of 100 VAC at -40°C

Storage Temperature: -40 to 85°C (-40 to 185°F)

Ambient Relative Humidity: 5 to 95% (non-condensing)

Standards and Certifications

Safety: UL 508 (Pending)

EMI: FCC Part 15 Subpart B Class A, EN 55022 Class A

Power Automation: IEC 61850-3, IEEE 1613

Note: Please check Moxa's website for the most up-to-date certification status.

Warranty

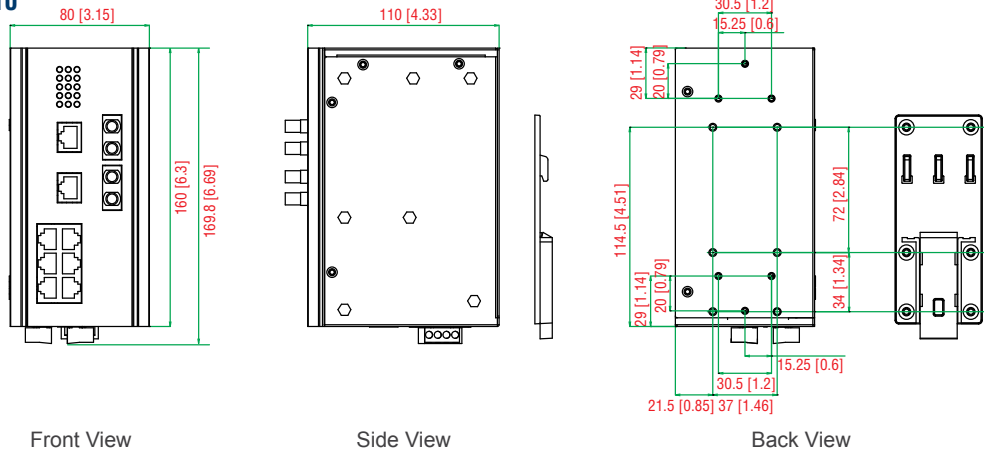
Warranty Period: 5 years

Details: See www.moxa.com/warranty

Dimensions

PT-510

Unit: mm (inch)



Ordering Information

Available Models				Port Interface						
DIN-Rail, Front Cabling, Front Display	Power Supply			10/100 BaseT(X)	100BaseFX					
	24 VDC (18 to 36 V)	48 VDC (36 to 72 V)	HV: 88 to 300 VDC and 85 to 264 VAC		Multi-mode, SC Connector	Multi-mode, ST Connector	Multi-mode, LC Connector	Multi-mode, MTRJ Connector	Single- mode, SC Connector	Single- mode, LC Connector
PT-510-MM-SC-24	1	–	–	8	2	–	–	–	–	–
PT-510-MM-SC-48	–	1	–	8	2	–	–	–	–	–
PT-510-MM-SC-HV	–	–	1	8	2	–	–	–	–	–
PT-510-MM-ST-24	1	–	–	8	–	2	–	–	–	–
PT-510-MM-ST-48	–	1	–	8	–	2	–	–	–	–
PT-510-MM-ST-HV	–	–	1	8	–	2	–	–	–	–
PT-510-MM-LC-24	1	–	–	8	–	–	2	–	–	–
PT-510-MM-LC-48	–	1	–	8	–	–	2	–	–	–
PT-510-MM-LC-HV	–	–	1	8	–	–	2	–	–	–
PT-510-4M-ST-24	1	–	–	6	–	4	–	–	–	–
PT-510-4M-ST-48	–	1	–	6	–	4	–	–	–	–
PT-510-4M-ST-HV	–	–	1	6	–	4	–	–	–	–
PT-510-2MTRJ-24	1	–	–	8	–	–	–	2	–	–
PT-510-2MTRJ-48	–	1	–	8	–	–	–	2	–	–
PT-510-2MTRJ-HV	–	–	1	8	–	–	–	2	–	–
PT-510-SS-SC-24	1	–	–	8	–	–	–	–	2	–
PT-510-SS-SC-48	–	1	–	8	–	–	–	–	2	–
PT-510-SS-SC-HV	–	–	1	8	–	–	–	–	2	–
PT-510-3S-SC-HV	–	–	1	7	–	–	–	–	3	–
PT-510-3S-SC-24	1	–	–	7	–	–	–	–	3	–
PT-510-3S-SC-48	–	1	–	7	–	–	–	–	3	–
PT-510-SS-LC-24	1	–	–	8	–	–	–	–	–	2
PT-510-SS-LC-48	–	1	–	8	–	–	–	–	–	2
PT-510-SS-LC-HV	–	–	1	8	–	–	–	–	–	2

Note: Additional switch configurations with 3 or 4 fiber ports are available upon special request.

Optional Accessories (can be purchased separately)

MXview: Moxa industrial network management software with 50, 100, 250, 500, 1000, or 2000 nodes

EDS-SNMP OPC Server Pro: OPC server software that works with all SNMP devices

ABC-01: Configuration backup and restoration tool for managed Ethernet switches, 0 to 60°C operating temperature

Package Checklist

- PT-510 switch
- RJ45-to-DB9 console port cable
- DIN-Rail kit or wall mount ears (optional)
- 1 grounding cable
- Protective caps for unused ports
- Documentation and software CD
- Hardware installation guide
- Warranty card

Tento produkt můžete zakoupit u společnosti AutoCont IPC a.s.



AutoCont IPC a.s.

Váš dodavatel průmyslových počítačů, komponent a speciálních průmyslových IT systémů.

 Uhlířská 1064/3, 710 00 Ostrava, Česká republika

 obchod@autocont-ipc.cz

 +420 552 301 002

 www.autocont-ipc.cz



PRŮMYSLOVÉ POČÍTAČE

fanless embedded PC, do racku, ...



POČÍTAČE S DISPLEJEM

panelové PC, terminály, do vozidel, ...



AUTOMATIZACE A SBĚR DAT

převodníky, karty, moduly, switche, ...



PERIFERIE A KOMPONENTY

monitory, klávesnice, desky, skříně, ...



NOTEBOOKY A TABLETY

odolné, windows, android, IP65, ...



INFORMAČNÍ KIOSKY

interiérové, venkovní, ...



MEDICÍNSKÁ TECHNIKA

počítače, tablety, LCD, klávesnice, ...



SOFTWAREVÁ ŘEŠENÍ

pro výrobu, zaměstnance, kiosky, ...



PŘEJÍT DO E-SHOPU

eshop.autocont-ipc.cz



DOPRAVA ZDARMA

Doprava zdarma v ČR a SR při objednávce nad 10 000 Kč bez DPH nebo nad 400 EUR.



PRODLOUŽENÁ ZÁRUKA

Záruka 2 roky na vyráběné počítače s možností jejího prodloužení až na 5 let.



ODMĚNA ZA VĚRNOST

Pravidelní zákazníci u nás nakupují za nižší ceny. Výše slevy se odvíjí od realizovaného obrátu.



SERVIS ON-SITE A IN-TIME

K projektovým dodávkám nabízíme rozšířenou podporu a servis s garancí výměny zařízení do 48 hodin.