

PTC-101 Series

IEC 61850-3 and EN 50155 Ethernet-to-fiber media converters



- > 10/100BaseT(X) auto-negotiation and auto-MDI/MDI-X
- > Link Fault Pass-Through (LFP)
- > Power failure alarm by relay output (LV model only)
- > -40 to 85°C operating temperature range
- > Redundant dual DC power inputs (LV model only)
- > Integrated high-reliability power supply eliminates the need for external power transformer
- > Compliant with EN 50121-4 and essential sections of EN 50155



Introduction

The PTC-101 Ethernet-to-fiber media converters convert from 10/100BaseT(X) to 100BaseFX. Models are available with either SC, ST, or LC connectors. The PTC-101 converters eliminate the need for additional wiring, and support IEEE 802.3 and IEEE 802.3u/x protocols

with 10/100M, full/half-duplex, and MDI/MDI-X auto-sensing to provide a total solution for your industrial Ethernet networks. The PTC-101 is compliant with the essential sections of EN 50155, covering operating temperature, power input voltage, surge, ESD and vibration.

Specifications

Technology

Standards:

IEEE 802.3 for 10BaseT

IEEE 802.3u for 100BaseT(X), 100BaseFX

Interface

RJ45 Ports: 10/100BaseT(X)

Fiber Ports: 100BaseFX (SC/ST/LC connectors)

LED Indicators: PWR1, PWR2, Fiber Link, 10/100M (TP port)

DIP Switches:

DIP No.	Function	ON	OFF
1	Auto Negotiation	Enable	Disable
2	Force TP Speed	100 Mbps	10 Mbps
3	Force TP Duplex	Full Duplex	Half Duplex
4	Link Fault Pass Through	Enable	Disable
5	Operating Mode	Store-and-Forward	Pass Through

The default setting for all DIP switches is ON.

Alarm Contact: One relay output with current carrying capacity of 1 A @ 24 VDC (LV model only)

Optical Fiber

	100BaseFX	
	Multi-mode	Single-mode
Wavelength	1300 nm	1310 nm
Max. TX	-14 dBm	0 dBm
Min. TX	-20 dBm	-5 dBm
RX Sensitivity	-32 dBm	-34 dBm
Link Budget	12 dB	29 dB
Typical Distance	5 km ^a 4 km ^b	40 km ^c
Saturation	-6 dBm	-3 dBm

- a. 50/125 μm, 800 MHz*km fiber optic cable
- b. 62.5/125 μm, 500 MHz*km fiber optic cable
- c. 9/125 μm, 3.5 PS/(nm*km) fiber optic cable

Physical Characteristics

Housing: Metal, IP30 protection

Dimensions: 152.15 x 123.46 x 66.65 mm (5.99 x 4.86 x 2.62 in)

Weight:

Product only: 690 g

Packaged: 875 g

Environmental Limits

Operating Temperature: -40 to 85°C (-40 to 185°F)

Storage Temperature: -40 to 85°C (-40 to 185°F)

Ambient Relative Humidity: 5 to 95% (non-condensing)

Conformal Coating: Available upon request

Power Requirements

Input Voltage:

Power Supply Type		Power Consumption	Fuse Rating
LV - DC	20 to 72 VDC	170 mA @ 20 VDC	3.15A(T) 2
HV - AC	85 to 264 VAC	73 mA @ 85 VAC	3.15A(T) 2
HV - DC	88 to 300 VDC	47 mA @ 88 VDC	3.15A(T) 2

LV-DC compliant with EN 50155 on 48VDC

HV-DC compliant with EN 50155 on 110VDC

Connection: Removable terminal block

Overload Current Protection: 1.6 A (protects against two signals shorted together)

Reverse Polarity Protection: Protects against V+/V- reversal

Standards and Certifications

Safety: UL 60950-1

EMC: CE, FCC

EMI: FCC Part 15 Subpart B Class A, EN 55022 Class A

EMS:

EN 61000-4-2 (ESD) Level 4,
 EN 61000-4-3 (RS) Level 3,
 EN 61000-4-4 (EFT) Level 4,
 EN 61000-4-5 (Surge) Level 4,
 EN 61000-4-6 (CS) Level 3,
 EN 61000-4-8 (PFMF) Level 5,
 EN 61000-4-11

Power Automation: IEC 61850-3, IEEE 1613

Rail Traffic: EN 50155, EN 50121-4

Freefall: IEC 60068-2-32

Vibration: IEC-61850-3, IEC-60870-2-2

Green Product: RoHS, CRoHS, WEEE

Note: Refer to the "Environmental Type Tests" table below for more detailed information.

MTBF (mean time between failures)

Time: 1,211,613 hrs

Database: Telcordia (Bellcore), GB

Warranty

Warranty Period: 5 years

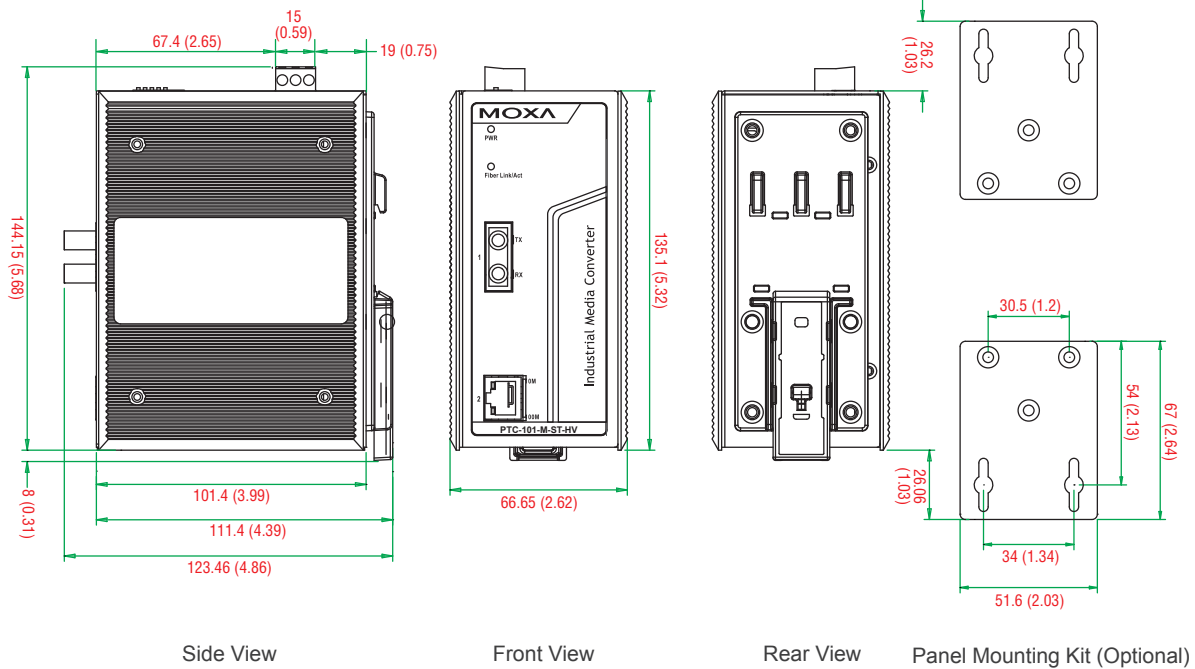
Details: See www.moxa.com/warranty

Environmental Type Tests			
Test	Description		Test Levels
IEC 60068-2-1	Cold, operating (power ON/OFF)	Test Ad	-40°C, 48 hours
IEC 60068-2-3	Damp heat, steady state, operating	Test Ca	85°C, 95% R.H., 24 hours
IEC 60068-2-14	Changing temperature, operating	Test Nb	-40 to 85°C, Ramp rate: 3°C/min, 8 cycles
IEC 60068-2-48 IEC 60068-2-1	Cold, storage	Test Ad	-40°C, 12 hours
IEC 60068-2-48 IEC 60068-2-3	Damp heat, steady state, storage	Test Ca	90°C, 95% R.H., 24 hours
IEC 60068-2-32 ISTA-2A	Freefall, package	Test Ed	90 cm
IEC 60068-2-34	Random vibration, package	Test Fd	3 grms (5 to 500 Hz)
IEC 61850-3 IEC 60870-2-2 IEC 60068-2-6 IEC 60721-3-3	Vibration, operating	Class Cm (3M6, 4M6)	20 m/s ² (9 to 200 Hz) 15 m/s ² (200 to 500 Hz)
IEC 61850-3 IEC 60870-2-2 IEC 60068-2-27 IEC 60721-3-3	Shock, operating	Class Cm (3M6, 4M6)	300 m/s ² , 11 ms

Dimensions

Unit: mm (inch)

PTC-101-M-ST-HV (other models available by request)



Ordering Information

Available Models

PTC-101-M-SC-LV: Industrial 10/100BaseT(X) to 100BaseFX media converter, multi-mode with SC connector, dual redundant power inputs (20-70 VDC), -40 to 85°C operating temperature

PTC-101-M-ST-LV: Industrial 10/100BaseT(X) to 100BaseFX media converter, multi-mode with ST connector, dual redundant power inputs (20-70 VDC), -40 to 85°C operating temperature

PTC-101-M-LC-LV: Industrial 10/100BaseT(X) to 100BaseFX media converter, multi-mode with LC connector, dual redundant power inputs (20-70 VDC), -40 to 85°C operating temperature

PTC-101-S-SC-LV: Industrial 10/100BaseT(X) to 100BaseFX media converter, single-mode with SC connector, dual redundant power inputs (20-70 VDC), -40 to 85°C operating temperature

PTC-101-S-LC-LV: Industrial 10/100BaseT(X) to 100BaseFX media converter, single-mode with LC connector, dual redundant power inputs (20-70 VDC), -40 to 85°C operating temperature

PTC-101-S-ST-LV: Industrial 10/100BaseT(X) to 100BaseFX media converter, single-mode with ST connector, dual redundant power inputs (20-70 VDC), -40 to 85°C operating temperature

PTC-101-M-SC-HV: Industrial 10/100BaseT(X) to 100BaseFX media converter, multi-mode with SC connector, 1 isolated power supply (88-300 VDC or 85-264 VAC), -40 to 85°C operating temperature

PTC-101-M-ST-HV: Industrial 10/100BaseT(X) to 100BaseFX media converter, multi-mode with ST connector, 1 isolated power supply (88-300 VDC or 85-264 VAC), -40 to 85°C operating temperature

PTC-101-M-LC-HV: Industrial 10/100BaseT(X) to 100BaseFX media converter, multi-mode with LC connector, 1 isolated power supply (88-300 VDC or 85-264 VAC), -40 to 85°C operating temperature

PTC-101-S-SC-HV: Industrial 10/100BaseT(X) to 100BaseFX media converter, single-mode with SC connector, 1 isolated power supply (88-300 VDC or 85-264 VAC), -40 to 85°C operating temperature

PTC-101-S-ST-HV: Industrial 10/100BaseT(X) to 100BaseFX media converter, single-mode with ST connector, 1 isolated power supply (88-300 VDC or 85-264 VAC), -40 to 85°C operating temperature

PTC-101-S-LC-HV: Industrial 10/100BaseT(X) to 100BaseFX media converter, single-mode with LC connector, 1 isolated power supply (88-300 VDC or 85-264 VAC), -40 to 85°C operating temperature

Conformal coating: Available upon request

Optional Accessories (can be purchased separately)

WK-51: Wall mounting kit

Package Checklist

- 1 PTC-101 media converter
- Hardware installation guide (printed)
- Warranty card

Tento produkt můžete zakoupit u společnosti AutoCont IPC a.s.



AutoCont IPC a.s.

Váš dodavatel průmyslových počítačů, komponent a speciálních průmyslových IT systémů.

 Uhlířská 1064/3, 710 00 Ostrava, Česká republika

 obchod@autocont-ipc.cz

 +420 552 301 002

 www.autocont-ipc.cz



PRŮMYSLOVÉ POČÍTAČE

fanless embedded PC, do racku, ...



POČÍTAČE S DISPLEJEM

panelové PC, terminály, do vozidel, ...



AUTOMATIZACE A SBĚR DAT

převodníky, karty, moduly, switche, ...



PERIFERIE A KOMPONENTY

monitory, klávesnice, desky, skříně, ...



NOTEBOOKY A TABLETY

odolné, windows, android, IP65, ...



INFORMAČNÍ KIOSKY

interiérové, venkovní, ...



MEDICÍNSKÁ TECHNIKA

počítače, tablety, LCD, klávesnice, ...



SOFTWAREVÁ ŘEŠENÍ

pro výrobu, zaměstnance, kiosky, ...



PŘEJÍT DO E-SHOPU

eshop.autocont-ipc.cz



DOPRAVA ZDARMA

Doprava zdarma v ČR a SR při objednávce nad 10 000 Kč bez DPH nebo nad 400 EUR.



PRODLOUŽENÁ ZÁRUKA

Záruka 2 roky na vyráběné počítače s možností jejího prodloužení až na 5 let.



ODMĚNA ZA VĚRNOST

Pravidelní zákazníci u nás nakupují za nižší ceny. Výše slevy se odvíjí od realizovaného obrátu.



SERVIS ON-SITE A IN-TIME

K projektovým dodávkám nabízíme rozšířenou podporu a servis s garancí výměny zařízení do 48 hodin.