

IMC-101 Series

Industrial 10/100BaseT(X) to 100BaseFX media converters



- > 10/100BaseT(X) auto-negotiation and auto-MDI/MDI-X
- > Link Fault Pass-Through (LFP)
- > Power failure, port break alarm by relay output
- > Redundant power inputs
- > -40 to 75°C operating temperature range (T models)
- > Designed for hazardous locations (Class 1 Div. 2/Zone 2)



Introduction

The IMC-101 industrial media converters provide industrial-grade media conversion between 10/100BaseT(X) and 100BaseFX (SC/ST connectors). The IMC-101 converters' reliable industrial design is excellent for keeping your industrial automation applications running continuously, and each IMC-101 converter comes with a relay output warning alarm to help prevent damage and loss. The IMC-101 media converters are designed for harsh industrial environments, such

as in hazardous locations (Class 1, Division 2/Zone 2, DNV, and GL Certification), and comply with FCC, TV, UL, and CE standards. The IMC-101 series is available in models that support an operating temperature from 0 to 60°C, and an extended operating temperature from -40 to 75°C. All IMC-101 series converters are subjected to a 100% burn-in test.

Specifications

Technology

Standards:

IEEE 802.3 for 10BaseT

IEEE 802.3u for 100BaseT(X) and 100BaseFX

Interface

RJ45 Ports: 10/100BaseT(X)

Fiber Ports: 100BaseFX (SC/ST connectors)

LED Indicators: PWR1, PWR2, FAULT, 10/100M (TP port), 100M (Fiber port), FD/ST (Fiber port)

DIP Switches: 100BaseFX Full/Half duplex selection, port break alarm mask

Alarm Contact: One relay output with current carrying capacity of 1 A @ 24 VDC

Optical Fiber

	100BaseFX		
	Multi-mode	Single-mode	Single-mode, 80 km
Wavelength	1300 nm	1310 nm	1550 nm
Max. TX	-10 dBm	0 dBm	0 dBm
Min. TX	-20 dBm	-5 dBm	-5 dBm
RX Sensitivity	-32 dBm	-34 dBm	-34 dBm
Link Budget	12 dB	29 dB	29 dB
Typical Distance	5 km ^a 4 km ^b	40 km ^c	80 km ^d
Saturation	-6 dBm	-3 dBm	-3 dBm

- a. 50/125 μm, 800 MHz*km fiber optic cable
- b. 62.5/125 μm, 500 MHz*km fiber optic cable
- c. 9/125 μm, 3.5 PS/(nm*km) fiber optic cable
- d. 9/125 μm, 19 PS/(nm*km) fiber optic cable

Physical Characteristics

Housing: Metal, IP30 protection

Dimensions: 53.6 x 135 x 105 mm (2.11 x 5.31 x 4.13 in)

Weight: 630 g

Installation: DIN-Rail mounting, wall mounting (with optional kit)

Environmental Limits

Operating Temperature:

Standard Models: 0 to 60°C (32 to 140°F)

Wide Temp. Models: -40 to 75°C (-40 to 167°F)

Storage Temperature: -40 to 85°C (-40 to 185°F)

Ambient Relative Humidity: 5 to 95% (non-condensing)

Power Requirements

Input Voltage: 24 VDC (12 to 45 VDC), redundant inputs

Input Current: 160 mA @ 24 VDC

Connection: Removable terminal block

Overload Current Protection: 1.1 A

Reverse Polarity Protection: Present

Standards and Certifications

Safety: UL 508, UL 60950-1, EN 60950-1

Hazardous Location: UL/cUL Class I Division 2 Groups A/B/C/D, ATEX Zone 2 Ex nC IIC

EMC: CE, FCC

EMI: FCC Part 15 Subpart B Class A, EN 55022 Class A

EMS:

EN 61000-4-2 (ESD) Level 3,
 EN 61000-4-3 (RS) Level 3,
 EN 61000-4-4 (EFT) Level 3,
 EN 61000-4-5 (Surge) Level 2,
 EN 61000-4-6 (CS) Level 3,
 EN 61000-4-8,
 EN 61000-4-11

Marine: DNV, GL

Shock: IEC 60068-2-27

Freefall: IEC 60068-2-32

Vibration: IEC 60068-2-6

Green Product: RoHS, CRoHS, WEEE

MTBF (mean time between failures)

Time: 401,000 hrs

Database: MIL-HDBK-217F, GB 25°C

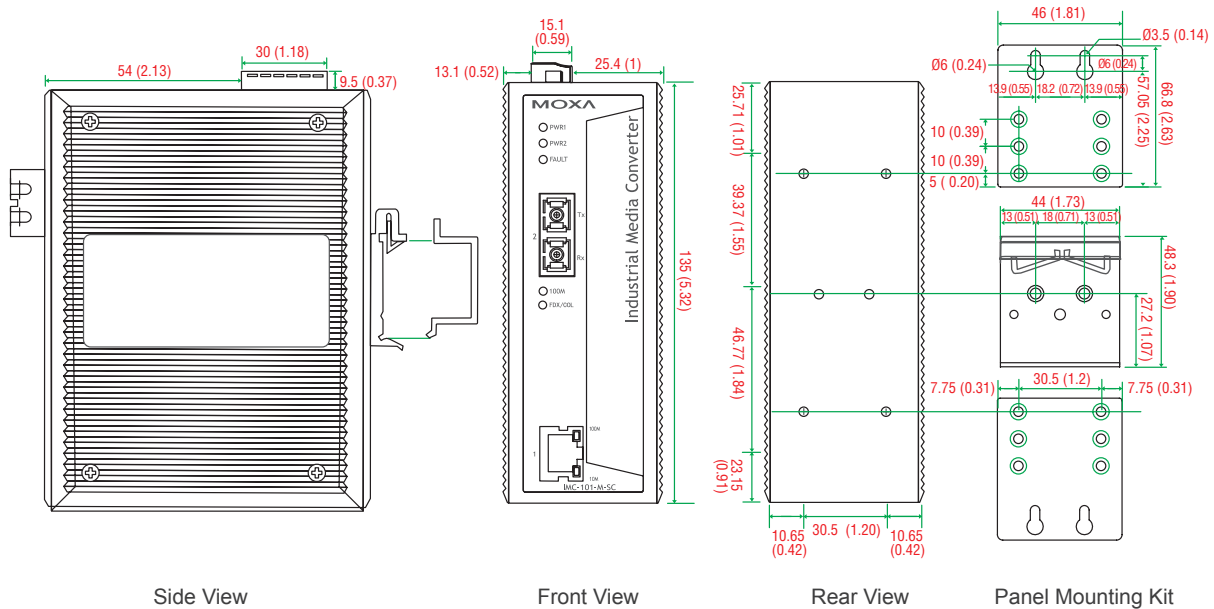
Warranty

Warranty Period: 5 years

Details: See www.moxa.com/warranty

Dimensions

Unit: mm (inch)



Ordering Information

Available Models

IMC-101-M-SC: Industrial 10/100BaseT(X) to 100BaseFX media converter, multi mode, SC connector, 0 to 60°C operating temperature

IMC-101-M-ST: Industrial 10/100BaseT(X) to 100BaseFX media converter, multi mode, ST connector, 0 to 60°C operating temperature

IMC-101-S-SC: Industrial 10/100BaseT(X) to 100BaseFX media converter, single mode, SC connector, 40 km, 0 to 60°C operating temperature

IMC-101-S-SC-80: Industrial 10/100BaseT(X) to 100BaseFX media converter, single mode, SC connector, 80 km, 0 to 60°C operating temperature

IMC-101-M-SC-T: Industrial 10/100BaseT(X) to 100BaseFX media converter, multi mode, SC connector, -40 to 75°C operating temperature

IMC-101-M-ST-T: Industrial 10/100BaseT(X) to 100BaseFX media converter, multi mode, ST connector, -40 to 75°C operating temperature

IMC-101-S-SC-T: Industrial 10/100BaseT(X) to 100BaseFX media converter, single mode, SC connector, 40 km, -40 to 75°C operating temperature

IMC-101-S-SC-80-T: Industrial 10/100BaseT(X) to 100BaseFX media converter, single mode, SC connector, 80 km, -40 to 75°C operating temperature

Optional Accessories (can be purchased separately)

DR-4524: 45W/2A DIN-Rail 24 VDC power supply, 85 to 264 VAC input

DR-75-24: 75W/3.2A DIN-Rail 24 VDC power supply, 85 to 264 VAC input

DR-120-24: 120W/5A DIN-Rail 24 VDC power supply, 88 to 132 VAC/176 to 264 VAC input by switch

WK-46: Wall mounting kit

RK-4U: 4U-high 19" rack mounting kit

SC to ST Connectors: See Appendix A

Package Checklist

- 1 IMC-101 media converter
- Quick installation guide (printed)
- Warranty card

Tento produkt můžete zakoupit u společnosti AutoCont IPC a.s.



AutoCont IPC a.s.

Váš dodavatel průmyslových počítačů, komponent a speciálních průmyslových IT systémů.

 Uhlířská 1064/3, 710 00 Ostrava, Česká republika

 obchod@autocont-ipc.cz

 +420 552 301 002

 www.autocont-ipc.cz



PRŮMYSLOVÉ POČÍTAČE

fanless embedded PC, do racku, ...



POČÍTAČE S DISPLEJEM

panelové PC, terminály, do vozidel, ...



AUTOMATIZACE A SBĚR DAT

převodníky, karty, moduly, switche, ...



PERIFERIE A KOMPONENTY

monitory, klávesnice, desky, skříně, ...



NOTEBOOKY A TABLETY

odolné, windows, android, IP65, ...



INFORMAČNÍ KIOSKY

interiérové, venkovní, ...



MEDICÍNSKÁ TECHNIKA

počítače, tablety, LCD, klávesnice, ...



SOFTWAREVÁ ŘEŠENÍ

pro výrobu, zaměstnance, kiosky, ...



PŘEJÍT DO E-SHOPU

eshop.autocont-ipc.cz



DOPRAVA ZDARMA

Doprava zdarma v ČR a SR při objednávce nad 10 000 Kč bez DPH nebo nad 400 EUR.



PRODLOUŽENÁ ZÁRUKA

Záruka 2 roky na vyráběné počítače s možností jejího prodloužení až na 5 let.



ODMĚNA ZA VĚRNOST

Pravidelní zákazníci u nás nakupují za nižší ceny. Výše slevy se odvíjí od realizovaného obrátu.



SERVIS ON-SITE A IN-TIME

K projektovým dodávkám nabízíme rozšířenou podporu a servis s garancí výměny zařízení do 48 hodin.