

# NPort® 5200 Series

## 2-port RS-232/422/485 serial device servers



- > Small size for easy installation
- > Versatile socket operation modes, including TCP Server, TCP Client, and UDP
- > Easy-to-use Windows utility for configuring multiple device servers
- > Supports 10/100M Ethernet
- > Patented ADDC® (Automatic Data Direction Control) for 2-wire and 4-wire RS-485
- > Built-in 15 KV ESD protection for all serial signals
- > SNMP MIB-II for network management

See also NPort 5200A, p.8-26



### Standard TCP/IP Protocols and Choice of Operation Modes

NPort® 5200 device servers can operate in TCP Server, TCP Client, or UDP operation mode, ensuring compatibility with software based on a

standard network API (Winsoc, BSD Sockets).

### Real COM/TTY Drivers for Existing Software

With the Real COM/TTY drivers that are provided with each NPort®, software designed for communication with COM/TTY ports can be instantly and seamlessly integrated into a TCP/IP network. This is an

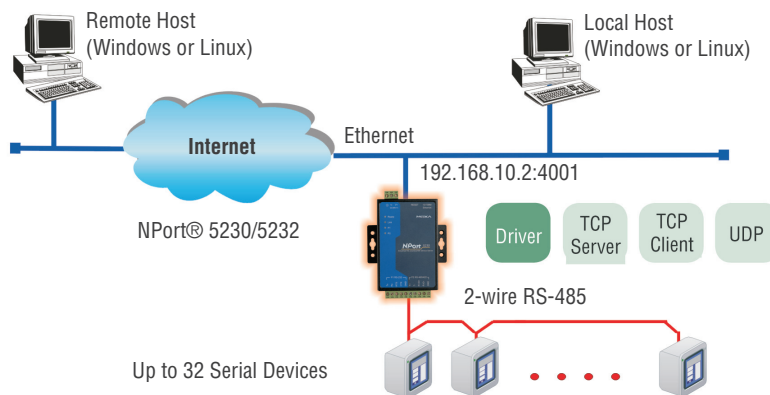
excellent “no fuss” way to preserve your software investment and enjoy the benefits of networking your serial devices.

### Control Remote Serial Devices with TCP/IP or Traditional COM/TTY Port

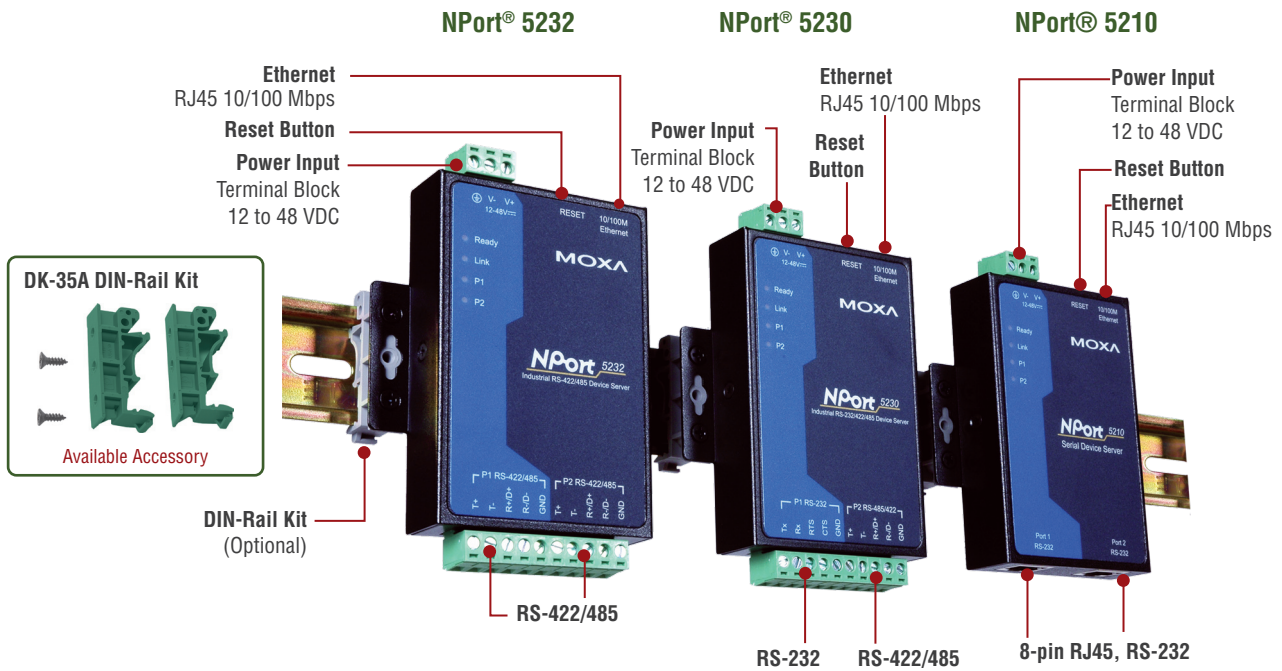
By specifying the NPort® 5200's IP address and port number, a network sockets API can obtain access to the attached serial device over the network, from any host computer that supports TCP/IP. For

legacy Windows or Linux software that is COM or TTY-based, Moxa's COM/TTY drivers provide a seamless way of operating over the network.

### COM Driver or Network Socket Operation



**Appearance**



**Specifications**

**Ethernet Interface**

**Number of Ports:** 1  
**Speed:** 10/100 Mbps, auto MDI/MDIX  
**Connector:** 8-pin RJ45  
**Magnetic Isolation Protection:** 1.5 KV built-in

**Serial Interface**

**Number of Ports:** 2  
**Serial Standards:**  
 NPort 5210: RS-232  
 NPort 5230: 1 RS-232 port, 1 RS-422/485 port  
 NPort 5232/5232I: RS-422/485

**Connector:**  
 NPort 5210: RJ45 (8 pins)  
 NPort 5230/5232/5232I: Terminal Block (5 contacts per port)

**Serial Line Protection:**  
 15 KV ESD protection for all signals  
 2 KV isolation protection (NPort 5232I/5232I-T)

**RS-485 Data Direction Control:** ADDC® (automatic data direction control)

**Serial Communication Parameters**

**Data Bits:** 5, 6, 7, 8  
**Stop Bits:** 1, 1.5, 2  
**Parity:** None, Even, Odd, Space, Mark  
**Flow Control:** RTS/CTS (RS-232 only), DTR/DSR (NPort 5210 only), XON/XOFF

**Baudrate:** 110 bps to 230.4 Kbps

**Serial Signals**

**RS-232:**  
 NPort 5210: TxD, RxD, RTS, CTS, DTR, DSR, DCD, GND  
 NPort 5230: TxD, RxD, RTS, CTS, GND  
**RS-422:** Tx+, Tx-, Rx+, Rx-, GND  
**RS-485-4w:** Tx+, Tx-, Rx+, Rx-, GND  
**RS-485-2w:** Data+, Data-, GND

**Software**

**Network Protocols:** ICMP, IP, TCP, UDP, DHCP, BOOTP, Telnet, DNS, SNMP V1, HTTP, SMTP, SMTP

**Configuration Options:** Web Console, Serial Console (NPort 5210/5230 only), Telnet Console, Windows Utility

**Windows Real COM Drivers:** Windows 95/98/ME/NT/2000, Windows XP/2003/Vista/2008/7 x86/x64, Embedded CE 5.0/6.0, XP Embedded  
**Fixed TTY Drivers:** SCO Unix, SCO OpenServer, UnixWare 7, UnixWare 2.1, SVR 4.2, QNX 4.25, QNX 6, Solaris 10, FreeBSD, AIX 5.x, HP-UX 11i

**Linux Real TTY Drivers:** Linux kernel 2.4.x, 2.6.x

**Physical Characteristics**

**Housing:** Metal, IP30 protection

**Weight:**  
 NPort 5210: 340 g  
 NPort 5230/5232: 360 g  
 NPort 5232I: 380 g

**Dimensions:**  
 NPort 5210/5230/5232:  
 Without ears: 67 x 100.4 x 22 mm (2.64 x 3.95 x 0.87 in)  
 With ears: 90 x 100.4 x 22 mm (3.54 x 3.95 x 0.87 in)  
 NPort 5232I:  
 Without ears: 67 x 100.4 x 35 mm (2.64 x 3.95 x 1.37 in)  
 With ears: 90 x 100.4 x 35 mm (3.54 x 3.95 x 1.37 in)

**Environmental Limits**

**Operating Temperature:**  
 Standard Models: 0 to 55°C (32 to 131°F)  
 Wide Temp. Models: -40 to 75°C (-40 to 167°F)  
**Storage Temperature:** -40 to 85°C (-40 to 185°F)  
**Ambient Relative Humidity:** 5 to 95% (non-condensing)

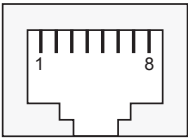
**Power Requirements**

**Input Voltage:** 12 to 48 VDC  
**Power Consumption:**  
 NPort 5210: 325 mA @ 12 V, 190 mA @ 24 V  
 NPort 5230: 325 mA @ 12 V, 190 mA @ 24 V  
 NPort 5232: 280 mA @ 12 V, 150 mA @ 24 V  
 NPort 5232I: 509.4 mA @ 12 V, 200 mA @ 24 V



## Pin Assignment

### 8-pin RJ45 connector

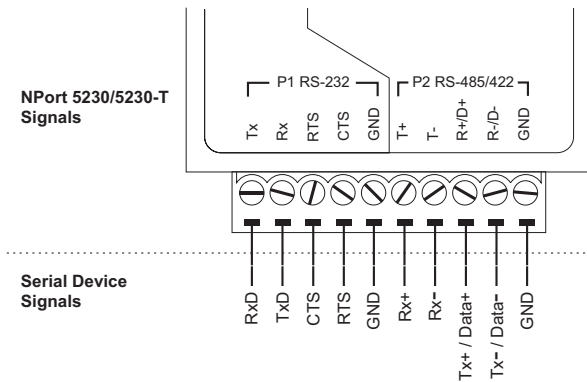


### NPort® 5210/5210-T (RS-232)

PIN	RS-232
1	DSR (in)
2	RTS (out)
3	GND
4	TxD (out)
5	RxD (in)
6	DCD (in)
7	CTS (in)
8	DTR (out)

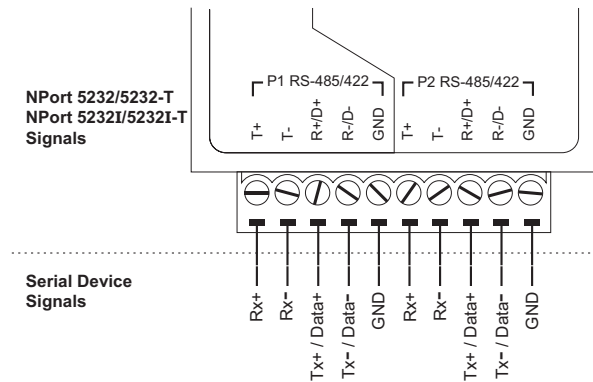
### NPort® 5230/5230-T

(RS-232/422/485, terminal block connector)



### NPort® 5232/5232I/5232-T/5232I-T

(RS-422/485, terminal block connector)



## Ordering Information

### Available Models

- NPort 5210:** 2-port RS-232 device server, 0 to 55°C operating temperature
- NPort 5230:** 2-port device server with 1 RS-232 port and 1 RS-422/485 port, 0 to 55°C operating temperature
- NPort 5232:** 2-port RS-422/485 device server, 0 to 55°C operating temperature
- NPort 5232I:** 2-port RS-422/485 device server with 2 KV optical isolation, 0 to 55°C operating temperature
- NPort 5210-T:** 2-port RS-232 device server, -40 to 75°C operating temperature
- NPort 5230-T:** 2-port device server with 1 RS-232 port and 1 RS-422/485 port, -40 to 75°C operating temperature
- NPort 5232-T:** 2-port RS-422/485 device server, -40 to 75°C operating temperature
- NPort 5232I-T:** 2-port RS-422/485 device server with 2 KV optical isolation, -40 to 75°C operating temperature

### Optional Accessories (can be purchased separately)

- DK-35A:** Mounting Kit for 35-mm DIN-Rail
- DIN-Rail Power Supply:** See page A-8 for details

### Package Checklist

- NPort 5200 device server
- Power jack to a 3-pin terminal block adaptor
- Documentation and software CD
- Quick installation guide (printed)
- Warranty card

# Tento produkt můžete zakoupit u společnosti AutoCont IPC a.s.



## AutoCont IPC a.s.

Váš dodavatel průmyslových počítačů, komponent a speciálních průmyslových IT systémů.

 Uhlířská 1064/3, 710 00 Ostrava, Česká republika

 obchod@autocont-ipc.cz

 +420 552 301 002

 [www.autocont-ipc.cz](http://www.autocont-ipc.cz)



### PRŮMYSLOVÉ POČÍTAČE

fanless embedded PC, do racku, ...



### POČÍTAČE S DISPLEJEM

panelové PC, terminály, do vozidel, ...



### AUTOMATIZACE A SBĚR DAT

převodníky, karty, moduly, switche, ...



### PERIFERIE A KOMPONENTY

monitory, klávesnice, desky, skříně, ...



### NOTEBOOKY A TABLETY

odolné, windows, android, IP65, ...



### INFORMAČNÍ KIOSKY

interiérové, venkovní, ...



### MEDICÍNSKÁ TECHNIKA

počítače, tablety, LCD, klávesnice, ...



### SOFTWAREVÁ ŘEŠENÍ

pro výrobu, zaměstnance, kiosky, ...



### PŘEJÍT DO E-SHOPU

[eshop.autocont-ipc.cz](http://eshop.autocont-ipc.cz)



### DOPRAVA ZDARMA

Doprava zdarma v ČR a SR při objednávce nad 10 000 Kč bez DPH nebo nad 400 EUR.



### PRODLOUŽENÁ ZÁRUKA

Záruka 2 roky na vyráběné počítače s možností jejího prodloužení až na 5 let.



### ODMĚNA ZA VĚRNOST

Pravidelní zákazníci u nás nakupují za nižší ceny. Výše slevy se odvíjí od realizovaného obrátu.



### SERVIS ON-SITE A IN-TIME

K projektovým dodávkám nabízíme rozšířenou podporu a servis s garancí výměny zařízení do 48 hodin.