



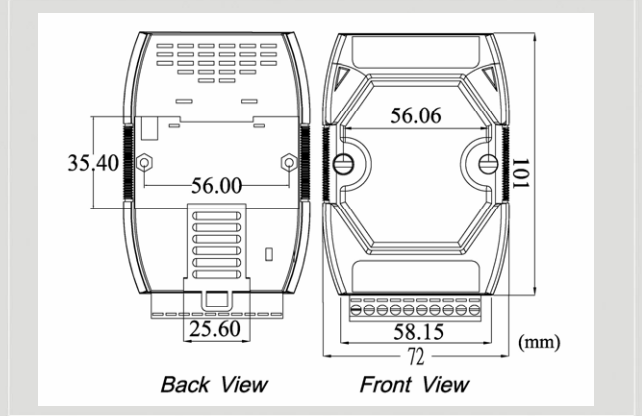
CAN Series Products



High Performance USB to 2-port CAN bus Converter



I-7565-H2



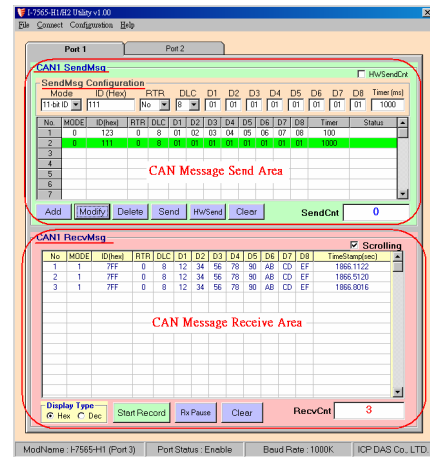
Dimensions

I-7565-H2 is a high performance intelligent USB to CAN converter and provides two CAN channels. It provides faster CAN bus communication performance than I-7565. I-7565-H2 supports CAN2.0A/2.0B protocol and different baud rates from 5 Kbps to 1 Mbps. The important feature of I-7565-H2 is to support the user-defined baud rate function no matter what the baud rate is. When connecting I-7565-H2 to PC, PC will load the relevant device driver automatically (hot plug & play). Therefore, users can make data collection and processing of CAN bus network easier and quicker by applying I-7565-H2.

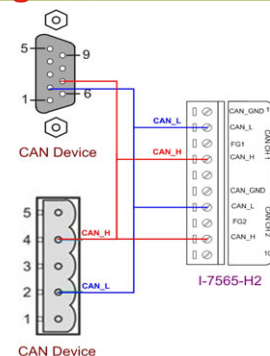
Features

- RoHS design
- Fully compliant with USB 1.1/2.0(Full Speed)
- Fully compatible with the ISO 11898-2 standard
- Support both CAN 2.0A and CAN 2.0B
- Powered by the USB bus
- Integrated with two CAN bus channels
- Programmable CAN bus baud rate from 5Kbps to 1Mbps or user-defined baud rate
- Support CAN bus acceptance filter configuration
- Time-stamp of CAN message with ±1ms precision
- Support firmware update via USB
- Provide API library for user program development
- Built-in jumper to select 120 ohm terminal resistor
- PWR / RUN / ERR indicator for CAN and USB
- Watchdog inside
- Support Windows 2000/XP, Win7(32 & 64 bit), Linux and WinCE (available soon)

- Provide sending CAN message by using the internal timer of module for high precision transmission
- Check / Reset module status remotely and get current CAN bus message flow



Wire Assignments



Utility Features

- Provide CAN bus user-defined baud rate / acceptance filter configuration
- Easily transmit/ receive CAN messages for testing and display time-stamp of each received CAN message
- Provide saving the CAN message as "TXT" file for data log

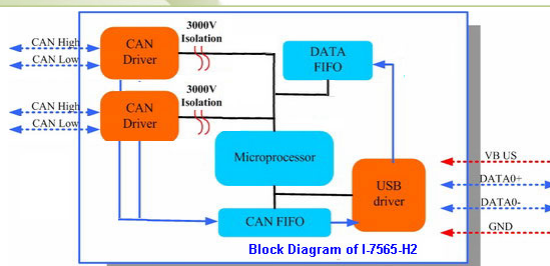
Hardware Specifications

Hardware	
CAN Port Channels	2
CAN Interface	
Controller	Microprocessor inside with 72MHz
Transceiver	NXP 82C250
Connector	10-pin terminal-block connector
Baud Rate (bps)	5K ~ 1Mbps or User-defined baud rate
Transmission Distance (m)	Depends on baud rate (for example, max. 1000 m at 50 kbps)
Isolation	3000V _{DC} for DC-to-DC, 2500V _{rms} for photo-couple
Terminator Resistor	Selectable 120Ω terminator resistor by jumper
Specification	ISO-11898-2, CAN 2.0A and CAN 2.0B
Pin Assignment	(CAN1: CAN_H=4, CAN_L=2) / (CAN2: CAN_H=9, CAN_L=7)
Receive Buffer	128 data frames for each CAN port
Max Data Flow	3000 fps for total CAN ports
USB Interface	
Connector	USB Type B
Transmission speed	12M bps
Specification	USB 1.1 and USB 2.0 standard
Receive Buffer	100 data frames
LED	
Round LED	PWR / RUN /ERR LED
Software	
Driver	Windows 2000/XP, Win7(32 & 64 bit), Linux and WinCE (available soon)
Power	
Power supply	By USB interface
Power Consumption	1.5 W
Dip Switch	Init (Firmware Update) / Normal (Firmware Operation)
Mechanism	
Installation	DIN-Rail
Dimensions	108mm x 72mm x 35mm (H x W x D)
Environment	
Operating Temp.	-25 ~ 75 °C
Storage Temp.	-30 ~ 80 °C
Humidity	10 ~ 90% RH, non-condensing

Application



Block Diagram



Ordering Information

I-7565-H2 CR	High Performance Intelligent USB to 2-port CAN bus converter (RoHS)
---------------------	---

Tento produkt můžete zakoupit u společnosti AutoCont IPC a.s.



AutoCont IPC a.s.

Váš dodavatel průmyslových počítačů, komponent a speciálních průmyslových IT systémů.

 Uhlířská 1064/3, 710 00 Ostrava, Česká republika

 obchod@autocont-ipc.cz

 +420 552 301 002

 www.autocont-ipc.cz



PRŮMYSLOVÉ POČÍTAČE

fanless embedded PC, do racku, ...



POČÍTAČE S DISPLEJEM

panelové PC, terminály, do vozidel, ...



AUTOMATIZACE A SBĚR DAT

převodníky, karty, moduly, switche, ...



PERIFERIE A KOMPONENTY

monitory, klávesnice, desky, skříně, ...



NOTEBOOKY A TABLETY

odolné, windows, android, IP65, ...



INFORMAČNÍ KIOSKY

interiérové, venkovní, ...



MEDICÍNSKÁ TECHNIKA

počítače, tablety, LCD, klávesnice, ...



SOFTWAREVÁ ŘEŠENÍ

pro výrobu, zaměstnance, kiosky, ...



PŘEJÍT DO E-SHOPU

eshop.autocont-ipc.cz



DOPRAVA ZDARMA

Doprava zdarma v ČR a SR při objednávce nad 10 000 Kč bez DPH nebo nad 400 EUR.



PRODLOUŽENÁ ZÁRUKA

Záruka 2 roky na vyráběné počítače s možností jejího prodloužení až na 5 let.



ODMĚNA ZA VĚRNOST

Pravidelní zákazníci u nás nakupují za nižší ceny. Výše slevy se odvíjí od realizovaného obrátu.



SERVIS ON-SITE A IN-TIME

K projektovým dodávkám nabízíme rozšířenou podporu a servis s garancí výměny zařízení do 48 hodin.