



Features

- 4-channel Analog Output
- 5-channel Digital Input for I-7024R/M-7024R
- Software Selectable Current or Voltage Output
- 14-bit Resolution
- Power-on Value Setting
- Safe Value Setting
- 3000 Vdc Intra-Module Isolation
- Programmable Output Slope
- Dual Watchdog
- Wide Operating Temperature Range: -25 ~ +75°C



Introduction

The I-7024 is a 14-bit 4-channel analog output module that provides current and voltage outputs. There are options for power-on values and safe values. It features 3000 Vdc intra-module isolation.

The I-7024R is the same as the I-7024 and provides additional 5-channel digital inputs and 4 KV ESD protection on each terminal.

The M-7024/M-7024R support Modbus RTU and DCON protocols and can be configured via software. Their hardware specifications are the same as those of the I-7024/I-7024R.

Applications

Building Automation, Factory Automation, Machine Automation, Remote Maintenance, Remote Diagnosis, Testing Equipment.

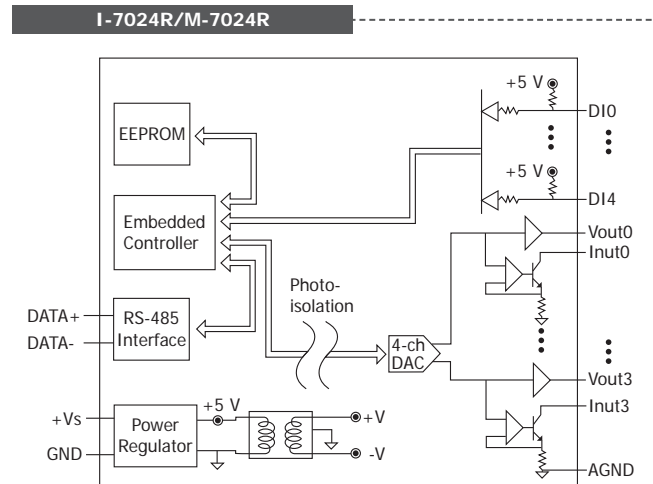
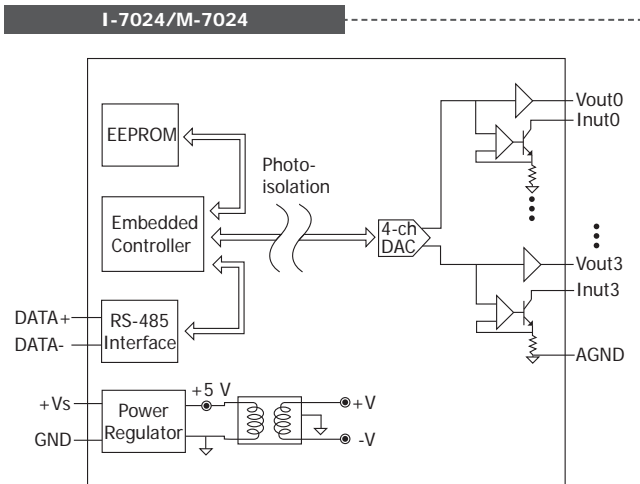
System Specifications

| Models | I-7024 | M-7024 | I-7024R | M-7024R |
|--|---|------------------|----------------------|------------------|
| Communication | | | | |
| Interface | RS-485 | | | |
| Format | (N, 8, 1) (N, 8, 2) (E, 8, 1) (O, 8, 1) | | | |
| Baud Rate | 1200 ~ 115200 bps | | | |
| Protocol | DCON | Modbus RTU, DCON | DCON | Modbus RTU, DCON |
| Dual Watchdog | Yes, Module (1.6 Seconds), Communication (Programmable) | | | |
| LED Indicator/Display | | | | |
| System LED Indicator | Yes, 1 LED as Power/Communication Indicator | | | |
| I/O LED Indicator | - | | | |
| 7-Segment LED Display | - | | | |
| Isolation | | | | |
| Intra-Module Isolation, Field-to-Logic | 3000 Vdc | | | |
| EMS Protection | | | | |
| ESD (IEC 61000-4-2) | +/-2 kV | | +/-4 kV | |
| EFT (IEC 61000-4-4) | - | | +/-4 kV | |
| RS (IEC 61000-4-3) | - | | 5 V/m, 80 MHz ~ 1GHz | |
| Power | | | | |
| Reverse Polarity Protection | Yes | | | |
| Input Range | 10 ~ 30 Vdc | | | |
| Consumption | 2.4 W | | 3.2 W | |
| Mechanical | | | | |
| Dimensions (W x L x H) | 72 mm x 123 mm x 35 mm | | | |
| Installation | DIN-Rail or Wall Mounting | | | |
| Environment | | | | |
| Operating Temperature | -25 ~ +75°C | | | |
| Storage Temperature | -40 ~ +85°C | | | |
| Humidity | 10 ~ 95% RH, Non-condensing | | | |

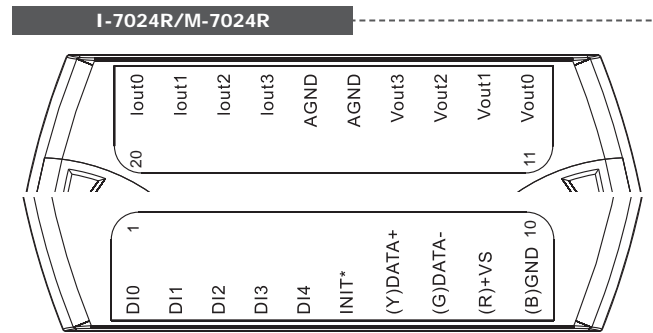
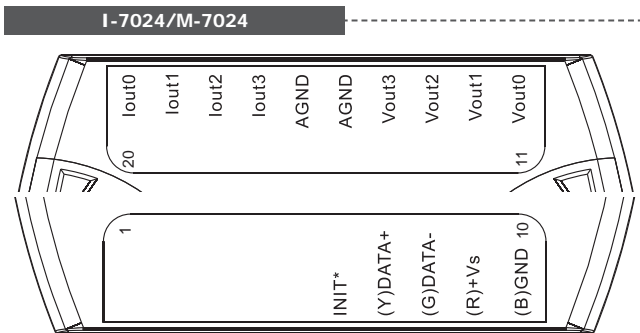
I/O Specifications

| Models | I-7024 | M-7024 | I-7024R | M-7024R |
|--|---|--------|---------|----------------|
| Analog Output | | | | |
| Channels | 4 | | | |
| Range | 0 ~ 5 V, +/- 5 V, 0 ~ 10 V, +/- 10 V, 0 ~ 20 mA, 4 ~ 20 mA | | | |
| Resolution | 14-bit | | | |
| Accuracy | 0.1% | | | |
| DA Output Response Time | 10 ms | | | |
| Open Wire Detection (for current only) | - | | | |
| Channel to Channel Isolation | - | | | |
| Power-on Value | Yes | | | |
| Safe Value | Yes | | | |
| Digital Input | | | | |
| Channels | - | | 5 | |
| Input Type | - | | | |
| Contact Level | On Voltage Level | - | | Close to GND |
| | Off Voltage Level | - | | Open |
| Counters | Max. Count | - | | 65535 (16-bit) |
| | Max. Input Frequency | - | | 50 Hz |
| | Min. Pulse Width | - | | 10 ms |

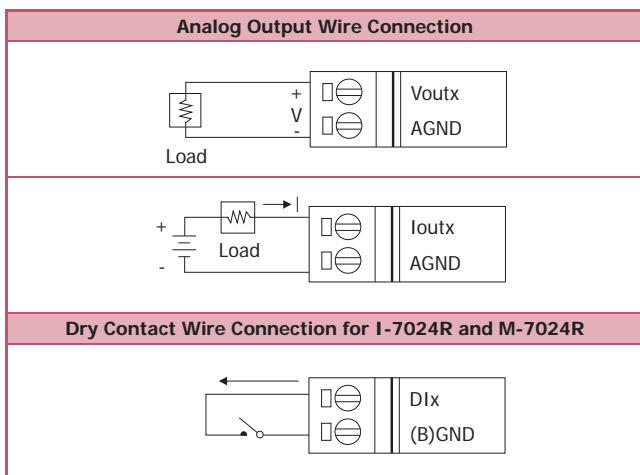
Internal I/O Structure



Pin Assignments



Wire Connections



Ordering Information

| | |
|---------------------|---|
| I-7024 CR | 4-channel Analog Output Module with DCON Protocol (Blue Cover) (RoHS) |
| I-7024-G CR | 4-channel Analog Output Module with DCON Protocol (Gray Cover) (RoHS) |
| I-7024R-G CR | 4-channel Analog Output and 5-channel DI Module with DCON Protocol (Gray Cover) (RoHS) |
| M-7024-G CR | 4-channel Analog Output Module with DCON and Modbus Protocol (Gray Cover) (RoHS) |
| M-7024R-G CR | 4-channel Analog Output and 5-channel DI Module with DCON and Modbus Protocol (Gray Cover) (RoHS) |

Accessories

| | | |
|--|-------------|--|
| | tM-7520U CR | RS-232 to RS-485 converter (RoHS) |
| | tM-7561 CR | USB to RS-485 converter (RoHS) |
| | tM-SG4 CR | RS-485 Pull-high/Pull-low and Termination Resistor Module (RoHS) |

| | | |
|--|----------------|--|
| | I-7514U CR | 4-channel RS-485 Hub (RoHS) |
| | SG-770 CR | 7 channel differential or 14 channel single-ended surge protector (RoHS) |
| | SG-3000 series | Signal Conditioning Modules for Thermocouple, RTD, DC Voltage, DC Current and Power Inputs |

2
3
RS-485 Remote I/O Modules

I-7024(R)/M-7024(R)

Tento produkt můžete zakoupit u společnosti AutoCont IPC a.s.



AutoCont IPC a.s.

Váš dodavatel průmyslových počítačů, komponent a speciálních průmyslových IT systémů.

 Uhlířská 1064/3, 710 00 Ostrava, Česká republika

 obchod@autocont-ipc.cz

 +420 552 301 002

 www.autocont-ipc.cz



PRŮMYSLOVÉ POČÍTAČE

fanless embedded PC, do racku, ...



POČÍTAČE S DISPLEJEM

panelové PC, terminály, do vozidel, ...



AUTOMATIZACE A SBĚR DAT

převodníky, karty, moduly, switche, ...



PERIFERIE A KOMPONENTY

monitory, klávesnice, desky, skříně, ...



NOTEBOOKY A TABLETY

odolné, windows, android, IP65, ...



INFORMAČNÍ KIOSKY

interiérové, venkovní, ...



MEDICÍNSKÁ TECHNIKA

počítače, tablety, LCD, klávesnice, ...



SOFTWAREVÁ ŘEŠENÍ

pro výrobu, zaměstnance, kiosky, ...



PŘEJÍT DO E-SHOPU

eshop.autocont-ipc.cz



DOPRAVA ZDARMA

Doprava zdarma v ČR a SR při objednávce nad 10 000 Kč bez DPH nebo nad 400 EUR.



PRODLOUŽENÁ ZÁRUKA

Záruka 2 roky na vyráběné počítače s možností jejího prodloužení až na 5 let.



ODMĚNA ZA VĚRNOST

Pravidelní zákazníci u nás nakupují za nižší ceny. Výše slevy se odvíjí od realizovaného obrátu.



SERVIS ON-SITE A IN-TIME

K projektovým dodávkám nabízíme rozšířenou podporu a servis s garancí výměny zařízení do 48 hodin.